

4.2.1 2/2-WAY VALVE WITH PLASTIC ACTUATOR

TECHNICAL DATA

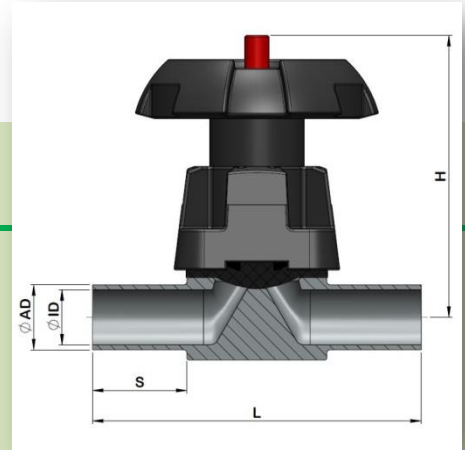
Standard sizes	<ul style="list-style-type: none"> • DIN DN04 - DIN DN50 • ISO DN08 - ISO DN150 • BSOD 1/4" - 6" • other dimensions on request
Material	<p>Medium contacted:</p> <ul style="list-style-type: none"> • 1.4435 BN2 (316L) • 1.4404 (316L) • Special materials e.g. Hastelloy, Titan, 1.4539 etc. on request <p>Non medium contacted:</p> <ul style="list-style-type: none"> • 1.4305 or equivalent
Gasket	<p>Standard gaskets:</p> <ul style="list-style-type: none"> • EPDM • PTFE on order • Special materials on request
Surface quality	<p>Medium contacted:</p> <ul style="list-style-type: none"> • electro polished Ra < 0,6µm • other qualities on request <p>Non medium contacted:</p> <ul style="list-style-type: none"> • electro polished Ra > 1,6µm
Tracability	Product contacted material marked with material no. and heat no.
Media	Gases and liquids
Operating temperature	-10°C to +140°C See temperature resistance chart of gaskets
Operating pressure	10 bar at room temperature
Operating temperature gaskets	<ul style="list-style-type: none"> • EPDM: -40°C bis +90°C, short time up +140°C • PTFE: -60°C bis +160°C, short time up +205°C
Applicable standards	<p>Pipe dimensions:</p> <ul style="list-style-type: none"> • DIN (DIN11866 series A) • ISO (DIN11866 series B) • BSOD (DIN11866 series C)
Certification	<p>Medium contacted:</p> <ul style="list-style-type: none"> • EN 10204 / 3.1 <p>Gaskets:</p> <ul style="list-style-type: none"> • FDA-conform, TSE-free

4.2.1 2 / 2-WAY VALVE WITH PLASTIC ACTUATOR

Note: Actual data to collect at www.LM-Biotech.ch. Specifications and design are subject to change without notice. Date of creation: 01/14



4.2.1 2/2-WAY VALVE WITH PLASTIC ACTUATOR



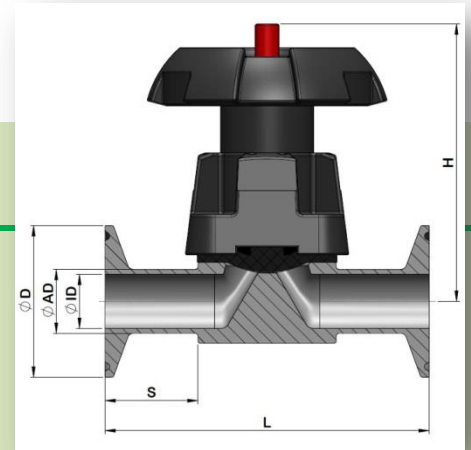
4.2.1.0 2/2-WAY VALVE WITH WELD END AND PLASTIC ACTUATOR

Size	Article no.	Pipe-AD [mm]	Pipe-ID [mm]	Height H [mm]	Length L [mm]	Length S [mm]				
ISO DN08	LMAA.W08.W08.35.0.PM	13.50	10.30	57.00	72.00	20.00				
ISO DN10	LMAA.W10.W10.35.0.PM	17.20	14.00	85.00	108.00	31.00				
ISO DN15	LMAA.W15.W15.35.0.PM	21.30	18.10	85.00	108.00	31.00				
ISO DN20	LMAA.W20.W20.35.0.PM	26.90	23.70	102.00	120.00	25.00				
ISO DN25	LMAA.W25.W25.35.0.PM	33.70	29.70	104.00	120.00	25.00				
ISO DN32	LMAA.W32.W32.35.0.PM	42.40	38.40	121.00	153.00	30.00				
ISO DN40	LMAA.W40.W40.35.0.PM	48.30	44.30	124.00	153.00	30.00				
ISO DN50	LMAA.W50.W50.35.0.PM	60.30	56.30	151.00	173.00	40.00				
ISO DN65	LMAA.W65.W65.35.0.PM	76.10	72.10	201.00	216.00	41.00				
ISO DN80	LMAA.W80.W80.35.0.PM	88.90	84.30	265.00	244.00	40.00				
ISO DN100	LMAA.W100.W100.35.0.PM	114.30	109.10	304.00	350.00	55.00				
ISO DN150	LMAA.W150.W150.35.0.PM	168.30	163.10	437.00	396.00	90.00				
DIN DN04	LMAA.V04.V04.35.0.PM	6.00	4.00	57.00	72.00	20.00				
DIN DN06	LMAA.V06.V06.35.0.PM	8.00	6.00	57.00	72.00	20.00				
DIN DN08	LMAA.V08.V08.35.0.PM	10.00	8.00	57.00	72.00	20.00				
DIN DN10	LMAA.V10.V10.35.0.PM	12.00	10.00	57.00	72.00	20.00				
DIN DN15	LMAA.V15.V15.35.0.PM	19.00	16.00	85.00	108.00	20.00				
DIN DN20	LMAA.V25.V25.35.0.PM	23.00	20.00	102.00	120.00	20.00				
DIN DN25	LMAA.V25.V25.35.0.PM	29.00	26.00	104.00	120.00	25.00				
DIN DN32	LMAA.V32.V32.35.0.PM	35.00	32.00	121.00	153.00	30.00				
DIN DN40	LMAA.V40.V40.35.0.PM	41.00	38.00	124.00	153.00	30.00				
DIN DN50	LMAA.V50.V50.35.0.PM	53.00	50.00	151.00	173.00	32,50				
BSOD DN 1/4"	LMAA.Y02.Y02.35.0.PM	6.35	4.57	69.00	72.00	20.00				
BSOD DN 1/2"	LMAA.Y05.Y05.35.0.PM	9.53	7.75	69.00	88,90	20.00				
BSOD DN 3/4"	LMAA.Y07.Y07.35.0.PM	12.70	9.40	83.50	88,90	30.00				
BSOD DN 1"	LMAA.Y10.Y10.35.0.PM	19.05	15.75	104.00	121,90	38.00				
BSOD DN 1 1/2"	LMAA.Y15.Y15.35.0.PM	25.40	22.10	119.00	147,30	38.00				
BSOD DN 2"	LMAA.Y20.Y20.35.0.PM	38.10	34.80	125.00	170,20	40.00				
BSOD DN 2 1/2"	LMAA.Y25.Y25.35.0.PM	50.80	47.50	151.00	190,50	40.00				
BSOD DN 3"	LMAA.Y30.Y30.35.0.PM	63.50	60.20	201.00	173.00	40.00				
BSOD DN 4"	LMAA.Y40.Y40.35.0.PM	76.20	72.90	304.00	216.00	41.00				
BSOD DN 6"	LMAA.Y60.Y60.35.0.PM	101.60	97.38	437.00	on request	on request				

Note: Actual data to collect at www.LM-Biotech.ch. Specifications and design are subject to change without notice. Date of creation: 01/14



4.2.1 2/2-WAY VALVE WITH PLASTIC ACTUATOR



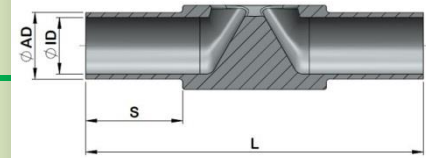
4.2.1.1 2/2-WAY VALVE WITH CLAMP END AND PLASTIC ACTUATOR

Size	Article no.	Clamp-D [mm]	Pipe-AD [mm]	Pipe-ID [mm]	Height H [mm]	Length L [mm]				
ISO DN08	LMAF.W08.W08.35.0.PM	25.00	13.50	10.30	68.50	63,50				
ISO DN10	LMAF.W10.W10.35.0.PM	25.00	17.20	14.00	85.00	108,00				
ISO DN15	LMAF.W15.W15.35.0.PM	50.50	21.30	18.10	85.00	108,00				
ISO DN20	LMAF.W20.W20.35.0.PM	50.50	26.90	23.70	102.00	120,00				
ISO DN25	LMAF.W25.W25.35.0.PM	50.50	33.70	29.70	104.00	120,00				
ISO DN32	LMAF.W32.W32.35.0.PM	64.00	42.40	38.40	121.00	153,00				
ISO DN40	LMAF.W40.W40.35.0.PM	64.00	48.30	44.30	124.00	153,00				
ISO DN50	LMAF.W50.W50.35.0.PM	77.50	60.30	56.30	151.00	173,00				
ISO DN65	LMAF.W65.W65.35.0.PM	91.00	76.10	72.10	on request	on request				
ISO DN80	LMAF.W80.W80.35.0.PM	106.00	88.90	84.30	on request	on request				
ISO DN100	LMAF.W100.W100.35.0.PM	130.00	114.30	109.10	on request	on request				
ISO DN150	LMAF.W150.W150.35.0.PM	183.00	168.30	163.10	on request	on request				
DIN DN04	LMA5.V04.V04.35.0	25.00	6.00	4.00	on request	63.50				
DIN DN06	LMA5.V06.V06.35.0	25.00	8.00	6.00	on request	63.50				
DIN DN08	LMA5.V08.V08.35.0	25.00	10.00	8.00	on request	63.50				
DIN DN10	LMA5.V10.V10.35.0	34.00	12.00	10.00	on request	63.50				
DIN DN15	LMA5.V15.V15.35.0	34.00	19.00	16.00	on request	108.00				
DIN DN20	LMA5.V20.V20.35.0	34.00	23.00	20.00	on request	114.30				
DIN DN25	LMA5.V25.V25.35.0	50.50	29.00	26.00	on request	114.30				
DIN DN32	LMA5.V32.V32.35.0	50.50	35.00	32.00	on request	139.70				
DIN DN40	LMA5.V40.V40.35.0	50.50	41.00	38.00	on request	139.70				
DIN DN50	LMA5.V50.V50.35.0	64.00	53.00	50.00	on request	158.70				
DIN DN65	LMA5.V65.V25.35.0	91.00	70.00	66.00	on request	on request				
DIN DN80	LMA5.V80.V32.35.0	106.00	85.00	81.00	on request	on request				
DIN DN100	LMA5.V100.V40.35.0	119.00	104.00	100.00	on request	348.90				
DIN DN150	LMA5.V150.V50.35.0	183.00	154.00	150.00	on request	on request				
BSOD DN 1/4"	LMA5.Y02.Y02.35.0	25.00	6.35	4.57	69.00	63,50				
BSOD DN 3/8"	LMA5.Y03.Y03.35.0	25.00	9.53	7.75	69.00	63,50				
BSOD DN 1/2"	LMA5.Y05.Y05.35.0	25.00	12.70	9.40	69.00	63,50				
BSOD DN 3/4"	LMA5.Y07.Y07.35.0	25.00	19.05	15.75	83.50	101,60				
BSOD DN 1"	LMA5.Y10.Y10.35.0	50.50	25.40	22.10	104.00	114,30				
BSOD DN 1 1/2"	LMA5.Y15.Y15.35.0	50.50	38.10	34.80	119.00	139,70				
BSOD DN 2"	LMA5.Y20.Y20.35.0	64.00	50.80	47.50	125.00	158,70				
BSOD DN 2 1/2"	LMA5.Y25.Y25.35.0	77.50	63.50	60.20	151.00	on request				
BSOD DN 3"	LMA5.Y30.Y30.35.0	91.00	76.20	72.90	201.00	on request				
BSOD DN 4"	LMA5.Y40.Y40.35.0	119.00	101.60	97.38	304.00	350,00				
BSOD DN 6"	LMA5.Y60.Y60.35.0	167.00	152.40	146.86	on request	on request				

Note: Actual data to collect at www.LM-Biotech.ch. Specifications and design are subject to change without notice. Date of creation: 01/14



4.2.1 2/2-WAY VALVE WITH PLASTIC ACTUATOR



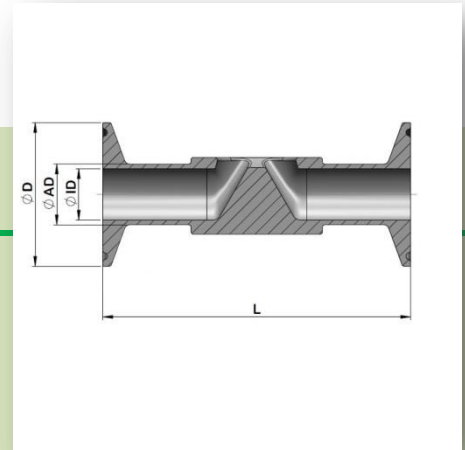
4.2.1.2 2/2-WAY VALVE WITH WELD END

Size	Article no.	Pipe-AD [mm]	Pipe-ID [mm]	Length L [mm]	Length S [mm]				
ISO DN08	LMA1.W08.W08.35.0	13.50	10.30	72.00	20.00				
ISO DN10	LMA1.W10.W10.35.0	17.20	14.00	108.00	31.00				
ISO DN15	LMA1.W15.W15.35.0	21.30	18.10	108.00	31.00				
ISO DN20	LMA1.W20.W20.35.0	26.90	23.70	120.00	25.00				
ISO DN25	LMA1.W25.W25.35.0	33.70	29.70	120.00	25.00				
ISO DN32	LMA1.W32.W32.35.0	42.40	38.40	153.00	30.00				
ISO DN40	LMA1.W40.W40.35.0	48.30	44.30	153.00	30.00				
ISO DN50	LMA1.W50.W50.35.0	60.30	56.30	173.00	40.00				
ISO DN65	LMA1.W65.W65.35.0	76.10	72.10	216.00	41.00				
ISO DN80	LMA1.W80.W80.35.0	88.90	84.30	244.00	40.00				
ISO DN100	LMA1.W100.W100.35.0	114.30	109.10	350.00	55.00				
ISO DN150	LMA1.W150.W150.35.0	168.30	163.10	396.00	90.00				
DIN DN04	LMA1.V04.V04.35.0	6.00	4.00	72,00	20,00				
DIN DN06	LMA1.V06.V06.35.0	8.00	6.00	72,00	20,00				
DIN DN08	LMA1.V08.V08.35.0	10.00	8.00	72,00	20,00				
DIN DN10	LMA1.V10.V10.35.0	12.00	10.00	72,00	20,00				
DIN DN15	LMA1.V15.V15.35.0	19.00	16.00	108,00	20,00				
DIN DN20	LMA1.V20.V20.35.0	23.00	20.00	120,00	20,00				
DIN DN25	LMA1.V25.V25.35.0	29.00	26.00	120,00	25,00				
DIN DN32	LMA1.V32.V32.35.0	35.00	32.00	153,00	30,00				
DIN DN40	LMA1.V40.V40.35.0	41.00	38.00	153,00	30,00				
DIN DN50	LMA1.V50.V50.35.0	53.00	50.00	173,00	32,50				
DIN DN65	LMA1.V65.V25.35.0	70.00	66.00	216,00	41,00				
DIN DN80	LMA1.V80.V32.35.0	85.00	81.00	on request	on request				
DIN DN100	LMA1.V100.V40.35.0	104.00	100.00	on request	on request				
DIN DN150	LMA1.V150.V50.35.0	154.00	150.00	on request	on request				
BSOD DN 1/4"	LMA1.Y02.Y02.35.0	6.35	4.57	72,00	20,00				
BSOD DN 3/8"	LMA1.Y03.Y03.35.0	9.53	7.75	88,90	20,00				
BSOD DN 1/2"	LMA1.Y05.Y05.35.0	12.70	9.40	88,90	30,00				
BSOD DN 3/4"	LMA1.Y07.Y07.35.0	19.05	15.75	121,90	38,00				
BSOD DN 1"	LMA1.Y10.Y10.35.0	25.40	22.10	147,30	38,00				
BSOD DN 1 1/2"	LMA1.Y15.Y15.35.0	38.10	34.80	170,20	40,00				
BSOD DN 2"	LMA1.Y20.Y20.35.0	50.80	47.50	190,50	40,00				
BSOD DN 2 1/2"	LMA1.Y25.Y25.35.0	63.50	60.20	173,00	40,00				
BSOD DN 3"	LMA1.Y30.Y30.35.0	76.20	72.90	216,00	41,00				
BSOD DN 4"	LMA1.Y40.Y40.35.0	101.60	97.38	on request	on request				
BSOD DN 6"	LMA1.Y60.Y60.35.0	152.40	146.86	on request	on request				

Note: Actual data to collect at www.LM-Biotech.ch. Specifications and design are subject to change without notice. Date of creation: 01/14



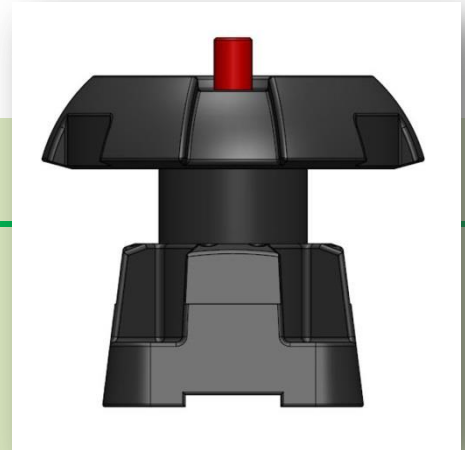
4.2.1 2/2-WAY VALVE WITH PLASTIC ACTUATOR



4.2.1.3 2/2-WAY VALVE WITH CLAMP END

Size	Article no.	Clamp-D [mm]	Pipe-AD [mm]	Pipe-ID [mm]	Length L [mm]				
ISO DN08	LMA5.W08.W08.35.0	25.00	13.50	10.30	63.50				
ISO DN10	LMA5.W10.W10.35.0	25.00	17.20	14.00	108.00				
ISO DN15	LMA5.W15.W15.35.0	50.50	21.30	18.10	108.00				
ISO DN20	LMA5.W20.W20.35.0	50.50	26.90	23.70	120.00				
ISO DN25	LMA5.W25.W25.35.0	50.50	33.70	29.70	120.00				
ISO DN32	LMA5.W32.W32.35.0	64.00	42.40	38.40	153.00				
ISO DN40	LMA5.W40.W40.35.0	64.00	48.30	44.30	153.00				
ISO DN50	LMA5.W50.W50.35.0	77.50	60.30	56.30	173.00				
ISO DN65	LMA5.W65.W65.35.0	91.00	76.10	72.10	on request				
ISO DN80	LMA5.W80.W80.35.0	106.00	88.90	84.30	on request				
ISO DN100	LMA5.W100.W100.35.0	130.00	114.30	109.10	on request				
ISO DN150	LMA5.W150.W150.35.0	183.00	168.30	163.10	on request				
DIN DN04	LMA5V04.V04.35.0	25.00	6.00	4.00	63.50				
DIN DN06	LMA5.V06.V06.35.0	25.00	8.00	6.00	63.50				
DIN DN08	LMA5.V08.V08.35.0	25.00	10.00	8.00	63.50				
DIN DN10	LMA5.V10.V10.35.0	34.00	12.00	10.00	63.50				
DIN DN15	LMA5.V15.V15.35.0	34.00	19.00	16.00	108.00				
DIN DN20	LMA5.V20.V20.35.0	34.00	23.00	20.00	114.30				
DIN DN25	LMA5.V25.V25.35.0	50.50	29.00	26.00	114.30				
DIN DN32	LMA5.V32.V32.35.0	50.50	35.00	32.00	139.70				
DIN DN40	LMA5.V40.V40.35.0	50.50	41.00	38.00	139.70				
DIN DN50	LMA5.V50.V50.35.0	64.00	53.00	50.00	158.70				
DIN DN65	LMA5.V65.V25.35.0	91.00	70.00	66.00	on request				
DIN DN80	LMA5.V80.V32.35.0	106.00	85.00	81.00	on request				
DIN DN100	LMA5.V100.V40.35.0	119.00	104.00	100.00	348.90				
DIN DN150	LMA5.V150.V50.35.0	183.00	154.00	150.00	on request				
BSOD DN 1/4"	LMA5.Y02.Y02.35.0	25.00	6.35	4.57	63.50				
BSOD DN 3/8"	LMA5.Y03.Y03.35.0	25.00	9.53	7.75	63.50				
BSOD DN 1/2"	LMA5.Y05.Y05.35.0	25.00	12.70	9.40	63.50				
BSOD DN 3/4"	LMA5.Y07.Y07.35.0	25.00	19.05	15.75	101.60				
BSOD DN 1"	LMA5.Y10.Y10.35.0	50.50	25.40	22.10	114.30				
BSOD DN 1 1/2"	LMA5.Y15.Y15.35.0	50.50	38.10	34.80	139.70				
BSOD DN 2"	LMA5.Y20.Y20.35.0	64.00	50.80	47.50	158.70				
BSOD DN 2 1/2"	LMA5.Y25.Y25.35.0	77.50	63.50	60.20	on request				
BSOD DN 3"	LMA5.Y30.Y30.35.0	91.00	76.20	72.90	on request				
BSOD DN 4"	LMA5.Y40.Y40.35.0	119.00	101.60	97.38	350.00				
BSOD DN 6"	LMA5.Y60.Y60.35.0	167.00	152.40	146.86	on request				

Note: Actual data to collect at www.LM-Biotech.ch. Specifications and design are subject to change without notice. Date of creation: 01/14



4.2.1 2/2-WAY VALVE WITH PLASTIC ACTUATOR

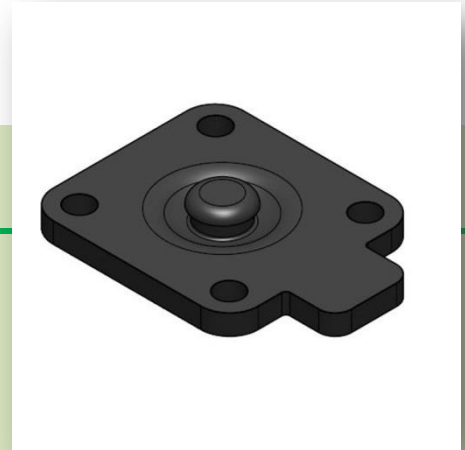
4.2.1.4 PLASTIC ACTUATOR

Size	Article No. (for EPDM Gaskets)	Artiklle No. (for PTFE Gaskets)						
ISO DN08	LMB1.V04.W08.00.0	LMB1.V04.W08.00.3						
ISO DN10	LMB1.W10.W15.00.0	LMB1.W10.W15.00.3						
ISO DN15	LMB1.W10.W15.00.0	LMB1.W10.W15.00.3						
ISO DN20	LMB1.W20.W25.00.0	LMB1.W20.W25.00.3						
ISO DN25	LMB1.W20.W25.00.0	LMB1.W20.W25.00.3						
ISO DN32	LMB1.W32.W40.00.0	LMB1.W32.W40.00.3						
ISO DN40	LMB1.W32.W40.00.0	LMB1.W32.W40.00.3						
ISO DN50	LMB1.W50.W50.00.0	LMB1.W50.W50.00.3						
ISO DN65	LMB1.W65.W65.00.0	LMB1.W65.W65.00.3						
ISO DN80	LMB1.W80.W80.00.0	LMB1.W80.W80.00.3						
ISO DN100	LMB1.W100.W100.00.0	LMB1.W100.W100.00.3						
ISO DN150	LMB1.W150.W150.00.0	LMB1.W150.W150.00.3						
DIN DN04	LMB1.V04.W08.00.0	LMB1.V04.W08.00.3						
DIN DN06	LMB1.V04.W08.00.0	LMB1.V04.W08.00.3						
DIN DN08	LMB1.V04.W08.00.0	LMB1.V04.W08.00.3						
DIN DN10	LMB1.V04.W08.00.0	LMB1.V04.W08.00.3						
DIN DN15	LMB1.W10.W15.00.0	LMB1.W10.W15.00.3						
DIN DN20	LMB1.W20.W25.00.0	LMB1.W20.W25.00.3						
DIN DN25	LMB1.W20.W25.00.0	LMB1.W20.W25.00.3						
DIN DN32	LMB1.W32.W40.00.0	LMB1.W32.W40.00.3						
DIN DN40	LMB1.W32.W40.00.0	LMB1.W32.W40.00.3						
DIN DN50	LMB1.W32.W40.00.0	LMB1.W32.W40.00.3						
BSOD DN 1/4"	LMB1.V04.W08.00.0	LMB1.V04.W08.00.3						
BSOD DN 1/2"	LMB1.V04.W08.00.0	LMB1.V04.W08.00.3						
BSOD DN 3/4"	LMB1.W10.W15.00.0	LMB1.W10.W15.00.3						
BSOD DN 1"	LMB1.W20.W25.00.0	LMB1.W20.W25.00.3						
BSOD DN 1 1/2"	LMB1.W32.W40.00.0	LMB1.W32.W40.00.3						
BSOD DN 2"	LMB1.W32.W40.00.0	LMB1.W32.W40.00.3						
BSOD DN 2 1/2"	LMB1.W50.W50.00.0	LMB1.W50.W50.00.3						
BSOD DN 3"	LMB1.W65.W65.00.0	LMB1.W65.W65.00.3						
BSOD DN 4"	LMB1.W100.W100.00.0	LMB1.W100.W100.00.3						
BSOD DN 6"	LMB1.W150.W150.00.0	LMB1.W150.W150.00.3						

Note: Actual data to collect at www.LM-Biotech.ch. Specifications and design are subject to change without notice. Date of creation: 01/14



4.2.1 2/2-WAY VALVE WITH PLASTIC ACTUATOR



4.2.1.5 GASKET FOR 2/2-WAY VALVE

Size	Article no. (Material: EPDM)	Article no. (Material: PTFE)						
ISO DN08	LM20.V04.W08.VA.0	LM20.V04.W08.VA.3						
ISO DN10	LM20.W10.W15.EP.0	LM20.W10.W15.TE.0						
ISO DN15	LM20.W10.W15.EP.0	LM20.W10.W15.TE.0						
ISO DN20	LM20.W20.W25.EP.0	LM20.W20.W25.TE.0						
ISO DN25	LM20.W20.W25.EP.0	LM20.W20.W25.TE.0						
ISO DN32	LM20.W32.W40.EP.0	LM20.W32.W40.TE.0						
ISO DN40	LM20.W32.W40.EP.0	LM20.W32.W40.TE.0						
ISO DN50	LM20.W50.W50.EP.0	LM20.W50.W50.TE.0						
ISO DN65	LM20.W65.W65.EP.0	LM20.W65.W65.TE.0						
ISO DN80	LM20.W80.W80.EP.0	LM20.W80.W80.TE.0						
ISO DN100	LM20.W100.W100.EP.0	LM20.W100.W100.TE.0						
ISO DN150	LM20.W150.W150.EP.0	LM20.W150.W150.TE.0						
DIN DN04	LM20.V04.W08.VA.0	LM20.V04.W08.VA.3						
DIN DN06	LM20.V04.W08.VA.0	LM20.V04.W08.VA.3						
DIN DN08	LM20.V04.W08.VA.0	LM20.V04.W08.VA.3						
DIN DN10	LM20.V04.W08.VA.0	LM20.V04.W08.VA.3						
DIN DN15	LM20.W10.W15.EP.0	LM20.W10.W15.TE.0						
DIN DN20	LM20.W20.W25.EP.0	LM20.W20.W25.TE.0						
DIN DN25	LM20.W20.W25.EP.0	LM20.W20.W25.TE.0						
DIN DN32	LM20.W32.W40.EP.0	LM20.W32.W40.TE.0						
DIN DN40	LM20.W32.W40.EP.0	LM20.W32.W40.TE.0						
DIN DN50	LM20.W32.W40.EP.0	LM20.W32.W40.TE.0						
BSOD DN 1/4"	LM20.V04.W08.VA.0	LM20.V04.W08.VA.3						
BSOD DN 1/2"	LM20.V04.W08.VA.0	LM20.V04.W08.VA.3						
BSOD DN 3/4"	LM20.W10.W15.EP.0	LM20.W10.W15.TE.0						
BSOD DN 1"	LM20.W20.W25.EP.0	LM20.W20.W25.TE.0						
BSOD DN 1 1/2"	LM20.W32.W40.EP.0	LM20.W32.W40.TE.0						
BSOD DN 2"	LM20.W32.W40.EP.0	LM20.W32.W40.TE.0						
BSOD DN 2 1/2"	LM20.W50.W50.EP.0	LM20.W50.W50.TE.0						
BSOD DN 3"	LM20.W65.W65.EP.0	LM20.W65.W65.TE.0						
BSOD DN 4"	LM20.W100.W100.EP.0	LM20.W100.W100.TE.0						
BSOD DN 6"	LM20.W150.W150.EP.0	LM20.W150.W150.TE.0						

Note: Actual data to collect at www.LM-Biotech.ch. Specifications and design are subject to change without notice. Date of creation: 01/14