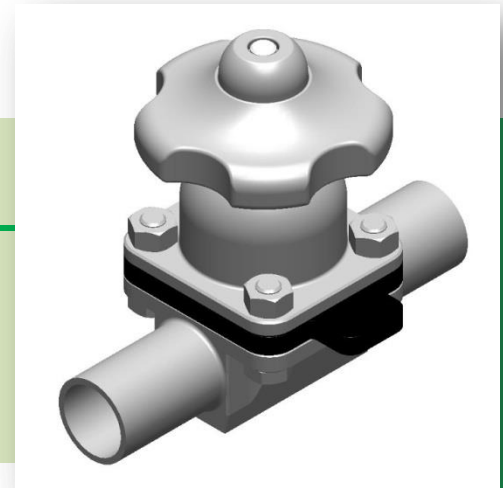




4.2.2 2/2-WAY VALVE WITH STAINLESS STEEL ACTUATOR



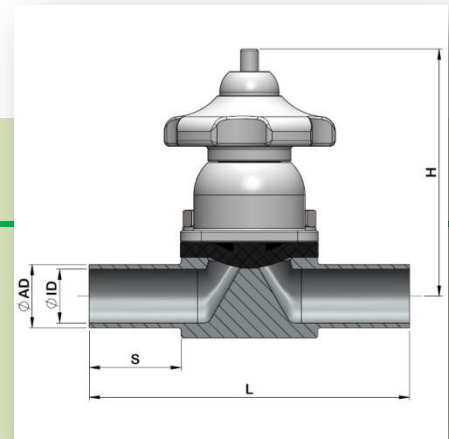
TECHNICAL DATA

Standard sizes	<ul style="list-style-type: none">• DIN DN04 - DIN DN150• ISO DN08 - ISO DN150• BSOD 1/4" – 6"• other dimensions on request
Material	Medium contacted: <ul style="list-style-type: none">• 1.4435 BN2 (316L)• 1.4404 (316L)• Special materials e.g. Hastelloy, Titan, 1.4539 etc. on request Non medium contacted: <ul style="list-style-type: none">• 1.4305 or equivalent
Gasket	Standard gaskets: <ul style="list-style-type: none">• EPDM• PTFE on order• Special materials on request
Surface quality	Medium contacted: <ul style="list-style-type: none">• electro polished Ra < 0,6µm• other qualities on request Non medium contacted: <ul style="list-style-type: none">• electro polished Ra > 1,6µm
Tracability	Product contacted material marked with material no. and heat no.
Media	Gases and liquids
Operating temperature	-10°C to +140°C See temperature resistance chart of gaskets
Operating pressure	10 bar at room temperature
Operating temperature gaskets	<ul style="list-style-type: none">• EPDM: -40°C bis +90°C, short time up +140°C• PTFE: -60°C bis +160°C, short time up +205°C
Applicable standards	Pipe dimensions: <ul style="list-style-type: none">• DIN (DIN11866 series A)• ISO (DIN11866 series B)• BSOD (DIN11866 series C)
Certification	Medium contacted: <ul style="list-style-type: none">• EN 10204 / 3.1 Gaskets: <ul style="list-style-type: none">• FDA-conform, TSE-free

4.2.2 2/2-WAY VALVE WITH STAINLESS STEEL ACTUATORNote: Actual data to collect at www.LM-Biotech.ch. Specifications and design are subject to change without notice. Date of revision: 03/14



4.2.2 2/2-WAY VALVE WITH STAINLESS STEEL ACTUATOR



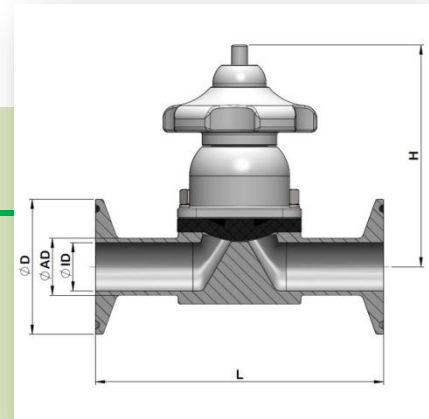
4.2.2.0 2/2-WAY VALVE WITH WELD END AND STAINLESS STEEL ACTUATOR

Size	Article no.	Pipe-AD [mm]	Pipe-ID [mm]	Height H [mm]	Length L [mm]	Length S [mm]				
ISO DN08	LMAA.W08.W08.35.0.MM	13.50	10.30	66.30	72.00	20.00				
ISO DN10	LMAA.W10.W10.35.0.MM	17.20	14.00	99.00	108.00	31.00				
ISO DN15	LMAA.W15.W15.35.0.MM	21.30	18.10	101.00	108.00	31.00				
ISO DN20	LMAA.W20.W20.35.0.MM	26.90	23.70	154.00	120.00	25.00				
ISO DN25	LMAA.W25.W25.35.0.MM	33.70	29.70	158.00	120.00	25.00				
ISO DN32	LMAA.W32.W32.35.0.MM	42.40	38.40	199.00	153.00	30.00				
ISO DN40	LMAA.W40.W40.35.0.MM	48.30	44.30	204.00	153.00	30.00				
ISO DN50	LMAA.W50.W50.35.0.MM	60.30	56.30	235.00	173.00	40.00				
ISO DN65	LMAA.W65.W65.35.0.MM	76.10	72.10	245.00	216.00	41.00				
ISO DN80	LMAA.W80.W80.35.0.MM	88.90	84.30	260.00	244.00	40.00				
ISO DN100	LMAA.W100.W100.35.0.MM	114.30	109.10	278.00	350.00	55.00				
ISO DN150	LMAA.W150.W150.35.0.MM	168.30	163.10	345.00	396.00	90.00				
DIN DN04	LMAAV04.V04.35.0.MM	6.00	4.00	60.80	72.00	20.00				
DIN DN06	LMAA.V06.V06.35.0.MM	8.00	6.00	61.30	72.00	20.00				
DIN DN08	LMAA.V08.V08.35.0.MM	10.00	8.00	66.10	72.00	20.00				
DIN DN10	LMAA.V10.V10.35.0.MM	12.00	10.00	66.10	72.00	20.00				
DIN DN15	LMAA.V15.V15.35.0.MM	19.00	16.00	101.00	108.00	20.00				
DIN DN20	LMAA.V20.V20.35.0.MM	23.00	20.00	149.00	120.00	20.00				
DIN DN25	LMAA.V25.V25.35.0.MM	29.00	26.00	158.50	120.00	25.00				
DIN DN32	LMAA.V32.V32.35.0.MM	35.00	32.00	179.00	153.00	30.00				
DIN DN40	LMAA.V40.V40.35.0.MM	41.00	38.00	201.00	153.00	30.00				
DIN DN50	LMAA.V50.V50.35.0.MM	53.00	50.00	219.20	173.00	32.50				
DIN DN65	LMAA.V65.V25.35.0.MM	70.00	66.00	246.00	216.00	41.00				
DIN DN80	LMAA.V80.V32.35.0.MM	85.00	81.00	on request						
DIN DN100	LMAA.V100.V40.35.0.MM	104.00	100.00	on request						
DIN DN150	LMAA.V150.V50.35.0.MM	154.00	150.00	on request						
BSOD DN 1/4"	LMAA.Y02.Y02.35.0.MM	6.35	4.57	63.30	72.00	20.00				
BSOD DN 3/8"	LMAA.Y03.Y03.35.0.MM	9.53	7.75	66.30	88.90	20.00				
BSOD DN 1/2"	LMAA.Y05.Y05.35.0.MM	12.70	9.40	66.30	88.90	30.00				
BSOD DN 3/4"	LMAA.Y07.Y07.35.0.MM	19.05	15.75	99.50	121.90	38.00				
BSOD DN 1"	LMAA.Y10.Y10.35.0.MM	25.40	22.10	155.70	147.30	38.00				
BSOD DN 1 1/2"	LMAA.Y15.Y15.35.0.MM	38.10	34.80	199.00	170.20	40.00				
BSOD DN 2"	LMAA.Y20.Y20.35.0.MM	50.80	47.50	209.00	190.50	40.00				
BSOD DN 2 1/2"	LMAA.Y25.Y25.35.0.MM	63.50	60.20	222.30	173.00	40.00				
BSOD DN 3"	LMAA.Y30.Y30.35.0.MM	76.20	72.90	244.00	216.00	41.00				
BSOD DN 4"	LMAA.Y40.Y40.35.0.MM	101.60	97.38	on request						
BSOD DN 6"	LMAA.Y60.Y60.35.0.MM	152.40	146.86	on request						

Note: Actual data to collect at www.LM-Biotech.ch. Specifications and design are subject to change without notice. Date of revision: 03/14



4.2.2 2/2-WAY VALVE WITH STAINLESS STEEL ACTUATOR



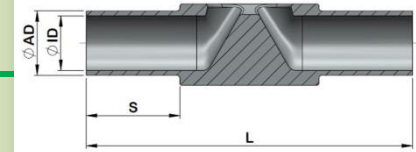
4.2.2.1 2/2-WAY VALVE WITH CLAMP END AND STAINLESS STEEL ACTUATOR

Size	Article no.	Clamp-D [mm]	Pipe-AD [mm]	Pipe-ID [mm]	Height H [mm]	Length L [mm]			
ISO DN08	LMAF.W08.W08.35.0.MM	25.00	13.50	10.30	77.80	63,50			
ISO DN10	LMAF.W10.W10.35.0.MM	25.00	17.20	14.00	97.00	108,00			
ISO DN15	LMAF.W15.W15.35.0.MM	50.50	21.30	18.10	99.00	108,00			
ISO DN20	LMAF.W20.W20.35.0.MM	50.50	26.90	23.70	121.00	120,00			
ISO DN25	LMAF.W25.W25.35.0.MM	50.50	33.70	29.70	125.00	120,00			
ISO DN32	LMAF.W32.W32.35.0.MM	64.00	42.40	38.40	147.00	153,00			
ISO DN40	LMAF.W40.W40.35.0.MM	64.00	48.30	44.30	152.00	153,00			
ISO DN50	LMAF.W50.W50.35.0.MM	77.50	60.30	56.30	183.00	173,00			
ISO DN65	LMAF.W65.W65.35.0.MM	91.00	76.10	72.10	245.00				
ISO DN80	LMAF.W80.W80.35.0.MM	106.00	88.90	84.30	260.00				
ISO DN100	LMAF.W100.W100.35.0.MM	130.00	114.30	109.10	278.00				
ISO DN150	LMAF.W150.W150.35.0.MM	183.00	168.30	163.10	345.00				
DIN DN04	LMAF.V04.V04.35.0.MM	25.00	6.00	4.00	78.30	63,50			
DIN DN06	LMAF.V06.V06.35.0.MM	25.00	8.00	6.00	78.30	63,50			
DIN DN08	LMAF.V08.V08.35.0.MM	25.00	10.00	8.00	78.30	63,50			
DIN DN10	LMAF.V10.V10.35.0.MM	34.00	12.00	10.00	78.30	63,50			
DIN DN15	LMAF.V15.V15.35.0.MM	34.00	19.00	16.00	97.50	108,00			
DIN DN20	LMAF.V20.V20.35.0.MM	34.00	23.00	20.00	125.50	114,30			
DIN DN25	LMAF.V25.V25.35.0.MM	50.50	29.00	26.00	125.50	114,30			
DIN DN32	LMAF.V32.V32.35.0.MM	50.50	35.00	32.00	137.00	139,70			
DIN DN40	LMAF.V40.V40.35.0.MM	50.50	41.00	38.00	137.00	139,70			
DIN DN50	LMAF.V50.V50.35.0.MM	64.00	53.00	50.00	157.00	158,70			
DIN DN65	LMAF.V65.V25.35.0.MM	91.00	70.00	66.00	on request				
DIN DN80	LMAF.V80.V32.35.0.MM	106.00	85.00	81.00	on request				
DIN DN100	LMAF.V100.V40.35.0.MM	119.00	104.00	100.00	364.80	348,90			
DIN DN150	LMAF.V150.V50.35.0.MM	183.00	154.00	150.00	on request				
BSOD DN 1/4"	LMAF.Y02.Y02.35.0.MM	25.00	6.35	4.57	75.30	63,50			
BSOD DN 3/8"	LMAF.Y03.Y03.35.0.MM	25.00	9.53	7.75	76.80	63,50			
BSOD DN 1/2"	LMAF.Y05.Y05.35.0.MM	25.00	12.70	9.40	78.30	63,50			
BSOD DN 3/4"	LMAF.Y07.Y07.35.0.MM	25.00	19.05	15.75	97.50	101,60			
BSOD DN 1"	LMAF.Y10.Y10.35.0.MM	50.50	25.40	22.10	125.50	114,30			
BSOD DN 1 1/2"	LMAF.Y15.Y15.35.0.MM	50.50	38.10	34.80	137.00	139,70			
BSOD DN 2"	LMAF.Y20.Y20.35.0.MM	64.00	50.80	47.50	157.00	158,70			
BSOD DN 2 1/2"	LMAF.Y25.Y25.35.0.MM	77.50	63.50	60.20	on request				
BSOD DN 3"	LMAF.Y30.Y30.35.0.MM	91.00	76.20	72.90	on request				
BSOD DN 4"	LMAF.Y40.Y40.35.0.MM	119.00	101.60	97.38	364.80	350,00			
BSOD DN 6"	LMAF.Y60.Y60.35.0.MM	167.00	152.40	146.86	on request				

Note: Actual data to collect at www.LM-Biotech.ch. Specifications and design are subject to change without notice. Date of revision: 03/14



4.2.2 2/2-WAY VALVE WITH STAINLESS STEEL ACTUATOR



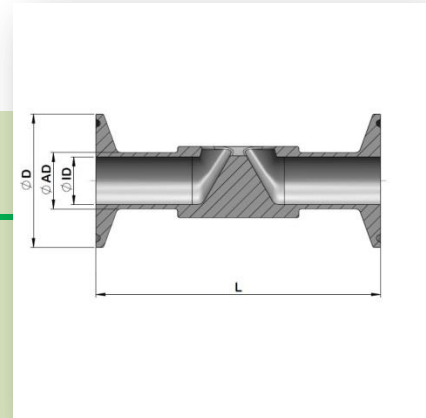
4.2.2.2 2/2-WAY VALVE WITH WELD END

Size	Article no.	Pipe-AD [mm]	Pipe-ID [mm]	Length L [mm]	Length S [mm]				
ISO DN08	LMA1.W08.W08.35.0	13.50	10.30	72.00	20.00				
ISO DN10	LMA1.W10.W10.35.0	17.20	14.00	108.00	31.00				
ISO DN15	LMA1.W15.W15.35.0	21.30	18.10	108.00	31.00				
ISO DN20	LMA1.W20.W20.35.0	26.90	23.70	120.00	25.00				
ISO DN25	LMA1.W25.W25.35.0	33.70	29.70	120.00	25.00				
ISO DN32	LMA1.W32.W32.35.0	42.40	38.40	153.00	30.00				
ISO DN40	LMA1.W40.W40.35.0	48.30	44.30	153.00	30.00				
ISO DN50	LMA1.W50.W50.35.0	60.30	56.30	173.00	40.00				
ISO DN65	LMA1.W65.W65.35.0	76.10	72.10	216.00	41.00				
ISO DN80	LMA1.W80.W80.35.0	88.90	84.30	244.00	40.00				
ISO DN100	LMA1.W100.W100.35.0	114.30	109.10	350.00	55.00				
ISO DN150	LMA1.W150.W150.35.0	168.30	163.10	396.00	90.00				
DIN DN04	LMA1.V04.V04.35.0	6.00	4.00	72,00	20,00				
DIN DN06	LMA1.V06.V06.35.0	8.00	6.00	72,00	20,00				
DIN DN08	LMA1.V08.V08.35.0	10.00	8.00	72,00	20,00				
DIN DN10	LMA1.V10.V10.35.0	12.00	10.00	72,00	20,00				
DIN DN15	LMA1.V15.V15.35.0	19.00	16.00	108,00	20,00				
DIN DN20	LMA1.V20.V20.35.0	23.00	20.00	120,00	20,00				
DIN DN25	LMA1.V25.V25.35.0	29.00	26.00	120,00	25,00				
DIN DN32	LMA1.V32.V32.35.0	35.00	32.00	153,00	30,00				
DIN DN40	LMA1.V40.V40.35.0	41.00	38.00	153,00	30,00				
DIN DN50	LMA1.V50.V50.35.0	53.00	50.00	173,00	32,50				
DIN DN65	LMA1.V65.V25.35.0	70.00	66.00	216,00	41,00				
DIN DN80	LMA1.V80.V32.35.0	85.00	81.00	on request					
DIN DN100	LMA1.V100.V40.35.0	104.00	100.00	on request					
DIN DN150	LMA1.V150.V50.35.0	154.00	150.00	on request					
BSOD DN 1/4"	LMA1.Y02.Y02.35.0	6.35	4.57	72,00	20,00				
BSOD DN 3/8"	LMA1.Y03.Y03.35.0	9.53	7.75	88,90	20,00				
BSOD DN 1/2"	LMA1.Y05.Y05.35.0	12.70	9.40	88,90	30,00				
BSOD DN 3/4"	LMA1.Y07.Y07.35.0	19.05	15.75	121,90	38,00				
BSOD DN 1"	LMA1.Y10.Y10.35.0	25.40	22.10	147,30	38,00				
BSOD DN 1 1/2"	LMA1.Y15.Y15.35.0	38.10	34.80	170,20	40,00				
BSOD DN 2"	LMA1.Y20.Y20.35.0	50.80	47.50	190,50	40,00				
BSOD DN 2 1/2"	LMA1.Y25.Y25.35.0	63.50	60.20	173,00	40,00				
BSOD DN 3"	LMA1.Y30.Y30.35.0	76.20	72.90	216,00	41,00				
BSOD DN 4"	LMA1.Y40.Y40.35.0	101.60	97.38	on request					
BSOD DN 6"	LMA1.Y60.Y60.35.0	152.40	146.86	on request					

Note: Actual data to collect at www.LM-Biotech.ch. Specifications and design are subject to change without notice. Date of revision: 03/14



4.2.2 2/2-WAY VALVE WITH STAINLESS STEEL ACTUATOR



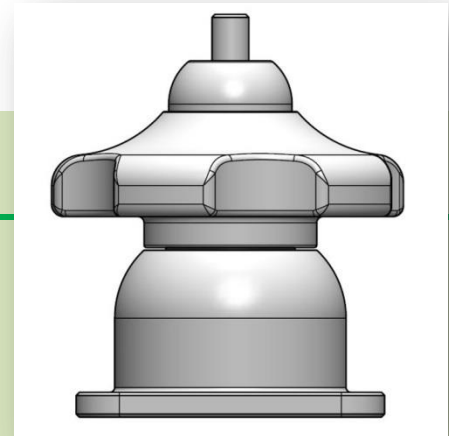
4.2.2.3 2/2-WAY VALVE WITH CLAMP END

Size	Article no.	Clamp-D [mm]	Pipe-AD [mm]	Pipe-ID [mm]	Length L [mm]					
ISO DN08	LMA5.W08.W08.35.0	25.00	13.50	10.30	63.50					
ISO DN10	LMA5.W10.W10.35.0	25.00	17.20	14.00	108.00					
ISO DN15	LMA5.W15.W15.35.0	50.50	21.30	18.10	108.00					
ISO DN20	LMA5.W20.W20.35.0	50.50	26.90	23.70	120.00					
ISO DN25	LMA5.W25.W25.35.0	50.50	33.70	29.70	120.00					
ISO DN32	LMA5.W32.W32.35.0	64.00	42.40	38.40	153.00					
ISO DN40	LMA5.W40.W40.35.0	64.00	48.30	44.30	153.00					
ISO DN50	LMA5.W50.W50.35.0	77.50	60.30	56.30	173.00					
ISO DN65	LMA5.W65.W65.35.0	91.00	76.10	72.10	on request					
ISO DN80	LMA5.W80.W80.35.0	106.00	88.90	84.30	on request					
ISO DN100	LMA5.W100.W100.35.0	130.00	114.30	109.10	on request					
ISO DN150	LMA5.W150.W150.35.0	183.00	168.30	163.10	on request					
DIN DN04	LMA5V04.V04.35.0	25.00	6.00	4.00	63.50					
DIN DN06	LMA5.V06.V06.35.0	25.00	8.00	6.00	63.50					
DIN DN08	LMA5.V08.V08.35.0	25.00	10.00	8.00	63.50					
DIN DN10	LMA5.V10.V10.35.0	34.00	12.00	10.00	63.50					
DIN DN15	LMA5.V15.V15.35.0	34.00	19.00	16.00	108.00					
DIN DN20	LMA5.V20.V20.35.0	34.00	23.00	20.00	114.30					
DIN DN25	LMA5.V25.V25.35.0	50.50	29.00	26.00	114.30					
DIN DN32	LMA5.V32.V32.35.0	50.50	35.00	32.00	139.70					
DIN DN40	LMA5.V40.V40.35.0	50.50	41.00	38.00	139.70					
DIN DN50	LMA5.V50.V50.35.0	64.00	53.00	50.00	158.70					
DIN DN65	LMA5.V65.V25.35.0	91.00	70.00	66.00	on request					
DIN DN80	LMA5.V80.V32.35.0	106.00	85.00	81.00	on request					
DIN DN100	LMA5.V100.V40.35.0	119.00	104.00	100.00	348.90					
DIN DN150	LMA5.V150.V50.35.0	183.00	154.00	150.00	on request					
BSOD DN 1/4"	LMA5.Y02.Y02.35.0	25.00	6.35	4.57	63.50					
BSOD DN 3/8"	LMA5.Y03.Y03.35.0	25.00	9.53	7.75	63.50					
BSOD DN 1/2"	LMA5.Y05.Y05.35.0	25.00	12.70	9.40	63.50					
BSOD DN 3/4"	LMA5.Y07.Y07.35.0	25.00	19.05	15.75	101.60					
BSOD DN 1"	LMA5.Y10.Y10.35.0	50.50	25.40	22.10	114.30					
BSOD DN 1 1/2"	LMA5.Y15.Y15.35.0	50.50	38.10	34.80	139.70					
BSOD DN 2"	LMA5.Y20.Y20.35.0	64.00	50.80	47.50	158.70					
BSOD DN 2 1/2"	LMA5.Y25.Y25.35.0	77.50	63.50	60.20	on request					
BSOD DN 3"	LMA5.Y30.Y30.35.0	91.00	76.20	72.90	on request					
BSOD DN 4"	LMA5.Y40.Y40.35.0	119.00	101.60	97.38	350.00					
BSOD DN 6"	LMA5.Y60.Y60.35.0	167.00	152.40	146.86	on request					

Note: Actual data to collect at www.LM-Biotech.ch. Specifications and design are subject to change without notice. Date of revision: 03/14



4.2.2 2/2-WAY VALVE WITH STAINLESS STEEL ACTUATOR



4.2.2.4 STAINLESS STEEL ACTUATOR

Size	Article No. (for EPDM Gaskets)	Artiklle No. (for PTFE Gaskets)						
ISO DN08	LMB4.V04.W08.D0.0	LMB4.V04.W08.D0.0						
ISO DN10	LMB4.W10.W15.D0.0	LMB4.W10.W15.D0.3						
ISO DN15	LMB4.W10.W15.D0.0	LMB4.W10.W15.D0.3						
ISO DN20	LMB4.W20.W25.D0.0	LMB4.W20.W25.D0.3						
ISO DN25	LMB4.W20.W25.D0.0	LMB4.W20.W25.D0.3						
ISO DN32	LMB4.W32.W40.D0.0	LMB4.W32.W40.D0.3						
ISO DN40	LMB4.W32.W40.D0.0	LMB4.W32.W40.D0.3						
ISO DN50	LMB4.W50.W50.D0.0	LMB4.W50.W50.D0.3						
ISO DN65	On request	On request						
ISO DN80	On request	On request						
ISO DN100	On request	On request						
ISO DN150	On request	On request						
DIN DN04	LMB4.V04.W08.D0.0	LMB4.V04.W08.D0.0						
DIN DN06	LMB4.V04.W08.D0.0	LMB4.V04.W08.D0.0						
DIN DN08	LMB4.V04.W08.D0.0	LMB4.V04.W08.D0.0						
DIN DN10	LMB4.V04.W08.D0.0	LMB4.V04.W08.D0.0						
DIN DN15	LMB4.W10.W15.D0.0	LMB4.W10.W15.D0.3						
DIN DN20	LMB4.W20.W25.D0.0	LMB4.W20.W25.D0.3						
DIN DN25	LMB4.W20.W25.D0.0	LMB4.W20.W25.D0.3						
DIN DN32	LMB4.W32.W40.D0.0	LMB4.W32.W40.D0.3						
DIN DN40	LMB4.W32.W40.D0.0	LMB4.W32.W40.D0.3						
DIN DN50	LMB4.W32.W40.D0.0	LMB4.W32.W40.D0.3						
DIN DN65	On request	On request						
DIN DN80	On request	On request						
DIN DN100	On request	On request						
DIN DN150	On request	On request						
BSOD DN 1/4"	LMB4.V04.W08.D0.0	LMB4.V04.W08.D0.0						
BSOD DN 3/8"	On request	On request						
BSOD DN 1/2"	LMB4.V04.W08.D0.0	LMB4.V04.W08.D0.0						
BSOD DN 3/4"	LMB4.W10.W15.D0.0	LMB4.W10.W15.D0.3						
BSOD DN 1"	LMB4.W20.W25.D0.0	LMB4.W20.W25.D0.3						
BSOD DN 1 1/2"	LMB4.W32.W40.D0.0	LMB4.W32.W40.D0.3						
BSOD DN 2"	LMB4.W32.W40.D0.0	LMB4.W32.W40.D0.3						
BSOD DN 2 1/2"	LMB4.W50.W50.D0.0	LMB4.W50.W50.D0.3						
BSOD DN 3"	On request	On request						
BSOD DN 4"	On request	On request						
BSOD DN 6"	On request	On request						

Note: Actual data to collect at www.LM-Biotech.ch. Specifications and design are subject to change without notice. Date of revision: 03/14



4.2.2 2/2-WAY VALVE WITH STAINLESS STEEL ACTUATOR



4.2.2.5 GASKET FOR 2/2-WAY VALVE

Size	Article no. (Material: EPDM)	Article no. (Material: PTFE)						
ISO DN08	LM20.V04.W08.VA.0	LM20.V04.W08.VA.3						
ISO DN10	LM20.W10.W15.EP.0	LM20.W10.W15.TE.0						
ISO DN15	LM20.W10.W15.EP.0	LM20.W10.W15.TE.0						
ISO DN20	LM20.W20.W25.EP.0	LM20.W20.W25.TE.0						
ISO DN25	LM20.W20.W25.EP.0	LM20.W20.W25.TE.0						
ISO DN32	LM20.W32.W40.EP.0	LM20.W32.W40.TE.0						
ISO DN40	LM20.W32.W40.EP.0	LM20.W32.W40.TE.0						
ISO DN50	LM20.W50.W50.EP.0	LM20.W50.W50.TE.0						
ISO DN65	On request	On request						
ISO DN80	On request	On request						
ISO DN100	On request	On request						
ISO DN150	On request	On request						
DIN DN04	LM20.V04.W08.VA.0	LM20.V04.W08.VA.3						
DIN DN06	LM20.V04.W08.VA.0	LM20.V04.W08.VA.3						
DIN DN08	LM20.V04.W08.VA.0	LM20.V04.W08.VA.3						
DIN DN10	LM20.V04.W08.VA.0	LM20.V04.W08.VA.3						
DIN DN15	LM20.W10.W15.EP.0	LM20.W10.W15.TE.0						
DIN DN20	LM20.W20.W25.EP.0	LM20.W20.W25.TE.0						
DIN DN25	LM20.W20.W25.EP.0	LM0.W20.W25.TE.0						
DIN DN32	LM20.W32.W40.EP.0	LM20.W32.W40.TE.0						
DIN DN40	LM20.W32.W40.EP.0	LM20.W32.W40.TE.0						
DIN DN50	LM20.W32.W40.EP.0	LM20.W32.W40.TE.0						
DIN DN65	On request	On request						
DIN DN80	On request	On request						
DIN DN100	On request	On request						
DIN DN150	On request	On request						
BSOD DN 1/4"	LM20.V04.W08.VA.0	LM20.V04.W08.VA.3						
BSOD DN 3/8"	On request	On request						
BSOD DN 1/2"	LM20.V04.W08.VA.0	LM20.V04.W08.VA.3						
BSOD DN 3/4"	LM20.W10.W15.EP.0	LM20.W10.W15.TE.0						
BSOD DN 1"	LM20.W20.W25.EP.0	LM20.W20.W25.TE.0						
BSOD DN 1 1/2"	LM20.W32.W40.EP.0	LM20.W32.W40.TE.0						
BSOD DN 2"	LM20.W32.W40.EP.0	LM20.W32.W40.TE.0						
BSOD DN 2 1/2"	LM20.W50.W50.EP.0	LM20.W50.W50.TE.0						
BSOD DN 3"	On request	On request						
BSOD DN 4"	On request	On request						
BSOD DN 6"	On request	On request						

Note: Actual data to collect at www.LM-Biotech.ch. Specifications and design are subject to change without notice. Date of revision: 03/14