

2.1 CLAMP FERRULE WITH REINFORCED WALL THICKNESS ACCORDING DIN32676

TECHNICAL DATA

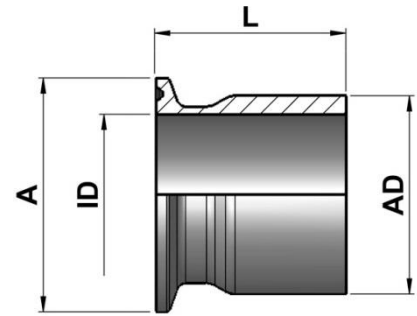
Standard sizes	<ul style="list-style-type: none"> • DIN DN04 - DIN DN200 • ISO DN06 - ISO DN200 • OD 1/4" - 6"
Material	Medium contacted: <ul style="list-style-type: none"> • 14435 BN2 (316L) • Special materials e.g. Hastelloy, Titan, 1.4539 etc. on request
Gasket	
Surface quality	Medium contacted: <ul style="list-style-type: none"> • electro polished Ra < 0,6µm • other qualities on request Non medium contacted: <ul style="list-style-type: none"> • electro polished Ra > 1,6µm
Tracability	Product contacted material marked with material no. and heat no.
Media	Gases and liquids
Operating temperature	-10°C to +140°C
Operating pressure	<ul style="list-style-type: none"> • DIN DN10 - DN40 = 40 bar • DIN DN50 - DN65 = 25 bar • DIN DN80 - DN100 = 16 • ISO DN08 - DN25 = 40 bar • ISO DN32 - DN50 = 25 bar • ISO DN65 - DN100 = 16 bar • BS-OD 1/2" - 1 1/2" = 40 bar • BS-OD 2" - 2 1/2" = 25 bar • BS-OD 3" - 4" = 16 bar
Operating temperature gaskets	
Applicable standards	Pipe dimensions: <ul style="list-style-type: none"> • DIN (DIN11866 Series A) • ISO (DIN11866 Series B) • BSOD (DIN11866 Series C)
Certification	Medium contacted: <ul style="list-style-type: none"> • EN 10204 / 3.1

2.1 CLAMP FERRULE WITH REINFORCED WALL THICKNESS ACCORDING DIN32676

Note: Actual data to collect at www.LM-Biotech.ch. Specifications and design are subject to change without notice. Date of revision: 11/13



2.1 CLAMP FERRULE WITH REINFORCED WALL THICKNESS ACCORDING DIN32676



Tankanschweissklemmstutzen DIN32676

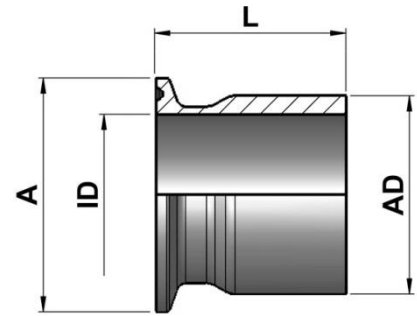
2.1.1 CLAMP FERRULE WITH REINFORCED WALL THICKNESS

Size	Article-No.	Pipe-AD [mm]	Pipe-ID [mm]	Length L [mm]	Diam. A [mm]	Weight [kg]						
DIN DN04 Plate- ø25mm	1101 1004 0000 xxxx	18.00	4.00	40.00	25.00	0.00						
DIN DN04 Plate- ø34mm	1101 1004 0001 xxxx	12.00	4.00	40.00	34.00	0.06						
DIN DN04 Plate- ø50,5mm	1101 1004 0002 xxxx	12.00	4.00	40.00	50.50	0.11						
DIN DN06 Plate- ø25mm	1101 1006 0000 xxxx	24.00	6.00	40.00	25.00	0.00						
DIN DN06 Plate- ø34mm	1101 1006 0001 xxxx	14.00	6.00	40.00	34.00	0.06						
DIN DN06 Plate- ø50,5mm	1101 1006 0002 xxxx	14.00	6.00	40.00	50.50	0.12						
DIN DN08 Plate- ø25mm	1101 1008 0000 xxxx	24.00	8.00	40.00	25.00	0.00						
DIN DN08 Plate- ø34mm	1101 1008 0001 xxxx	16.00	8.00	40.00	34.00	0.07						
DIN DN08 Plate- ø50,5mm	1101 1008 0002 xxxx	16.00	8.00	40.00	50.50	0.12						
DIN DN10 Plate- ø34mm	1101 1010 0000 xxxx	18.00	10.00	40.00	34.00	0.07						
DIN DN10 Plate- ø50,5mm	1101 1010 0001 xxxx	18.00	10.00	40.00	50.50	0.13						
DIN DN15 Plate- ø34mm	1101 1015 0000 xxxx	24.00	16.00	40.00	34.00	0.09						
DIN DN15 Plate- ø50,5mm	1101 1015 0001 xxxx	24.00	16.00	40.00	50.50	0.14						
DIN DN20 Plate- ø34mm	1101 1020 0000 xxxx	28.00	20.00	40.00	34.00	0.09						
DIN DN20 Plate- ø50,5mm	1101 1020 0001 xxxx	28.00	20.00	40.00	50.50	0.14						
DIN DN25	1101 1025 0000 xxxx	34.00	26.00	40.00	50.50	0.15						
DIN DN32	1101 1032 0000 xxxx	40.00	32.00	44.50	50.50	0.18						
DIN DN40	1101 1040 0000 xxxx	47.00	38.00	44.50	50.50	0.18						
DIN DN50	1101 1050 0000 xxxx	57.00	50.00	44.50	64.00	0.20						
DIN DN65	1101 1065 0000 xxxx	73.00	66.00	48.00	91.00	0.36						
DIN DN80	1101 1080 0000 xxxx	91.00	81.00	48.00	106.00	0.56						
DIN DN100	1101 1100 0000 xxxx	110.00	100.00	54.00	119.00	0.67						

Note: Actual data to collect at www.LM-Biotech.ch. Specifications and design are subject to change without notice. Date of revision: 11/13



2.1 CLAMP FERRULE WITH REINFORCED WALL THICKNESS ACCORDING DIN32676



Tankanschweissklemmstutzen DIN32676

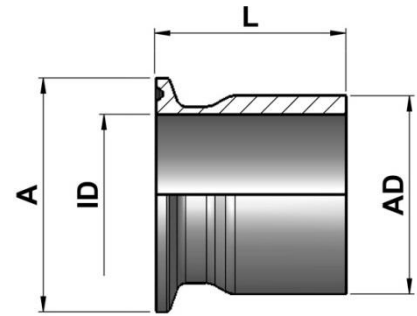
2.1.1 CLAMP FERRULE WITH REINFORCED WALL THICKNESS

Size	Article-No.	Pipe-AD [mm]	Pipe-ID [mm]	Length L [mm]	Diam. A [mm]	Weight [kg]							
DIN DN125	1101 1125 0000 xxxx	135.00	125.00	80.00	155.00	1.54							
DIN DN150	1101 1150 0000 xxxx	160.00	150.00	80.00	183.00	1.90							
DIN DN200	1101 1200 0000 xxxx	210.00	200.00	80.00	233.50	2.52							
ISO DN06 Plate- ø25mm	1101 2006 0000 xxxx	24.00	7.00	40.00	25.00	0.00							
ISO DN06 Plate- ø50,5mm	1101 2006 0001 xxxx	15.00	7.00	40.00	50.50	0.12							
ISO DN08 Plate- ø25mm	1101 2008 0000 xxxx	24.00	10.30	40.00	25.00	0.00							
ISO DN08 Plate- ø50,5mm	1101 2008 0001 xxxx	18.30	10.30	40.00	50.50	0.13							
ISO DN10 Plate- ø25mm	1101 2010 0000 xxxx	24.00	14.00	40.00	25.00	0.00							
ISO DN10 Plate- ø50,5mm	1101 2010 0001 xxxx	22.00	14.00	40.00	50.50	0.13							
ISO DN15	1101 2008 0001 xxxx	26.10	18.10	40.00	50.50	0.14							
ISO DN20	1101 2020 0000 xxxx	31.70	23.70	40.00	50.50	0.15							
ISO DN25	1101 2025 0000 xxxx	37.70	29.70	40.00	50.50	0.16							
ISO DN32	1101 2032 0000 xxxx	47.40	38.40	44.50	64.00	0.26							
ISO DN40	1101 2040 0000 xxxx	53.30	44.30	44.50	64.00	0.26							
ISO DN50	1101 2050 0000 xxxx	65.30	56.30	44.50	77.50	0.34							
ISO DN65	1101 2065 0000 xxxx	81.10	72.10	48.00	91.00	0.40							
ISO DN80	1101 2080 0000 xxxx	93.30	84.30	48.00	106.00	0.49							
ISO DN100	1101 2100 0000 xxxx	119.70	109.70	54.00	130.00	0.75							
ISO DN125	1101 2125 0000 xxxx	144.50	134.50	80.00	155.00	1.45							
ISO DN150	1101 2150 0000 xxxx	173.10	163.10	80.00	183.00	1.73							
ISO DN200	1101 2200 0000 xxxx	223.90	213.90	80.00	233.50	2.25							
OD 1-4" Plate- ø25mm	1101 3002 0000 xxxx	18.00	3.00	40.00	25.00	0.00							
OD 1-4" Plate- ø50,5mm	1101 3002 0001 xxxx	11.00	3.00	40.00	50.50	0.11							
OD 3-8" Plate- ø25mm	1101 3003 0000 xxxx	18.00	4.00	40.00	25.00	0.00							
OD 3-8" Plate- ø50,5mm	1101 3003 0001 xxxx	12.00	4.00	40.00	50.50	0.11							

Note: Actual data to collect at www.LM-Biotech.ch. Specifications and design are subject to change without notice. Date of revision: 11/13



2.1 CLAMP FERRULE WITH REINFORCED WALL THICKNESS ACCORDING DIN32676



Tankanschweissklemmstutzen DIN32676

2.1.1 CLAMP FERRULE WITH REINFORCED WALL THICKNESS

Size	Article-No.	Pipe-AD [mm]	Pipe-ID [mm]	Length L [mm]	Diam. A [mm]	Weight [kg]						
OD 1-2" Plate- ø25mm	1101 3005 0000 xxxx	24.00	9.40	40.00	25.00	0.00						
OD 1-2" Plate- ø50,5mm	1101 3005 0001 xxxx	17.40	9.40	40.00	50.50	0.12						
OD 3-4" Plate- ø25mm	1101 3007 0000 xxxx	24.00	15.75	40.00	25.00	0.00						
OD 3-4" Plate- ø50,5mm	1101 3007 0001 xxxx	23.75	15.75	40.00	50.50	0.14						
OD 1"	1101 3010 0000 xxxx	30.10	22.10	41.30	50.50	0.15						
OD 1 1/2"	1101 3015 0000 xxxx	42.80	34.80	41.30	50.50	0.15						
OD 2"	1101 3020 0000 xxxx	55.50	47.50	44.50	64.00	0.23						
OD 2 1/2"	1101 3025 0000 xxxx	68.20	60.20	44.50	77.50	0.27						
OD 3"	1101 3030 0000 xxxx	81.90	72.90	48.00	91.00	0.39						
OD 3 1/2"	1101 3035 0000 xxxx	93.30	84.30	48.00	106.00	0.49						
OD 4"	1101 3040 0000 xxxx	107.40	97.40	54.00	119.00	0.70						
OD 4 1/2"	1101 3045 0000 xxxx	119.10	109.10	54.00	130.00	0.76						
OD 5"	1101 3050 0000 xxxx	130.00	120.00	80.00	144.50	1.30						
OD 6"	1101 3060 0000 xxxx	156.86	146.86	80.00	167.00	1.50						

Note: Actual data to collect at www.LM-Biotech.ch. Specifications and design are subject to change without notice. Date of revision: 11/13