



2.2 CLAMP FERRULE CONICAL OPENING FLAT ACCORDING DIN32676



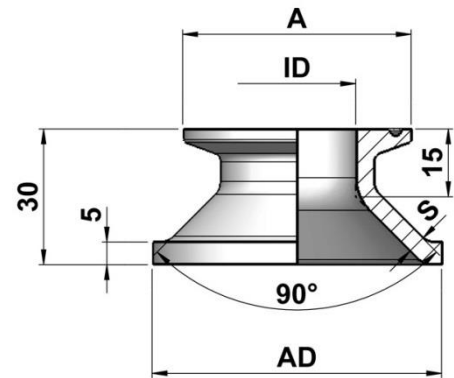
TECHNICAL DATA

Standard sizes	<ul style="list-style-type: none"> • DIN DN04 - DIN DN200 • ISO DN06 - ISO DN200 • OD 1/4" - 6"
Material	Medium contacted: <ul style="list-style-type: none"> • 14435 BN2 (316L) • Special materials e.g. Hastelloy, Titan, 1.4539 etc. on request
Gasket	
Surface quality	Medium contacted: <ul style="list-style-type: none"> • electro polished Ra < 0,6µm • other qualities on request Non medium contacted: <ul style="list-style-type: none"> • electro polished Ra > 1,6µm
Tracability	Product contacted material marked with material no. and heat no.
Media	Gases and liquids
Operating temperature	-10°C to +140°C
Betriebsdruck	Needs to be inspected by the customer during calculation of tank
Operating temperature gaskets	
Applicable standards	Pipe dimensions: <ul style="list-style-type: none"> • DIN (DIN11866 Series A) • ISO (DIN11866 Series B) • BSOD (DIN11866 Series C)
Certification	Medium contacted: <ul style="list-style-type: none"> • EN 10204 / 3.1

2.2 CLAMP FERRULE CONICAL OPENING FLAT ACCORDING DIN32676

Note: Actual data to collect at www.LM-Biotech.ch. Specifications and design are subject to change without notice. Date of revision: 11/13

2.2 CLAMP FERRULE CONICAL OPENING FLAT ACCORDING DIN32676



TC_Tankstutzen konisch öffnend flach

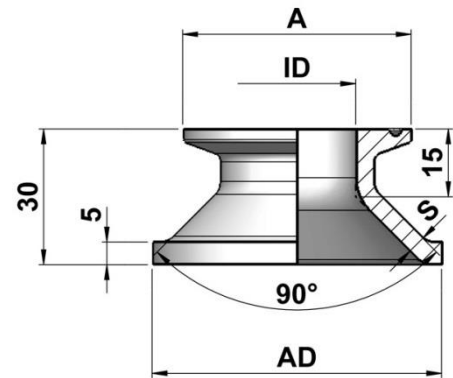
2.2.1 CLAMP FERRULE CONICAL OPENING FLAT ACCORDING DIN32676

Size	Article-No.	Pipe-AD [mm]	Pipe-ID [mm]	Length L [mm]	Diam. A [mm]	Thickn. S [mm]	Hight H [mm]				
DIN DN04 Plate- ø25mm	1201 1004 0000 xxxx	48.00	4.00	12.00	25.00	3.00	30				
DIN DN04 Plate- ø34mm	1201 1004 0001 xxxx	48.00	4.00	15.00	34.00	3.00	30				
DIN DN04 Plate- ø50,5mm	1201 1004 0002 xxxx	50.00	4.00	15.00	50.50	3.00	30				
DIN DN06 Plate- ø25mm	1201 1006 0000 xxxx	48.00	6.00	12.00	25.00	3.00	30				
DIN DN06 Plate- ø34mm	1201 1006 0001 xxxx	48.00	6.00	15.00	34.00	3.00	30				
DIN DN06 Plate- ø50,5mm	1201 1006 0002 xxxx	50.00	6.00	15.00	50.50	3.00	30				
DIN DN08 Plate- ø25mm	1201 1008 0000 xxxx	48.00	8.00	12.00	25.00	3.00	30				
DIN DN08 Plate- ø34mm	1201 1008 0001 xxxx	48.00	8.00	15.00	34.00	3.00	30				
DIN DN08 Plate- ø50,5mm	1201 1008 0002 xxxx	50.00	8.00	15.00	50.50	3.00	30				
DIN DN10 Plate- ø34mm	1201 1010 0000 xxxx	50.00	10.00	15.00	34.00	4.00	30				
DIN DN10 Plate- ø50,5mm	1201 1010 0001 xxxx	50.00	10.00	15.00	50.50	4.00	30				
DIN DN15 Plate- ø34mm	1201 1015 0000 xxxx	58.00	16.00	15.00	34.00	4.00	30				
DIN DN15 Plate- ø50,5mm	1201 1015 0001 xxxx	58.00	16.00	15.00	50.50	4.00	30				
DIN DN20 Plate- ø34mm	1201 1020 0000 xxxx	58.00	20.00	15.00	34.00	4.00	30				
DIN DN20 Plate- ø50,5mm	1201 1020 0001 xxxx	58.00	20.00	15.00	50.50	4.00	30				
DIN DN25	1201 1025 0000 xxxx	64.00	26.00	15.00	50.50	4.00	30				
DIN DN32	1201 1032 0000 xxxx	73.00	32.00	15.00	50.50	4.00	30				
DIN DN40	1201 1040 0000 xxxx	78.00	38.00	15.00	50.50	4.00	30				
DIN DN50	1201 1050 0000 xxxx	93.00	50.00	15.00	64.00	5.00	30				
DIN DN65	1201 1065 0000 xxxx	108.00	66.00	20.00	91.00	5.00	30				
DIN DN80	1201 1080 0000 xxxx	128.00	81.00	20.00	106.00	5.00	30				
DIN DN100	1201 1100 0000 xxxx	156.00	100.00	20.00	119.00	5.00	40				

 Note: Actual data to collect at www.LM-Biotech.ch. Specifications and design are subject to change without notice. Date of revision: 11/13



2.2 CLAMP FERRULE CONICAL OPENING FLAT ACCORDING DIN32676



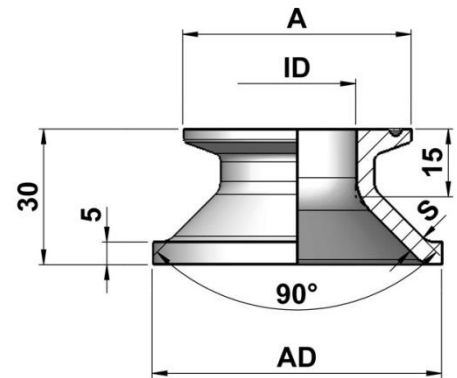
TC_Tankstutzen konisch öffnend flach

2.2.1 CLAMP FERRULE CONICAL OPENING FLAT ACCORDING DIN32676

Size	Article-No.	Pipe-AD [mm]	Pipe-ID [mm]	Length L [mm]	Diam. A [mm]	Thickn. S [mm]	Hight H [mm]				
DIN DN125	1201 1125 0000 xxxx	178.00	125.00	20.00	155.00	5.00	40				
DIN DN150	1201 1150 0000 xxxx	208.00	150.00	20.00	183.00	5.00	40				
DIN DN200	1201 1200 0000 xxxx	258.00	200.00	20.00	233.50	5.00	40				
ISO DN06 Plate- ø25mm	1201 2006 0000 xxxx	48.00	7.00	12.00	25.00	3.00	30				
ISO DN06 Plate- ø50,5mm	1201 2006 0001 xxxx	48.00	7.00	15.00	50.50	3.00	30				
ISO DN08 Plate- ø25mm	1201 2008 0000 xxxx	51.00	10.30	12.00	25.00	3.00	30				
ISO DN08 Plate- ø50,5mm	1201 2008 0001 xxxx	50.00	10.30	15.00	50.50	3.00	30				
ISO DN10 Plate- ø25mm	1201 2010 0000 xxxx	56.00	14.00	12.00	25.00	3.00	30				
ISO DN10 Plate- ø50,5mm	1201 2010 0001 xxxx	51.00	14.00	15.00	50.50	4.00	30				
ISO DN15	1201 2008 0001 xxxx	58.00	18.10	15.00	50.50	4.00	30				
ISO DN20	1201 2020 0000 xxxx	64.00	23.70	15.00	50.50	4.00	30				
ISO DN25	1201 2025 0000 xxxx	68.00	29.70	15.00	50.50	4.00	30				
ISO DN32	1201 2032 0000 xxxx	78.00	38.40	15.00	64.00	4.00	30				
ISO DN40	1201 2040 0000 xxxx	84.00	44.30	15.00	64.00	4.00	30				
ISO DN50	1201 2050 0000 xxxx	98.00	56.30	15.00	77.50	4.00	30				
ISO DN65	1201 2065 0000 xxxx	118.00	72.10	20.00	91.00	5.00	30				
ISO DN80	1201 2080 0000 xxxx	128.00	84.30	20.00	106.00	5.00	30				
ISO DN100	1201 2100 0000 xxxx	168.00	109.70	20.00	130.00	5.00	40				
ISO DN125	1201 2125 0000 xxxx	194.00	134.50	20.00	155.00	5.00	40				
ISO DN150	1201 2150 0000 xxxx	218.00	163.10	20.00	183.00	5.00	40				
ISO DN200	1201 2200 0000 xxxx	278.00	213.90	20.00	233.50	5.00	40				
OD 1-4" Plate- ø25mm	1201 3002 0000 xxxx	44.00	3.00	12.00	25.00	3.00	30				
OD 1-4" Plate- ø50,5mm	1201 3002 0001 xxxx	51.00	3.00	15.00	50.50	3.00	30				
OD 3-8" Plate- ø25mm	1201 3003 0000 xxxx	48.00	4.00	12.00	25.00	3.00	30				
OD 3-8" Plate- ø50,5mm	1201 3003 0001 xxxx	48.00	4.00	15.00	50.50	3.00	30				

Note: Actual data to collect at www.LM-Biotech.ch. Specifications and design are subject to change without notice. Date of revision: 11/13

2.2 CLAMP FERRULE CONICAL OPENING FLAT ACCORDING DIN32676



TC_Tankstutzen konisch öffnend flach

2.2.1 CLAMP FERRULE CONICAL OPENING FLAT ACCORDING DIN32676

Size	Article-No.	Pipe-AD [mm]	Pipe-ID [mm]	Length L [mm]	Diam. A [mm]	Thickn. S [mm]	Hight H [mm]				
OD 1-2" Plate- ø25mm	1201 3005 0000 xxxx	48.00	9.40	12.00	25.00	3.00	30				
OD 1-2" Plate- ø50,5mm	1201 3005 0001 xxxx	51.00	9.40	15.00	50.50	4.00	30				
OD 3-4" Plate- ø25mm	1201 3007 0000 xxxx	56.00	15.75	12.00	25.00	3.00	30				
OD 3-4" Plate- ø50,5mm	1201 3007 0001 xxxx	58.00	15.75	15.00	50.50	4.00	30				
OD 1"	1201 3010 0000 xxxx	64.00	22.10	15.00	50.50	4.00	30				
OD 1 1/2"	1201 3015 0000 xxxx	75.00	34.80	15.00	50.50	4.00	30				
OD 2"	1201 3020 0000 xxxx	88.00	47.50	15.00	64.00	4.00	30				
OD 2 1/2"	1201 3025 0000 xxxx	99.00	60.20	15.00	77.50	4.00	30				
OD 3"	1201 3030 0000 xxxx	115.00	72.90	15.00	91.00	4.00	30				
OD 3 1/2"	1201 3035 0000 xxxx	128.00	84.30	20.00	106.00	5.00	30				
OD 4"	1201 3040 0000 xxxx	149.00	97.40	20.00	119.00	5.00	40				
OD 4 1/2"	1201 3045 0000 xxxx	168.00	109.10	20.00	130.00	5.00	40				
OD 5"	1201 3050 0000 xxxx	178.00	120.00	20.00	144.50	5.00	40				
OD 6"	1201 3060 0000 xxxx	199.00	146.86	20.00	167.00	5.00	40				