



## 2.3.1 CLAMP FERRULE CONICAL OPENING HIGH ACCORDING DIN32676

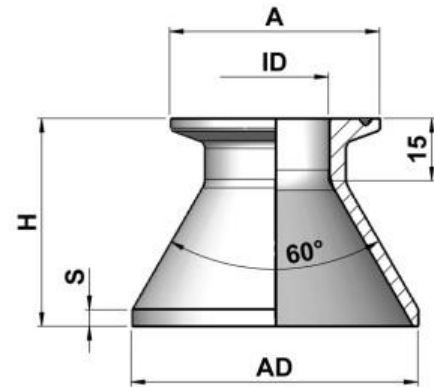


### TECHNICAL DATA

<b>Standard sizes</b>	<ul style="list-style-type: none"><li>• DIN DN04 - DIN DN200</li><li>• ISO DN06 - ISO DN200</li><li>• OD 1/4" - 6"</li></ul>
<b>Material</b>	Medium contacted: <ul style="list-style-type: none"><li>• 14435 BN2 (316L)</li><li>• Special materials e.g. Hastelloy, Titan, 1.4539 etc. on request</li></ul>
<b>Gasket</b>	
<b>Surface quality</b>	Medium contacted: <ul style="list-style-type: none"><li>• electro polished Ra &lt; 0,6µm</li><li>• other qualities on request</li></ul> Non medium contacted: <ul style="list-style-type: none"><li>• electro polished Ra &gt; 1,6µm</li></ul>
<b>Tracability</b>	Product contacted material marked with material no. and heat no.
<b>Media</b>	Gases and liquids
<b>Operating temperature</b>	-10°C to +140°C
<b>Betriebsdruck</b>	Needs to be inspected by the customer during calculation of tank
<b>Operating temperature gaskets</b>	
<b>Applicable standards</b>	Pipe dimensions: <ul style="list-style-type: none"><li>• DIN (DIN11866 Series A)</li><li>• ISO (DIN11866 Series B)</li><li>• BSOD (DIN11866 Series C)</li></ul>
<b>Certification</b>	Medium contacted: <ul style="list-style-type: none"><li>• EN 10204 / 3.1</li></ul>

**2.3.1 CLAMP FERRULE CONICAL OPENING HIGH ACCORDING DIN32676**Note: Actual data to collect at [www.LM-Biotech.ch](http://www.LM-Biotech.ch). Specifications and design are subject to change without notice. Date of revision: 11/13

## 2.3.1 CLAMP FERRULE CONICAL OPENING HIGH ACCORDING DIN32676



TC-Tankstutzen konisch hoch

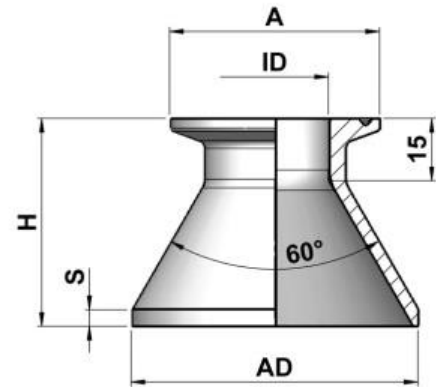
### 2.3.1.1 CLAMP FERRULE CONICAL OPENING HIGH ACCORDING DIN32676

Size	Article-No.	Pipe-AD [mm]	Pipe-ID [mm]	Length L [mm]	Diam. A [mm]	Thickn. S [mm]	Width B [mm]	Hight H [mm]			
DIN DN04 Plate- ø25mm	1301 1004 0000 xxxx	55.00	4.00	12.00	25.00	5.00	4	50			
DIN DN04 Plate- ø34mm	1301 1004 0001 xxxx	48.00	4.00	15.00	34.00	3.50	4	50			
DIN DN04 Plate- ø50,5mm	1301 1004 0002 xxxx	48.00	4.00	15.00	50.50	3.50	4	50			
DIN DN06 Plate- ø25mm	1301 1006 0000 xxxx	55.00	6.00	12.00	25.00	4.50					
DIN DN06 Plate- ø34mm	1301 1006 0001 xxxx	51.00	6.00	15.00	34.00	4.00					
DIN DN06 Plate- ø50,5mm	1301 1006 0002 xxxx	51.00	6.00	15.00	50.50	4.00	4	50			
DIN DN08 Plate- ø25mm	1301 1008 0000 xxxx	55.00	8.00	12.00	25.00	3.50	4	50			
DIN DN08 Plate- ø34mm	1301 1008 0001 xxxx	51.00	8.00	15.00	34.00	3.00	4	50			
DIN DN08 Plate- ø50,5mm	1301 1008 0002 xxxx	51.00	8.00	15.00	50.50	3.00	4	50			
DIN DN10 Plate- ø34mm	1301 1010 0000 xxxx	55.00	10.00	15.00	34.00	4.00	4	50			
DIN DN10 Plate- ø50,5mm	1301 1010 0001 xxxx	56.00	10.00	15.00	50.50	4.00	4	50			
DIN DN15 Plate- ø34mm	1301 1015 0000 xxxx	59.00	16.00	15.00	34.00	3.00	4	50			
DIN DN15 Plate- ø50,5mm	1301 1015 0001 xxxx	59.00	16.00	15.00	50.50	3.00	4	50			
DIN DN20 Plate- ø34mm	1301 1020 0000 xxxx	64.00	20.00	15.00	34.00	3.50	4	50			
DIN DN20 Plate- ø50,5mm	1301 1020 0001 xxxx	64.00	20.00	15.00	50.50	3.50	4	50			
DIN DN25	1301 1025 0000 xxxx	69.00	26.00	15.00	50.50	3.00	4	50			
DIN DN32	1301 1032 0000 xxxx	76.00	32.00	15.00	50.50	3.50	4	50			
DIN DN40	1301 1040 0000 xxxx	93.00	38.00	15.00	50.50	3.00	4	60			
DIN DN50	1301 1050 0000 xxxx	106.00	50.00	15.00	64.00	3.50	4	60			
DIN DN65	1301 1065 0000 xxxx	118.00	66.00	20.00	91.00	4.50	4	60			
DIN DN80	1301 1080 0000 xxxx	134.00	81.00	20.00	106.00	5.00	4	60			
DIN DN100	1301 1100 0000 xxxx	168.00	100.00	20.00	119.00	5.00	4	75			

 Note: Actual data to collect at [www.LM-Biotech.ch](http://www.LM-Biotech.ch). Specifications and design are subject to change without notice. Date of revision: 11/13



## 2.3.1 CLAMP FERRULE CONICAL OPENING HIGH ACCORDING DIN32676



TC-Tankstutzen konisch hoch

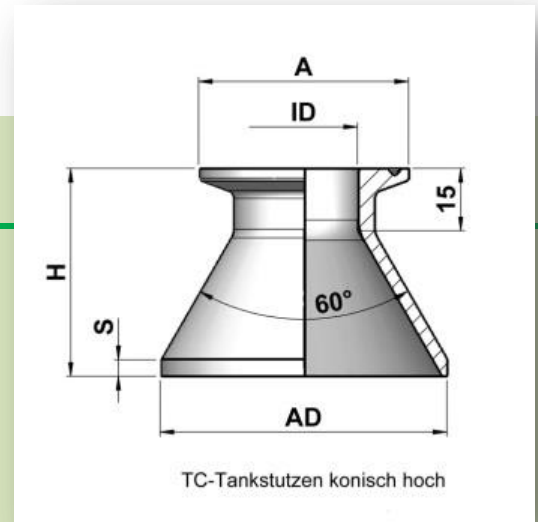
### 2.3.1.1 CLAMP FERRULE CONICAL OPENING HIGH ACCORDING DIN32676

Size	Article-No.	Pipe-AD [mm]	Pipe-ID [mm]	Length L [mm]	Diam. A [mm]	Thickn. S [mm]	Width B [mm]	Hight H [mm]			
DIN DN125	1301 1125 0000 xxxx	198.00	125.00	20.00	155.00	7.00	4	75			
DIN DN150	1301 1150 0000 xxxx	218.00	150.00	20.00	183.00	5.00	4	75			
DIN DN200	1301 1200 0000 xxxx	268.00	200.00	20.00	233.50	5.00	4	75			
ISO DN06 Plate- ø25mm	1301 2006 0000 xxxx	55.00	7.00	12.00	25.00	4.00	4	50			
ISO DN06 Plate- ø50,5mm	1301 2006 0001 xxxx	51.00	7.00	15.00	50.50	3.50	4	50			
ISO DN08 Plate- ø25mm	1301 2008 0000 xxxx	57.00	10.30	12.00	25.00	3.50	4	50			
ISO DN08 Plate- ø50,5mm	1301 2008 0001 xxxx	54.00	10.30	15.00	50.50	3.00	4	50			
ISO DN10 Plate- ø25mm	1301 2010 0000 xxxx	60.00	14.00	12.00	25.00	3.00	4	50			
ISO DN10 Plate- ø50,5mm	1301 2010 0001 xxxx	59.00	14.00	15.00	50.50	4.00	4	50			
ISO DN15	1301 2008 0001 xxxx	64.00	18.10	15.00	50.50	4.00	4	50			
ISO DN20	1301 2020 0000 xxxx	69.00	23.70	15.00	50.50	4.00	4	50			
ISO DN25	1301 2025 0000 xxxx	74.00	29.70	15.00	50.50	3.50	4	50			
ISO DN32	1301 2032 0000 xxxx	84.00	38.40	15.00	64.00	4.00	4	50			
ISO DN40	1301 2040 0000 xxxx	99.00	44.30	15.00	64.00	3.00	4	60			
ISO DN50	1301 2050 0000 xxxx	115.00	56.30	15.00	77.50	4.50	4	60			
ISO DN65	1301 2065 0000 xxxx	124.00	72.10	20.00	91.00	4.50	4	60			
ISO DN80	1301 2080 0000 xxxx	138.00	84.30	20.00	106.00	5.00	4	60			
ISO DN100	1301 2100 0000 xxxx	178.00	109.70	20.00	130.00	5.00	6	75			
ISO DN125	1301 2125 0000 xxxx	203.00	134.50	20.00	155.00	5.00	6	75			
ISO DN150	1301 2150 0000 xxxx	232.00	163.10	20.00	183.00	5.00	6	75			
ISO DN200	1301 2200 0000 xxxx	283.00	213.90	20.00	233.50	5.00	6	75			
OD 1-4" Plate- ø25mm	1301 3002 0000 xxxx	55.00	3.00	12.00	25.00	5.50	4	50			
OD 1-4" Plate- ø50,5mm	1301 3002 0001 xxxx	48.00	3.00	15.00	50.50	4.00	4	50			
OD 3-8" Plate- ø25mm	1301 3003 0000 xxxx	55.00	4.00	12.00	25.00	5.50	4	50			
OD 3-8" Plate- ø50,5mm	1301 3003 0001 xxxx	48.00	4.00	15.00	50.50	3.50	4	50			

Note: Actual data to collect at [www.LM-Biotech.ch](http://www.LM-Biotech.ch). Specifications and design are subject to change without notice. Date of revision: 11/13



## 2.3.1 CLAMP FERRULE CONICAL OPENING HIGH ACCORDING DIN32676



### 2.3.1.1 CLAMP FERRULE CONICAL OPENING HIGH ACCORDING DIN32676

Size	Article-No.	Pipe-AD [mm]	Pipe-ID [mm]	Length L [mm]	Diam. A [mm]	Thickn. S [mm]	Width B [mm]	Hight H [mm]			
OD 1-2" Plate- ø25mm	1301 3005 0000 xxxx	55.00	9.40	12.00	25.00	3.00	4	50			
OD 1-2" Plate- ø50,5mm	1301 3005 0001 xxxx	54.00	9.40	15.00	50.50	3.50	4	50			
OD 3-4" Plate- ø25mm	1301 3007 0000 xxxx	62.00	15.75	12.00	25.00	3.00	4	50			
OD 3-4" Plate- ø50,5mm	1301 3007 0001 xxxx	59.00	15.75	15.00	50.50	3.00	4	50			
OD 1"	1301 3010 0000 xxxx	69.00	22.10	15.00	50.50	4.50	4	50			
OD 1 1/2"	1301 3015 0000 xxxx	78.00	34.80	15.00	50.50	3.00	4	50			
OD 2"	1301 3020 0000 xxxx	93.00	47.50	15.00	64.00	4.00	4	50			
OD 2 1/2"	1301 3025 0000 xxxx	115.00	60.20	15.00	77.50	3.00	4	60			
OD 3"	1301 3030 0000 xxxx	129.00	72.90	15.00	91.00	3.50	4	60			
OD 3 1/2"	1301 3035 0000 xxxx	134.00	84.30	20.00	106.00	3.50	4	60			
OD 4"	1301 3040 0000 xxxx	149.00	97.40	20.00	119.00	4.00	4	60			
OD 4 1/2"	1301 3045 0000 xxxx	178.00	109.10	20.00	130.00	5.00	6	75			
OD 5"	1301 3050 0000 xxxx	189.00	120.00	20.00	144.50	5.00	6	75			
OD 6"	1301 3060 0000 xxxx	216.00	146.86	20.00	167.00	5.00	6	75			

Note: Actual data to collect at [www.LM-Biotech.ch](http://www.LM-Biotech.ch). Specifications and design are subject to change without notice. Date of revision: 11/13