



2.3.2 CLAMP FERRULE CONICAL OPENING ANGULAR ACCORDING DIN32676



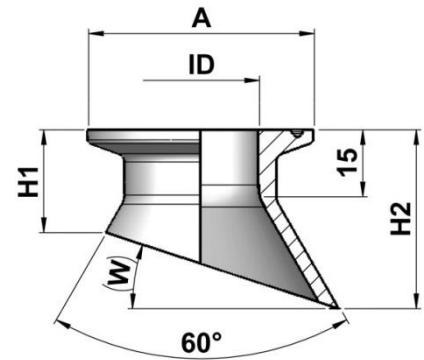
TECHNICAL DATA

Standard sizes	<ul style="list-style-type: none">• DIN DN04 - DIN DN200• ISO DN06 - ISO DN200• OD 1/4" - 6"
Material	Medium contacted: <ul style="list-style-type: none">• 14435 BN2 (316L)• Special materials e.g. Hastelloy, Titan, 1.4539 etc. on request
Gasket	
Surface quality	Medium contacted: <ul style="list-style-type: none">• electro polished Ra < 0,6µm• other qualities on request Non medium contacted: <ul style="list-style-type: none">• electro polished Ra > 1,6µm
Tracability	Product contacted material marked with material no. and heat no.
Media	Gases and liquids
Operating temperature	-10°C to +140°C
Betriebsdruck	Needs to be inspected by the customer during calculation of tank
Operating temperature gaskets	
Applicable standards	Pipe dimensions: <ul style="list-style-type: none">• DIN (DIN11866 Series A)• ISO (DIN11866 Series B)• BSOD (DIN11866 Series C)
Certification	Medium contacted: <ul style="list-style-type: none">• EN 10204 / 3.1

2.3.2 CLAMP FERRULE CONICAL OPENING ANGULAR ACCORDING DIN32676

Note: Actual data to collect at www.LM-Biotech.ch. Specifications and design are subject to change without notice. Date of revision: 11/13

2.3.2 CLAMP FERRULE CONICAL OPENING ANGULAR ACCORDING DIN32676



TC-Tankstutzen konisch hoch, schräg gefräst

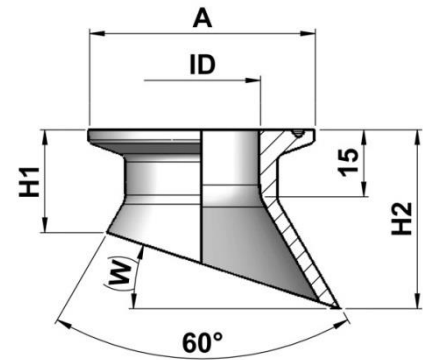
2.3.2.1 CLAMP FERRULE CONICAL OPENING ANGULAR ACCORDING DIN32676

Size	Article-No.	Pipe-AD [mm]	Pipe-ID [mm]	Length L [mm]	Diam. A [mm]	Thickn. S [mm]	Hight H1 [mm]	Hight H2 [mm]	Angle W [°]		
DIN DN04 Plate- ø25mm	1401 1004 0000 xxxx	55.00	4.00	12.00	25.00	5.00	*	*	*		
DIN DN04 Plate- ø34mm	1401 1004 0001 xxxx	48.00	4.00	15.00	34.00	3.50	*	*	*		
DIN DN04 Plate- ø50,5mm	1401 1004 0002 xxxx	48.00	4.00	15.00	50.50	3.50	*	*	*		
DIN DN06 Plate- ø25mm	1401 1006 0000 xxxx	55.00	6.00	12.00	25.00	4.50	*	*	*		
DIN DN06 Plate- ø34mm	1401 1006 0001 xxxx	51.00	6.00	15.00	34.00	4.00	*	*	*		
DIN DN06 Plate- ø50,5mm	1401 1006 0002 xxxx	51.00	6.00	15.00	50.50	4.00	*	*	*		
DIN DN08 Plate- ø25mm	1401 1008 0000 xxxx	55.00	8.00	12.00	25.00	3.50	*	*	*		
DIN DN08 Plate- ø34mm	1401 1008 0001 xxxx	51.00	8.00	15.00	34.00	3.00	*	*	*		
DIN DN08 Plate- ø50,5mm	1401 1008 0002 xxxx	51.00	8.00	15.00	50.50	3.00	*	*	*		
DIN DN10 Plate- ø34mm	1401 1010 0000 xxxx	55.00	10.00	15.00	34.00	4.00	*	*	*		
DIN DN10 Plate- ø50,5mm	1401 1010 0001 xxxx	56.00	10.00	15.00	50.50	4.00	*	*	*		
DIN DN15 Plate- ø34mm	1401 1015 0000 xxxx	59.00	16.00	15.00	34.00	3.00	*	*	*		
DIN DN15 Plate- ø50,5mm	1401 1015 0001 xxxx	59.00	16.00	15.00	50.50	3.00	*	*	*		
DIN DN20 Plate- ø34mm	1401 1020 0000 xxxx	64.00	20.00	15.00	34.00	3.50	*	*	*		
DIN DN20 Plate- ø50,5mm	1401 1020 0001 xxxx	64.00	20.00	15.00	50.50	3.50	*	*	*		
DIN DN25	1401 1025 0000 xxxx	69.00	26.00	15.00	50.50	3.00	*	*	*		
DIN DN32	1401 1032 0000 xxxx	76.00	32.00	15.00	50.50	3.50	*	*	*		
DIN DN40	1401 1040 0000 xxxx	93.00	38.00	15.00	50.50	3.00	*	*	*		
DIN DN50	1401 1050 0000 xxxx	106.00	50.00	15.00	64.00	3.50	*	*	*		
DIN DN65	1401 1065 0000 xxxx	118.00	66.00	20.00	91.00	4.50	*	*	*		
DIN DN80	1401 1080 0000 xxxx	134.00	81.00	20.00	106.00	5.00	*	*	*		
DIN DN100	1401 1100 0000 xxxx	168.00	100.00	20.00	119.00	5.00	*	*	*		

* bitte angeben

Note: Actual data to collect at www.LM-Biotech.ch. Specifications and design are subject to change without notice. Date of revision: 11/13

2.3.2 CLAMP FERRULE CONICAL OPENING ANGULAR ACCORDING DIN32676



TC-Tankstutzen konisch hoch, schräg gefräst

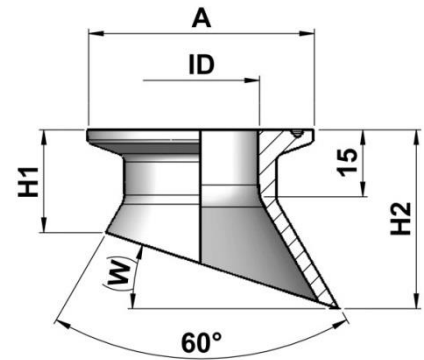
2.3.2.1 CLAMP FERRULE CONICAL OPENING ANGULAR ACCORDING DIN32676

Size	Article-No.	Pipe-AD [mm]	Pipe-ID [mm]	Length L [mm]	Diam. A [mm]	Thickn. S [mm]	Hight H1 [mm]	Hight H2 [mm]	Angle W [°]		
DIN DN125	1401 1125 0000 xxxx	198.00	125.00	20.00	155.00	7.00	*	*	*		
DIN DN150	1401 1150 0000 xxxx	218.00	150.00	20.00	183.00	5.00	*	*	*		
DIN DN200	1401 1200 0000 xxxx	268.00	200.00	20.00	233.50	5.00	*	*	*		
ISO DN06 Plate- ø25mm	1401 2006 0000 xxxx	55.00	7.00	12.00	25.00	4.00	*	*	*		
ISO DN06 Plate- ø50,5mm	1401 2006 0001 xxxx	51.00	7.00	15.00	50.50	3.50	*	*	*		
ISO DN08 Plate- ø25mm	1401 2008 0000 xxxx	57.00	10.30	12.00	25.00	3.50	*	*	*		
ISO DN08 Plate- ø50,5mm	1401 2008 0001 xxxx	54.00	10.30	15.00	50.50	3.00	*	*	*		
ISO DN10 Plate- ø25mm	1401 2010 0000 xxxx	60.00	14.00	12.00	25.00	3.00	*	*	*		
ISO DN10 Plate- ø50,5mm	1401 2010 0001 xxxx	59.00	14.00	15.00	50.50	4.00	*	*	*		
ISO DN15	1401 2008 0001 xxxx	64.00	18.10	15.00	50.50	4.00	*	*	*		
ISO DN20	1401 2020 0000 xxxx	69.00	23.70	15.00	50.50	4.00	*	*	*		
ISO DN25	1401 2025 0000 xxxx	74.00	29.70	15.00	50.50	3.50	*	*	*		
ISO DN32	1401 2032 0000 xxxx	84.00	38.40	15.00	64.00	4.00	*	*	*		
ISO DN40	1401 2040 0000 xxxx	99.00	44.30	15.00	64.00	3.00	*	*	*		
ISO DN50	1401 2050 0000 xxxx	115.00	56.30	15.00	77.50	4.50	*	*	*		
ISO DN65	1401 2065 0000 xxxx	124.00	72.10	20.00	91.00	4.50	*	*	*		
ISO DN80	1401 2080 0000 xxxx	138.00	84.30	20.00	106.00	5.00	*	*	*		
ISO DN100	1401 2100 0000 xxxx	178.00	109.70	20.00	130.00	5.00	*	*	*		
ISO DN125	1401 2125 0000 xxxx	203.00	134.50	20.00	155.00	5.00	*	*	*		
ISO DN150	1401 2150 0000 xxxx	232.00	163.10	20.00	183.00	5.00	*	*	*		
ISO DN200	1401 2200 0000 xxxx	283.00	213.90	20.00	233.50	5.00	*	*	*		
OD 1-4" Plate- ø25mm	1401 3002 0000 xxxx	55.00	3.00	12.00	25.00	5.50	*	*	*		
OD 1-4" Plate- ø50,5mm	1401 3002 0001 xxxx	48.00	3.00	15.00	50.50	4.00	*	*	*		
OD 3-8" Plate- ø25mm	1401 3003 0000 xxxx	55.00	4.00	12.00	25.00	5.50	*	*	*		
OD 3-8" Plate- ø50,5mm	1401 3003 0001 xxxx	48.00	4.00	15.00	50.50	3.50	*	*	*		

* bitte angeben

Note: Actual data to collect at www.LM-Biotech.ch. Specifications and design are subject to change without notice. Date of revision: 11/13

2.3.2 CLAMP FERRULE CONICAL OPENING ANGULAR ACCORDING DIN32676



TC-Tankstutzen konisch hoch, schräg gefräst

2.3.2.1 CLAMP FERRULE CONICAL OPENING ANGULAR ACCORDING DIN32676

Size	Article-No.	Pipe-AD [mm]	Pipe-ID [mm]	Length L [mm]	Diam. A [mm]	Thickn. S [mm]	Hight H1 [mm]	Hight H2 [mm]	Angle W [°]		
OD 1-2" Plate- ø25mm	1401 3005 0000 xxxx	55.00	9.40	12.00	25.00	3.00	*	*	*		
OD 1-2" Plate- ø50,5mm	1401 3005 0001 xxxx	54.00	9.40	15.00	50.50	3.50	*	*	*		
OD 3-4" Plate- ø25mm	1401 3007 0000 xxxx	62.00	15.75	12.00	25.00	3.00	*	*	*		
OD 3-4" Plate- ø50,5mm	1401 3007 0001 xxxx	59.00	15.75	15.00	50.50	3.00	*	*	*		
OD 1"	1401 3010 0000 xxxx	69.00	22.10	15.00	50.50	4.50	*	*	*		
OD 1 1/2"	1401 3015 0000 xxxx	78.00	34.80	15.00	50.50	3.00	*	*	*		
OD 2"	1401 3020 0000 xxxx	93.00	47.50	15.00	64.00	4.00	*	*	*		
OD 2 1/2"	1401 3025 0000 xxxx	115.00	60.20	15.00	77.50	3.00	*	*	*		
OD 3"	1401 3030 0000 xxxx	129.00	72.90	15.00	91.00	3.50	*	*	*		
OD 3 1/2"	1401 3035 0000 xxxx	134.00	84.30	20.00	106.00	3.50	*	*	*		
OD 4"	1401 3040 0000 xxxx	149.00	97.40	20.00	119.00	4.00	*	*	*		
OD 4 1/2"	1401 3045 0000 xxxx	178.00	109.10	20.00	130.00	5.00	*	*	*		
OD 5"	1401 3050 0000 xxxx	189.00	120.00	20.00	144.50	5.00	*	*	*		
OD 6"	1401 3060 0000 xxxx	216.00	146.86	20.00	167.00	5.00	*	*	*		

* bitte angeben