

1.1.1 TRI-CLAMP-CONNECTION ACCORDING DIN32676

TECHNICAL DATA

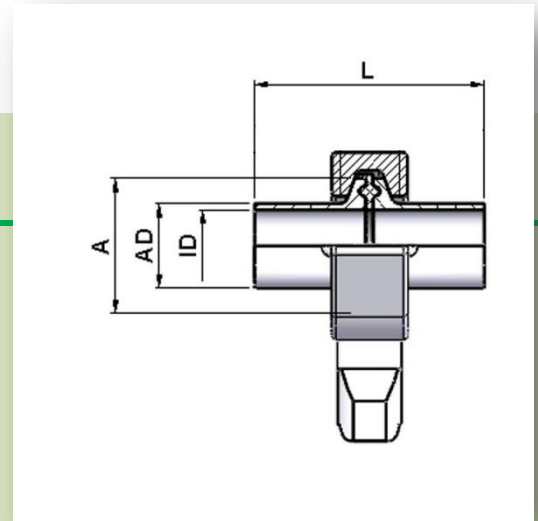
Standard sizes	<ul style="list-style-type: none"> • DIN DN04 - DIN DN200 • ISO DN06 - ISO DN200 • BSOD 1/4" - 6"
Material	<p>Medium contacted:</p> <ul style="list-style-type: none"> • Ws. 1.4435 BN2 (316L) • Special materials e.g. Hastelloy, Titan, 1.4539 etc. on request <p>Non medium contacted:</p> <ul style="list-style-type: none"> • 1.4305 or equivalent
Gasket	<p>Standard gaskets:</p> <ul style="list-style-type: none"> • EPDM • PTFE / Silicone / Viton on order • Special materials on request
Surface quality	<p>Medium contacted:</p> <ul style="list-style-type: none"> • electro polished Ra < 0,6µm • other qualities on request <p>Non medium contacted:</p> <ul style="list-style-type: none"> • electro polished Ra > 1,6µm
Tracability	Product contacted material marked with material no. and heat no.
Media	Gases and liquids
Operating temperature	-10°C to +140°C See temperature resistance chart of gaskets
Operating pressure	<ul style="list-style-type: none"> • DIN DN04 - DN40 = 40 bar • DIN DN50 - DN65 = 25 bar • DIN DN80 - DN100 = 16 bar • ISO DN06 - DN25 = 40 bar • ISO DN32 - DN50 = 25 bar • ISO DN65 - DN100 = 16 bar • BSBSOD 1/4" - 1 1/2" = 40 bar • BSBSOD 2" - 2 1/2" = 25 bar • BSBSOD 3" - 4" = 16 bar
Operating temperature gaskets	<ul style="list-style-type: none"> • EPDM: -40°C bis +90°C, short time up +140°C • PTFE: -60°C bis +160°C, short time up +205°C
Applicable standards	<p>Pipe dimensions:</p> <ul style="list-style-type: none"> • DIN (DIN11866 series A) • ISO (DIN11866 series B) • BSOD (DIN11866 series C)
Certification	<p>Medium contacted:</p> <ul style="list-style-type: none"> • EN 10204 / 3.1 <p>Gaskets:</p> <ul style="list-style-type: none"> • FDA-conform, USP-Class VI, TSE-free

1.1.1 TRI-CLAMP-CONNECTION ACCORDING DIN32676

Note: Actual data to collect at www.LM-Biotech.ch. Specifications and design are subject to change without notice. Date of revision: 03/14



1.1.1 TRI-CLAMP-CONNECTION ACCORDING DIN32676



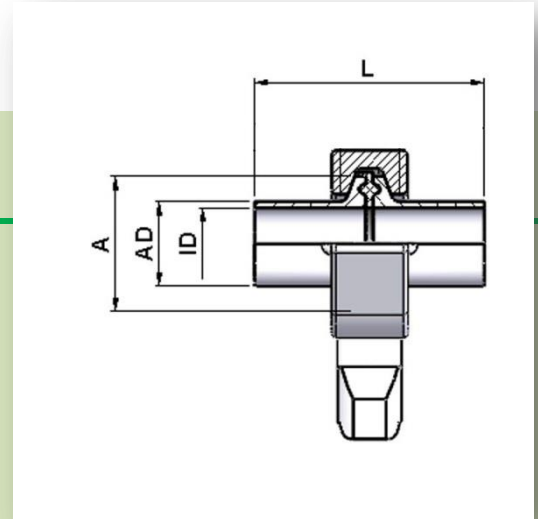
1.1.1.0 CLAMP-CONNECTION COMPLETE

Size	Article no. (EL-Code)	Article no. (LM-Code)	Pipe-AD [mm]	Pipe-ID [mm]	Lenght L [mm]	Diam. A [mm]				
DIN DN04	0100 1004 0000 0301	LMAD.A04.A00.35.0	6.00	4.00	56.00	25.00				
DIN DN06	0100 1006 0000 0301	LMAD.A06.A00.35.0	8.00	6.00	56.00	25.00				
DIN DN08	0100 1008 0000 0301	LMAD.A08.A00.35.0	10.00	8.00	56.00	25.00				
DIN DN10	0100 1010 0000 0301	LMAD.A10.A00.35.0	13.00	10.00	57.70	34.00				
DIN DN15	0100 1015 0000 0301	LMAD.A15.A00.35.0	19.00	16.00	57.70	34.00				
DIN DN20	0100 1020 0000 0301	LMAD.A20.A00.35.0	23.00	20.00	57.70	34.00				
DIN DN25	0100 1025 0000 0301	LMAD.A25.A00.35.0	29.00	26.00	57.70	50.50				
DIN DN32	0100 1032 0000 0301	LMAD.A32.A00.35.0	35.00	32.00	57.70	50.50				
DIN DN40	0100 1040 0000 0301	LMAD.A40.A00.35.0	41.00	38.00	57.70	50.50				
DIN DN50	0100 1050 0000 0301	LMAD.A50.A00.35.0	53.00	50.00	57.70	64.00				
DIN DN65	0100 1065 0000 0301	LMAD.A65.A00.35.0	70.00	66.00	57.00	91.00				
DIN DN80	0100 1080 0000 0301	LMAD.A80.A00.35.0	85.00	81.00	57.70	106.00				
DIN DN100	0100 1100 0000 0301	LMAD.A100.A00.35.0	104.00	100.00	57.70	119.00				
DIN DN125	0100 1125 0000 0301	LMAD.A125.A00.35.0	129.00	125.00	57.70	155.00				
DIN DN150	0100 1150 0000 0301	LMAD.A150.A00.35.0	154.00	150.00	57.70	183.00				
DIN DN200	0100 1200 0000 0301	LMAD.A200.A00.35.0	204.00	200.00	57.00	233.50				
ISO DN06	0100 2006 0000 0301	LMAD.B06.B00.35.0	10.20	7.00	56.00	25.00				
ISO DN08	0100 2008 0000 0301	LMAD.B08.B00.35.0	13.50	10.30	56.00	25.00				
ISO DN10	0100 2010 0000 0301	LMAD.B10.B00.35.0	17.20	14.00	56.00	25.00				
ISO DN15	0100 2015 0000 0301	LMAD.B15.B00.35.0	21.30	18.10	57.70	50.50				
ISO DN20	0100 2020 0000 0301	LMAD.B20.B00.35.0	26.90	23.70	57.70	50.50				
ISO DN25	0100 2025 0000 0301	LMAD.B25.B00.35.0	33.70	29.70	57.70	50.50				
ISO DN32	0100 2032 0000 0301	LMAD.B32.B00.35.0	42.40	38.40	57.70	64.00				
ISO DN40	0100 2040 0000 0301	LMAD.B40.B00.35.0	48.30	44.30	57.70	64.00				
ISO DN50	0100 2050 0000 0301	LMAD.B50.B00.35.0	60.30	56.30	57.70	77.50				
ISO DN65	0100 2065 0000 0301	LMAD.B65.B00.35.0	76.10	72.10	57.70	91.00				
ISO DN80	0100 2080 0000 0301	LMAD.B80.B00.35.0	88.90	84.30	57.70	106.00				
ISO DN100	0100 2100 0000 0301	LMAD.B100.B00.35.0	114.30	109.70	57.70	130.00				
ISO DN125	0100 2125 0000 0301	LMAD.B125.B00.35.0	139.70	134.50	57.70	155.00				
ISO DN150	0100 2150 0000 0301	LMAD.B150.B00.35.0	168.30	163.10	57.70	183.00				
ISO DN200	0100 2200 0000 0301	LMAD.B200.B00.35.0	219.10	213.90	57.00	233.50				
BSOD 1/4"	0100 3002 0000 0301	LMAD.C02.C00.35.0	6.35	4.57	56.00	25.00				
BSOD 3/8"	0100 3003 0000 0301	LMAD.C03.C00.35.0	9.53	7.75	56.00	25.00				
BSOD 1/2"	0100 3005 0000 0301	LMAD.C05.C00.35.0	12.70	9.40	56.00	25.00				
BSOD 3/4"	0100 3007 0000 0301	LMAD.C07.C00.35.0	19.05	15.75	56.00	25.00				

Note: Actual data to collect at www.LM-Biotech.ch. Specifications and design are subject to change without notice. Date of revision: 03/14



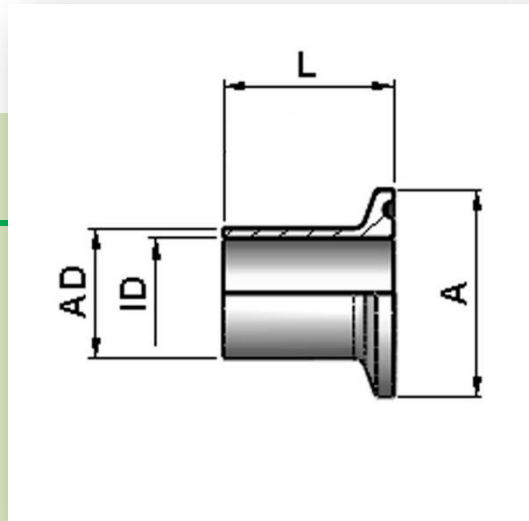
1.1.1 TRI-CLAMP-CONNECTION ACCORDING DIN32676



1.1.1.0 CLAMP-CONNECTION COMPLETE

Size	Article no. (EL-Code)	Article no. (LM-Code)	Pipe- AD [mm]	Pipe- ID [mm]	Lenght L [mm]	Diam. A [mm]				
BSOD 1"	0100 3010 0000 0301	LMAD.C10.C00.35.0	25.40	22.10	57.70	50.50				
BSOD 1 1/2"	0100 3015 0000 0301	LMAD.C15.C00.35.0	38.10	34.80	73.70	50.50				
BSOD 2"	0100 3020 0000 0301	LMAD.C20.C00.35.0	50.80	47.50	57.70	64.00				
BSOD 2 1/2"	0100 3025 0000 0301	LMAD.C25.C00.35.0	63.50	60.20	57.70	77.50				
BSOD 3"	0100 3030 0000 0301	LMAD.C30.C00.35.0	76.20	72.90	57.70	91.00				
BSOD 3 1/2"	0100 3035 0000 0301	LMAD.C35.C00.35.0	88.90	84.30	57.70	106.00				
BSOD 4"	0100 3040 0000 0301	LMAD.C40.C00.35.0	101.60	97.38	57.70	119.00				
BSOD 4 1/2"	0100 3045 0000 0301	LMAD.C45.C00.35.0	114.30	109.10	57.70	130.00				
BSOD 5"	0100 3050 0000 0301	LMAD.C50.C00.35.0	127.00	120.00	57.70	130.00				
BSOD 6"	0100 3060 0000 0301	LMAD.C60.C00.35.0	152.40	146.86	57.70	167.00				

Note: Actual data to collect at www.LM-Biotech.ch. Specifications and design are subject to change without notice. Date of revision: 03/14



1.1.1 TRI-CLAMP-CONNECTION ACCORDING DIN32676

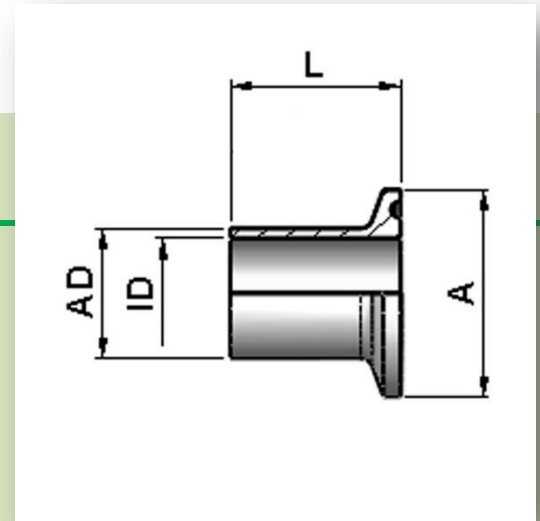
1.1.1.1 CLAMP FERRULE

Size	Article no. (EL-Code)	Article no. (LM-Code)	Pipe-AD [mm]	Pipe-ID [mm]	Lenght L [mm]	Diam. A [mm]				
DIN DN04	0101 1004 0000 0301	LMA1.A04.A00.35.0	6.00	4.00	28.00	25.00				
DIN DN06	0101 1006 0000 0301	LMA1.A06.A00.35.0	8.00	6.00	28.00	25.00				
DIN DN08	0101 1008 0000 0301	LMA1.A08.A00.35.0	10.00	8.00	28.00	25.00				
DIN DN10	0101 1010 0000 0301	LMA1.A10.A00.35.0-1	13.00	10.00	28.00	34.00				
DIN DN15	0101 1015 0000 0301	LMA1.A15.A00.35.0	19.00	16.00	28.00	34.00				
DIN DN20	0101 1020 0000 0301	LMA1.A20.A00.35.0	23.00	20.00	28.00	34.00				
DIN DN25	0101 1025 0000 0301	LMA1.A25.A00.35.0	29.00	26.00	28.00	50.50				
DIN DN32	0101 1032 0000 0301	LMA1.A32.A00.35.0	35.00	32.00	28.00	50.50				
DIN DN40	0101 1040 0000 0301	LMA1.A40.A00.35.0	41.00	38.00	28.00	50.50				
DIN DN50	0101 1050 0000 0301	LMA1.A50.A00.35.0	53.00	50.00	28.00	64.00				
DIN DN65	0101 1065 0000 0301	LMA1.A65.A00.35.0	70.00	66.00	28.00	91.00				
DIN DN80	0101 1080 0000 0301	LMA1.A80.A00.35.0	85.00	81.00	28.00	106.00				
DIN DN100	0101 1100 0000 0301	LMA1.A100.A00.35.0	104.00	100.00	28.00	119.00				
DIN DN125	0101 1125 0000 0301	LMA1.A125.A00.35.0	129.00	125.00	28.00	155.00				
DIN DN150	0101 1150 0000 0301	LMA1.A150.A00.35.0	154.00	150.00	28.00	183.00				
DIN DN200	0101 1200 0000 0301	LMA1.A200.A00.35.0	204.00	200.00	28.00	233.50				
ISO DN06	0101 2006 0000 0301	LMA1.B06.B00.35.0	10.20	7.00	28.00	25.00				
ISO DN08	0101 2008 0000 0301	LMA1.B08.B00.35.0	13.50	10.30	28.00	25.00				
ISO DN10	0101 2010 0000 0301	LMA1.B10.B00.35.0	17.20	14.00	28.00	25.00				
ISO DN15	0101 2015 0000 0301	LMA1.B15.B00.35.0	21.30	18.10	28.00	50.50				
ISO DN20	0101 2020 0000 0301	LMA1.B20.B00.35.0	26.90	23.70	28.00	50.50				
ISO DN25	0101 2025 0000 0301	LMA1.B25.B00.35.0	33.70	29.70	28.00	50.50				
ISO DN32	0101 2032 0000 0301	LMA1.B32.B00.35.0	42.40	38.40	28.00	64.00				
ISO DN40	0101 2040 0000 0301	LMA1.B40.B00.35.0	48.30	44.30	28.00	64.00				
ISO DN50	0101 2050 0000 0301	LMA1.B50.B00.35.0	60.30	56.30	28.00	77.50				
ISO DN65	0101 2065 0000 0301	LMA1.B65.B00.35.0	76.10	72.10	28.00	91.00				
ISO DN80	0101 2080 0000 0301	LMA1.B80.B00.35.0	88.90	84.30	28.00	106.00				
ISO DN100	0101 2100 0000 0301	LMA1.B100.B00.35.0	114.30	109.70	28.00	130.00				
ISO DN125	0101 2125 0000 0301	LMA1.B125.B00.35.0	139.70	134.50	28.00	155.00				
ISO DN150	0101 2150 0000 0301	LMA1.B150.B00.35.0	168.30	163.10	28.00	183.00				
ISO DN200	0101 2200 0000 0301	LMA1.B200.B00.35.0	219.10	213.90	28.00	233.50				
BSOD 1/4"	0101 3002 0000 0301	LMA1.C02.C00.35.0	6.35	4.57	28.00	25.00				
BSOD 3/8"	0101 3003 0000 0301	LMA1.C03.C00.35.0	9.53	7.75	28.00	25.00				
BSOD 1/2"	0101 3005 0000 0301	LMA1.C05.C00.35.0	12.70	9.40	28.00	25.00				
BSOD 3/4"	0101 3007 0000 0301	LMA1.C07.C00.35.0	19.05	15.75	28.00	25.00				

Note: Actual data to collect at www.LM-Biotech.ch. Specifications and design are subject to change without notice. Date of revision: 03/14



1.1.1 TRI-CLAMP-CONNECTION ACCORDING DIN32676



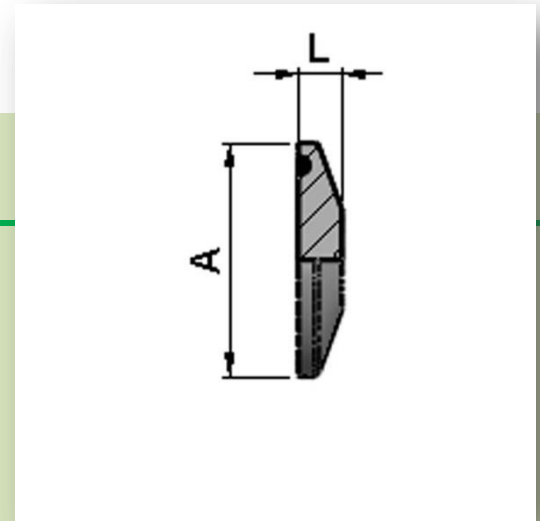
1.1.1.1 CLAMP FERRULE

Size	Article no. (EL-Code)	Article no. (LM-Code)	Pipe- AD [mm]	Pipe- ID [mm]	Lenght L [mm]	Diam. A [mm]				
BSOD 1"	0101 3010 0000 0301	LMA0.C10.C00.35.0	25.40	22.10	28.00	50.50				
BSOD 1 1/2"	0101 3015 0000 0301	LMA0.C15.C00.35.0	38.10	34.80	28.00	50.50				
BSOD 2"	0101 3020 0000 0301	LMA0.C20.C00.35.0	50.80	47.50	28.00	64.00				
BSOD 2 1/2"	0101 3025 0000 0301	LMA0.C25.C00.35.0	63.50	60.20	28.00	77.50				
BSOD 3"	0101 3030 0000 0301	LMA0.C30.C00.35.0	76.20	72.90	28.00	91.00				
BSOD 3 1/2"	0101 3035 0000 0301	LMA0.C35.C00.35.0	88.90	84.30	28.00	106.00				
BSOD 4"	0101 3040 0000 0301	LMA0.C40.C00.35.0	101.60	97.38	28.00	119.00				
BSOD 4 1/2"	0101 3045 0000 0301	LMA0.C45.C00.35.0	114.30	109.10	28.00	130.00				
BSOD 5"	0101 3050 0000 0301	LMA0.C50.C00.35.0	127.00	120.00	28.00	130.00				
BSOD 6"	0101 3060 0000 0301	LMA0.C60.C00.35.0	152.40	146.86	28.00	167.00				

Note: Actual data to collect at www.LM-Biotech.ch. Specifications and design are subject to change without notice. Date of revision: 03/14



1.1.1 TRI-CLAMP-CONNECTION ACCORDING DIN32676



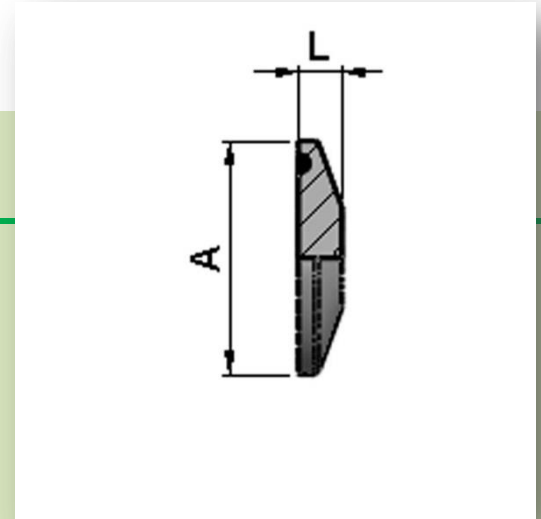
1.1.1.2 CLAMP END CAP

Size	Article no. (EL-Code)	Article no. (LM-Code)	Lenght L [mm]	Diam. A [mm]						
DIN DN04	0102 1004 0000 0301	LMG0.A04.A00.35.0	6.70	25.00						
DIN DN06	0102 1006 0000 0301	LMG0.A06.A00.35.0	6.70	25.00						
DIN DN08	0102 1008 0000 0301	LMG0.A08.A00.35.0	6.70	25.00						
DIN DN10	0102 1010 0000 0301	LMG0.A10.A00.35.0	5.00	34.00						
DIN DN15	0102 1015 0000 0301	LMG0.A15.A00.35.0	5.00	34.00						
DIN DN20	0102 1020 0000 0301	LMG0.A20.A00.35.0	5.00	34.00						
DIN DN25	0102 1025 0000 0301	LMG0.A25.A00.35.0	6.50	50.50						
DIN DN32	0102 1032 0000 0301	LMG0.A32.A00.35.0	6.50	50.50						
DIN DN40	0102 1040 0000 0301	LMG0.A40.A00.35.0	6.50	50.50						
DIN DN50	0102 1050 0000 0301	LMG0.A50.A00.35.0	6.50	64.00						
DIN DN65	0102 1065 0000 0301	LMG0.A65.A00.35.0	6.50	91.00						
DIN DN80	0102 1080 0000 0301	LMG0.A80.A00.35.0	6.50	106.00						
DIN DN100	0102 1100 0000 0301	LMG0.A100.A00.35.0	10.00	119.00						
DIN DN125	0102 1125 0000 0301	LMG0.A125.A00.35.0	12.00	155.00						
DIN DN150	0102 1150 0000 0301	LMG0.A150.A00.35.0	12.00	183.00						
DIN DN200	0102 1200 0000 0301	LMG0.A200.A00.35.0	12.00	233.50						
ISO DN06	0102 2006 0000 0301	LMG0.B06.B00.35.0	6.70	25.00						
ISO DN08	0102 2008 a0000 0301	LMG0.B08.B00.35.0	6.70	25.00						
ISO DN10	0102 2010 0000 0301	LMG0.B10.B00.35.0	6.70	25.00						
ISO DN15	0102 2015 0000 0301	LMG0.B15.B00.35.0	6.50	50.50						
ISO DN20	0102 2020 0000 0301	LMG0.B20.B00.35.0	6.50	50.50						
ISO DN25	0102 2025 0000 0301	LMG0.B25.B00.35.0	6.50	50.50						
ISO DN32	0102 2032 0000 0301	LMG0.B32.B00.35.0	6.50	64.00						
ISO DN40	0102 2040 0000 0301	LMG0.B40.B00.35.0	6.50	64.00						
ISO DN50	0102 2050 0000 0301	LMG0.B50.B00.35.0	6.50	77.50						
ISO DN65	0102 2065 0000 0301	LMG0.B65.B00.35.0	6.50	91.00						
ISO DN80	0102 2080 0000 0301	LMG0.B80.B00.35.0	6.50	106.00						
ISO DN100	0102 2100 0000 0301	LMG0.B100.B00.35.0	12.00	130.00						
ISO DN125	0102 2125 0000 0301	LMG0.B125.B00.35.0	12.00	155.00						
ISO DN150	0102 2150 0000 0301	LMG0.B150.B00.35.0	12.00	183.00						
ISO DN200	0102 2200 0000 0301	LMG0.B200.B00.35.0	12.00	233.50						
BSOD 1/4"	0102 3002 0000 0301	LMG0.C02.C00.35.0	6.70	25.00						
BSOD 3/8"	0102 3003 0000 0301	LMG0.C03.C00.35.0	6.70	25.00						
BSOD 1/2"	0102 3005 0000 0301	LMG0.C05.C00.35.0	6.70	25.00						
BSOD 3/4"	0102 3007 0000 0301	LMG0.C07.C00.35.0	6.70	25.00						

Note: Actual data to collect at www.LM-Biotech.ch. Specifications and design are subject to change without notice. Date of revision: 03/14



1.2.1 TRI-CLAMP-CONNECTION ACCORDING DIN32676



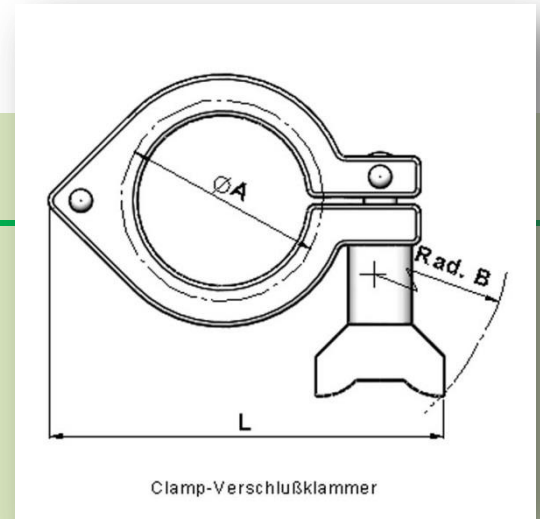
1.1.1.2 CLAMP END CAP

Size	Article no. (EL-Code)	Article no. (LM-Code)	Lenght L [mm]	Diam. A [mm]						
BSOD 1"	0102 3010 0000 0301	LMG0.C10.C00.35.0	6.50	50.50						
BSOD 1 1/2"	0102 3015 0000 0301	LMG0.C15.C00.35.0	6.50	50.50						
BSOD 2"	0102 3020 0000 0301	LMG0.C20.C00.35.0	6.50	64.00						
BSOD 2 1/2"	0102 3025 0000 0301	LMG0.C25.C00.35.0	6.50	77.50						
BSOD 3"	0102 3030 0000 0301	LMG0.C30.C00.35.0	6.50	91.00						
BSOD 3 1/2"	0102 3035 0000 0301	LMG0.C35.C00.35.0	28.00	106.00						
BSOD 4"	0102 3040 0000 0301	LMG0.C40.C00.35.0	10.00	119.00						
BSOD 4 1/2"	0102 3045 0000 0301	LMG0.C45.C00.35.0	12.00	130.00						
BSOD 5"	0102 3050 0000 0301	LMG0.C50.C00.35.0	12.00	130.00						
BSOD 6"	0102 3060 0000 0301	LMG0.C60.C00.35.0	11.00	167.00						

Note: Actual data to collect at www.LM-Biotech.ch. Specifications and design are subject to change without notice. Date of revision: 03/14



1.1.1 TRI-CLAMP-CONNECTION ACCORDING DIN32676



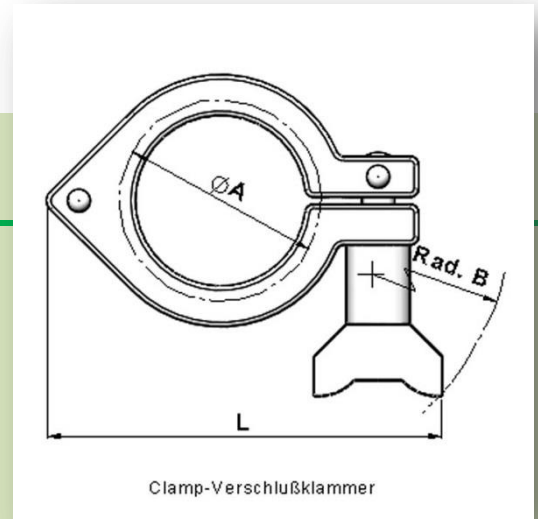
1.1.1.3 CLAMP

Size	Article no. (EL-Code)	Article no. (LM-Code)	Diam. A [mm]	Lenght L [mm]	Radius B [mm]						
DIN DN04	0191 1008 0000 0118	LMC7.U08.U00.01.0	25.00	64.00	65.00						
DIN DN06	0191 1008 0000 0118	LMC7.U08.U00.01.0	25.00	64.00	65.00						
DIN DN08	0191 1008 0000 0118	LMC7.U08.U00.01.0	25.00	64.00	65.00						
DIN DN10	0191 1020 0000 0118	LMC7.U10.U00.01.0	34.00	68.00	65.00						
DIN DN15	0191 1020 0000 0118	LMC7.U10.U00.01.0	34.00	68.00	65.00						
DIN DN20	0191 1020 0000 0118	LMC7.U10.U00.01.0	34.00	68.00	65.00						
DIN DN25	0191 1040 0000 0118	LMC7.U25.U00.01.0	50.50	93.00	77.00						
DIN DN32	0191 1040 0000 0118	LMC7.U25.U00.01.0	50.50	93.00	77.00						
DIN DN40	0191 1040 0000 0118	LMC7.U25.U00.01.0	50.50	93.00	77.00						
DIN DN50	0191 1050 0000 0118	LMC7.U40.U00.01.0	64.00	108.00	90.00						
DIN DN65	0191 1065 0000 0118	LMC7.U65.U00.01.0	91.00	139.00	52.50						
DIN DN80	0191 1080 0000 0118	LMC7.U80.U00.01.0	106.00	144.00	58.00						
DIN DN100	0191 1100 0000 0118	LMC7.Q40.Q00.01.0	119.00	171.00	120.00						
DIN DN125	0191 1125 0000 0118	LMC7.X125.X00.01.0	155.00	171.00	120.00						
DIN DN150	0191 1150 0000 0118	LMC7.U150.U00.01.0	183.00	275.00	178.00						
DIN DN200	0191 1200 0000 0118	LMC7.U200.U00.01.0	on request	on request	on request						
ISO DN06	0191 1008 0000 0118	LMC7.U08.U00.01.0	25.00	64.00	65.00						
ISO DN08	0191 1008 0000 0118	LMC7.U08.U00.01.0	25.00	64.00	65.00						
ISO DN10	0191 1008 0000 0118	LMC7.U08.U00.01.0	25.00	64.00	65.00						
ISO DN15	0191 1040 0000 0118	LMC7.U25.U00.01.0	50.50	93.00	77.00						
ISO DN20	0191 1040 0000 0118	LMC7.U25.U00.01.0	50.50	93.00	77.00						
ISO DN25	0191 1040 0000 0118	LMC7.U25.U00.01.0	50.50	93.00	77.00						
ISO DN32	0191 1050 0000 0118	LMC7.U40.U00.01.0	64.00	108.00	90.00						
ISO DN40	0191 1050 0000 0118	LMC7.U40.U00.01.0	64.00	108.00	90.00						
ISO DN50	0191 2050 0000 0118	LMC7.U50.U00.01.0	77.50	125.00	100.00						
ISO DN65	0191 1065 0000 0118	LMC7.U65.U00.01.0	91.00	139.00	52.50						
ISO DN80	0191 1080 0000 0118	LMC7.U80.U00.01.0	106.00	144.00	58.00						
ISO DN100	0191 2100 0000 0118	LMC7.U100.U00.01.0	130.00	173.00	120.00						
ISO DN125	0191 1125 0000 0118	LMC7.X152.X00.01.0	on request	on request	on request						
ISO DN150	0191 1150 0000 0118	LMC7.U150.U00.01.0	183.00	275.00	178.00						
ISO DN200	0191 1200 0000 0118	LMC7.U200.U00.01.0	on request	on request	on request						
BSOD 1/4"	0191 1008 0000 0118	LMC7.U08.U00.01.0	25.00	64.00	65.00						
BSOD 3/8"	0191 1008 0000 0118	LMC7.U08.U00.01.0	25.00	64.00	65.00						
BSOD 1/2"	0191 1008 0000 0118	LMC7.U08.U00.01.0	25.00	64.00	65.00						
BSOD 3/4"	0191 1008 0000 0118	LMC7.U08.U00.01.0	25.00	64.00	65.00						

Note: Actual data to collect at www.LM-Biotech.ch. Specifications and design are subject to change without notice. Date of revision: 03/14



1.2.1 TRI-CLAMP-CONNECTION ACCORDING DIN32676



1.1.1.3 CLAMP-KLAMMER MIT AUFKLAPPSICHERUNG

Größe	Artikel-Nr. (EL-Code)	Artikel-Nr. (LM-Code)	Durchm. A [mm]	Länge L [mm]	Radius B [mm]					
BSOD 1"	0191 1040 0000 0118	LMC7.U25.U00.01.0	50.50	93.00	77.00					
BSOD 1 1/2"	0191 1040 0000 0118	LMC7.U25.U00.01.0	50.50	93.00	77.00					
BSOD 2"	0191 1050 0000 0118	LMC7.U40.U00.01.0	119.00	171.00	120.00					
BSOD 2 1/2"	0191 2050 0000 0118	LMC7.U50.U00.01.0	77.50	125.00	100.00					
BSOD 3"	0191 1065 0000 0118	LMC7.U65.U00.01.0	91.00	139.00	52.50					
BSOD 3 1/2"	0191 1080 0000 0118	LMC7.U80.U00.01.0	106.00	144.00	58.00					
BSOD 4"	0191 1100 0000 0118	LMC7.Q40.Q00.01.0	119.00	171.00	120.00					
BSOD 4 1/2"	0191 2100 0000 0118	LMC7.U100.U00.01.0	130.00	173.00	120.00					
BSOD 5"	0191 3050 0000 0118	LMC7.Q50.Q00.01.0	on request	on request	on request					
BSOD 6"	0191 3060 0000 0118	LMC7.Q60.Q00.01.0	on request	on request	on request					

Note: Actual data to collect at www.LM-Biotech.ch. Specifications and design are subject to change without notice. Date of revision: 03/14