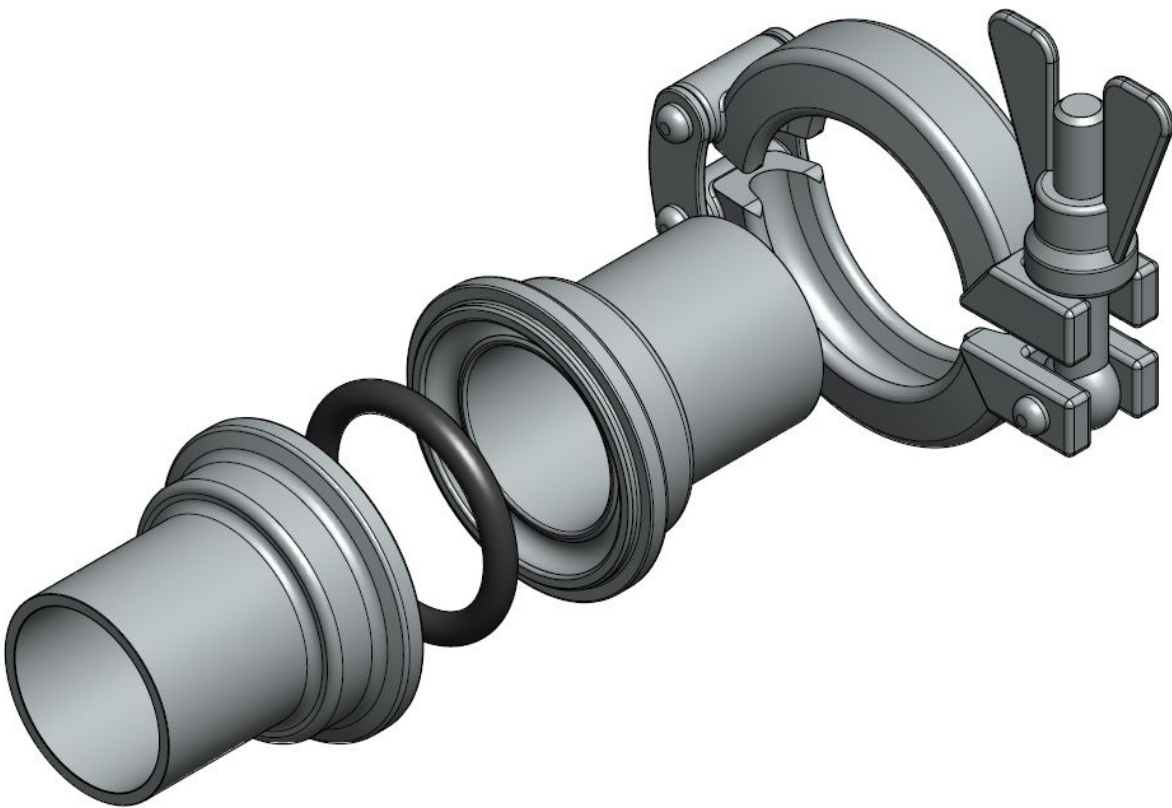




1.7.1 Aseptik Klemmverbindung nach DIN 11864



Aseptik Klemmverbindung nach DIN 11864



Übersicht

| | | |
|---|--|------------------------|
|  | <p>Aseptik Klemmverbindung komplett</p> | <p>Seite 4</p> |
|  | <p>Aseptik Bundklemmstutzen</p> | <p>Seite 5</p> |
|  | <p>Aseptik Nutklemmstutzen</p> | <p>Seite 6</p> |
|  | <p>Aseptik Bundklemm-Blinddeckel</p> | <p>Seite 7</p> |
|  | <p>Aseptik Nutklemm-Blinddeckel</p> | <p>Seite 8</p> |
|  | <p>Aseptik O-Ringe</p> | <p>Seite 10</p> |
|  | <p>Aseptik Bestellschlüssel</p> | <p>Seite 11</p> |
|  | <p>Aseptik Rohranschlussstabelle</p> | <p>Seite 13</p> |

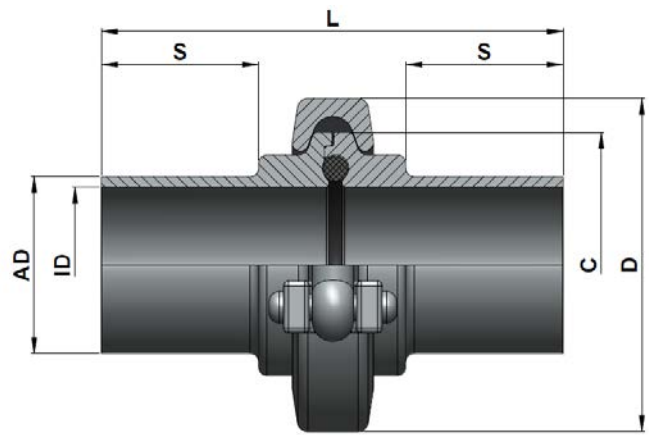
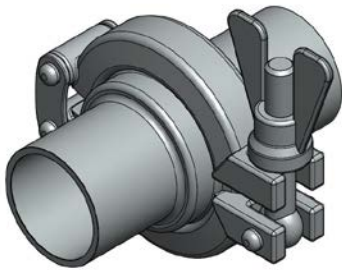


Technische Daten

| | |
|---|--|
| Standard-Baugrößen | <ul style="list-style-type: none"> • DIN DN10 - DIN DN100 • ISO DN08 - ISO DN80 • BSOD DN1/2" –BSOD DN4" |
| Werkstoffe | <p>Produktberührt:</p> <ul style="list-style-type: none"> • 1.4435 BN2 (316L) • Sonderwerkstoffe wie z.B. 2.4602, Titan, 1.4539 etc. auf Anfrage <p>Nicht Produktberührt:</p> <ul style="list-style-type: none"> • 1.4305 Oder gleichwertig |
| Dichtungswerkstoffe | <p>Standarddichtungen:</p> <ul style="list-style-type: none"> • EPDM • FEP (Silikonkern) / Silikon / FKM • Sonderdichtwerkstoffe auf Anfrage |
| Oberflächen | <p>Produktberührte Oberflächen:</p> <ul style="list-style-type: none"> • elektropoliert Ra < 0,6µm • andere Oberflächen auf Anfrage <p>Nicht Produktberührte Oberflächen:</p> <ul style="list-style-type: none"> • elektropoliert Ra > 1,6µm |
| Rückverfolgbarkeit | Alle produktberührenden Teile markiert mit Material und Chargennummer |
| Produkte | Gase und Flüssigkeiten |
| Umgebungstemperatur | -20°C bis +80°C |
| Betriebsdruck | <ul style="list-style-type: none"> • DIN DN10 – DN40 = 40 bar • DIN DN50 – DN65 = 25 bar • DIN DN80 – DN100 = 16 bar • ISO DN08 - DN25 = 40 bar • ISO DN32 – DN50 = 25 bar • ISO DN65 – DN80 = 16 bar • BSOD DN1/2" - DN1 1/2" = 40 bar • BSOD DN2" – DN2 1/2" = 25 bar • BSOD DN3" – DN4" = 16 bar |
| Betriebstemperatur Dichtungswerkstoffe | <ul style="list-style-type: none"> • EPDM: -40°C bis +160°C, kurzzeitig bis +180°C • FEP (Silikonkern): -60°C bis +260°C, kurzzeitig bis +300°C |
| Normen | <p>Rohranschlussmaße:</p> <ul style="list-style-type: none"> • DIN (DIN11866 Reihe A) • ISO (DIN11866 Reihe B) • BSOD (DIN11866 Reihe C) • Dichtpartie nach DIN 11864-3 Reihe A Form A |
| Zertifikate | <p>Produktberührende Teile:</p> <ul style="list-style-type: none"> • EN 10204 / 3.1 <p>Produktberührende Dichtungen:</p> <ul style="list-style-type: none"> • FDA-Konformität, USP-Class VI, TSE-frei |



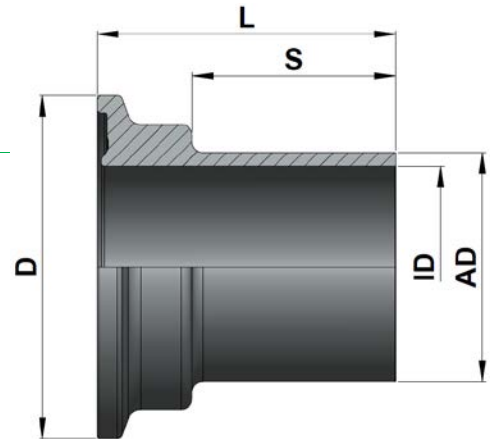
Aseptik Klemmverbindung kompl. EPD



| | Größe | Artikel-Nr. | AD [mm] | ID [mm] | L [mm] | S [mm] | D [mm] | C [mm] | Gewicht [kg] |
|----------------|--------------------|---------------------|---------|---------|--------|--------|--------|--------|--------------|
| DIN Abmessung | DIN DN10 | LMAA.X10.64A.35.0 | 12.00 | 10.00 | 76.00 | 26.00 | 46.00 | 34.00 | 0.31 |
| | DIN DN10 | LMAA.X10.64A.35.0-1 | 13.00 | 10.00 | 76.00 | 26.00 | 46.00 | 34.00 | 0.31 |
| | DIN DN15 | LMAA.X15.64A.35.0 | 19.00 | 16.00 | 76.00 | 26.00 | 46.00 | 34.00 | 0.30 |
| | DIN DN20 | LMAA.X20.64A.35.0 | 23.00 | 20.00 | 76.00 | 26.00 | 64.00 | 50.50 | 0.50 |
| | DIN DN25 | LMAA.X25.64A.35.0 | 29.00 | 26.00 | 77.00 | 28.00 | 64.00 | 50.50 | 0.46 |
| | DIN DN32 | LMAA.X32.64A.35.0 | 35.00 | 32.00 | 88.00 | 30.00 | 64.00 | 50.50 | 0.45 |
| | DIN DN40 | LMAA.X40.64A.35.0 | 41.00 | 38.00 | 88.00 | 30.00 | 78.00 | 64.00 | 0.65 |
| | DIN DN50 | LMAA.X50.64A.35.0 | 53.00 | 50.00 | 89.00 | 30.00 | 92.00 | 77.50 | 0.76 |
| | DIN DN65 | LMAA.X65.64A.35.0 | 70.00 | 66.00 | 113.00 | 40.00 | 105.00 | 91.00 | 1.08 |
| | DIN DN80 | LMAA.X80.64A.35.0 | 85.00 | 81.00 | 117.00 | 40.00 | 120.00 | 106.00 | 1.32 |
| DIN DN100 | LMAA.X100.64A.35.0 | 104.00 | 100.00 | 120.00 | 40.00 | 144.00 | 130.00 | 1.85 | |
| ISO Abmessung | ISO DN08 | LMAA.U08.64A.35.0 | 13.50 | 10.30 | 76.00 | 26.00 | 46.00 | 34.00 | 0.31 |
| | ISO DN10 | LMAA.U10.64A.35.0 | 17.20 | 14.00 | 76.00 | 26.00 | 46.00 | 34.00 | 0.31 |
| | ISO DN15 | LMAA.U15.64A.35.0 | 21.30 | 18.10 | 78.00 | 26.00 | 46.00 | 34.00 | 0.30 |
| | ISO DN20 | LMAA.U20.64A.35.0 | 26.90 | 23.70 | 77.50 | 30.00 | 64.00 | 50.50 | 0.45 |
| | ISO DN25 | LMAA.U25.64A.35.0 | 33.70 | 29.70 | 88.00 | 30.00 | 64.00 | 50.50 | 0.50 |
| | ISO DN32 | LMAA.U32.64A.35.0 | 42.40 | 38.40 | 88.00 | 30.00 | 78.00 | 64.00 | 0.68 |
| | ISO DN40 | LMAA.U40.64A.35.0 | 48.30 | 44.30 | 90.00 | 30.00 | 78.00 | 64.00 | 0.62 |
| | ISO DN50 | LMAA.U50.64A.35.0 | 60.30 | 56.30 | 114.00 | 40.00 | 105.00 | 91.00 | 1.31 |
| | ISO DN65 | LMAA.U65.64A.35.0 | 76.10 | 72.10 | 117.00 | 40.00 | 120.00 | 106.00 | 1.60 |
| ISO DN80 | LMAA.U80.64A.35.0 | 88.90 | 84.30 | 122.00 | 40.00 | 133.00 | 119.00 | 1.97 | |
| BSOD-Abmessung | BSOD 1/2" | LMAA.Q05.K00.35.0 | 12.70 | 9.40 | 76.00 | 26.00 | 46.00 | 34.00 | 0.32 |
| | BSOD 3/4" | LMAA.Q07.K00.35.0 | 19.05 | 15.75 | 76.00 | 26.00 | 46.00 | 34.00 | 0.30 |
| | BSOD 1" | LMAA.Q10.K00.35.0 | 25.40 | 22.10 | 77.00 | 28.00 | 64.00 | 50.50 | 0.48 |
| | BSOD 1 1/2" | LMAA.Q15.K00.35.0 | 38.10 | 34.80 | 88.00 | 30.00 | 78.00 | 64.00 | 0.70 |
| | BSOD 2" | LMAA.Q20.K00.35.0 | 50.80 | 47.50 | 89.00 | 30.00 | 92.00 | 77.50 | 0.81 |
| | BSOD 2 1/2" | LMAA.Q15.K00.35.0 | 63.50 | 60.20 | 115.00 | 40.00 | 105.00 | 91.00 | 1.19 |
| | BSOD 3" | LMAA.Q20.K00.35.0 | 76.20 | 72.90 | 117.00 | 40.00 | 120.00 | 106.00 | 1.50 |
| | BSOD 4" | LMAA.Q20.K00.35.0 | 101.60 | 97.38 | 119.00 | 40.00 | 144.00 | 130.00 | 1.97 |



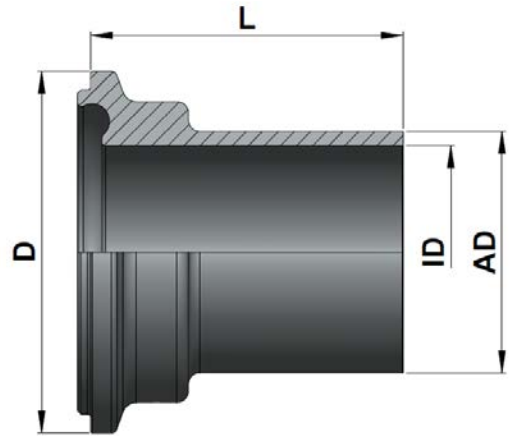
Aseptik Bundklemmstutzen



| | Größe | Artikel-Nr. | AD [mm] | ID [mm] | L [mm] | S [mm] | D [mm] | | Gewicht [kg] |
|----------------|--------------------|---------------------|---------|---------|--------|--------|--------|------|--------------|
| DIN Abmessung | DIN DN10 | LMB3.X10.64A.35.0 | 12.00 | 10.00 | 38.00 | 26.00 | 34.00 | | 0.06 |
| | DIN DN10 | LMB3.X10.64A.35.0-1 | 13.00 | 10.00 | 38.00 | 26.00 | 34.00 | | 0.06 |
| | DIN DN15 | LMB3.X15.64A.35.0 | 19.00 | 16.00 | 38.00 | 26.00 | 34.00 | | 0.05 |
| | DIN DN20 | LMB3.X20.64A.35.0 | 23.00 | 20.00 | 38.00 | 26.00 | 50.50 | | 0.14 |
| | DIN DN25 | LMB3.X25.64A.35.0 | 29.00 | 26.00 | 38.50 | 28.00 | 50.50 | | 0.11 |
| | DIN DN32 | LMB3.X32.64A.35.0 | 35.00 | 32.00 | 44.00 | 30.00 | 50.50 | | 0.11 |
| | DIN DN40 | LMB3.X40.64A.35.0 | 41.00 | 38.00 | 44.00 | 30.00 | 64.00 | | 0.19 |
| | DIN DN50 | LMB3.X50.64A.35.0 | 53.00 | 50.00 | 44.50 | 30.00 | 77.50 | | 0.23 |
| | DIN DN65 | LMB3.X65.64A.35.0 | 70.00 | 66.00 | 56.50 | 40.00 | 91.00 | | 0.36 |
| | DIN DN80 | LMB3.X80.64A.35.0 | 85.00 | 81.00 | 58.50 | 40.00 | 106.00 | | 0.46 |
| DIN DN100 | LMB3.X100.64A.35.0 | 104.00 | 100.00 | 60.00 | 40.00 | 130.00 | | 0.69 | |
| ISO Abmessung | ISO DN08 | LMB3.U08.64A.35.0 | 13.50 | 10.30 | 38.00 | 26.00 | 34.00 | | 0.06 |
| | ISO DN10 | LMB3.U10.64A.35.0 | 17.20 | 14.00 | 38.00 | 26.00 | 34.00 | | 0.06 |
| | ISO DN15 | LMB3.U15.64A.35.0 | 21.30 | 18.10 | 39.00 | 26.00 | 34.00 | | 0.05 |
| | ISO DN20 | LMB3.U20.64A.35.0 | 26.90 | 23.70 | 39.00 | 30.00 | 50.50 | | 0.11 |
| | ISO DN25 | LMB3.U25.64A.35.0 | 33.70 | 29.70 | 44.00 | 30.00 | 50.50 | | 0.14 |
| | ISO DN32 | LMB3.U32.64A.35.0 | 42.40 | 38.40 | 44.00 | 30.00 | 64.00 | | 0.21 |
| | ISO DN40 | LMB3.U40.64A.35.0 | 48.30 | 44.30 | 45.00 | 30.00 | 64.00 | | 0.18 |
| | ISO DN50 | LMB3.U50.64A.35.0 | 60.30 | 56.30 | 57.00 | 40.00 | 91.00 | | 0.48 |
| | ISO DN65 | LMB3.U65.64A.35.0 | 76.10 | 72.10 | 58.50 | 40.00 | 106.00 | | 0.60 |
| ISO DN80 | LMB3.U80.64A.35.0 | 88.90 | 84.30 | 61.00 | 40.00 | 119.00 | | 0.76 | |
| BSOD-Abmessung | BSOD 1/2" | LMB3.Q05.64A.35.0 | 12.70 | 9.40 | 38.00 | 26.00 | 34.00 | | 0.06 |
| | BSOD 3/4" | LMB3.Q07.64A.35.0 | 19.05 | 15.75 | 38.00 | 26.00 | 34.00 | | 0.06 |
| | BSOD 1" | LMB3.Q10.64A.35.0 | 25.40 | 22.10 | 38.50 | 28.00 | 50.50 | | 0.13 |
| | BSOD 1 1/2" | LMB3.Q15.64A.35.0 | 38.10 | 34.80 | 44.00 | 30.00 | 64.00 | | 0.22 |
| | BSOD 2" | LMB3.Q20.64A.35.0 | 50.80 | 47.50 | 44.50 | 30.00 | 77.50 | | 0.26 |
| | BSOD 2 1/2" | LMB3.Q25.64A.35.0 | 63.50 | 60.20 | 57.50 | 40.00 | 91.00 | | 0.42 |
| | BSOD 3" | LMB3.Q30.64A.35.0 | 76.20 | 72.90 | 58.50 | 40.00 | 106.00 | | 0.54 |
| BSOD 4" | LMB3.Q40.64A.35.0 | 101.60 | 97.38 | 59.50 | 40.00 | 130.00 | | 0.75 | |



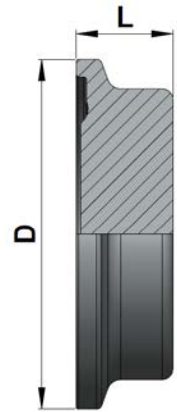
Aseptik Nutklemmstutzen



| | Größe | Artikel-Nr. | AD [mm] | ID [mm] | L [mm] | S [mm] | D [mm] | | Gewicht [kg] |
|----------------|--------------------|---------------------|---------|---------|--------|--------|--------|------|--------------|
| DIN Abmessung | DIN DN10 | LMA3.X10.64A.35.0 | 12.00 | 10.00 | 37.70 | 26.00 | 34.00 | | 0.06 |
| | DIN DN10 | LMA3.X10.64A.35.0-1 | 13.00 | 10.00 | 37.70 | 26.00 | 34.00 | | 0.06 |
| | DIN DN15 | LMA3.X15.64A.35.0 | 19.00 | 16.00 | 37.70 | 26.00 | 34.00 | | 0.06 |
| | DIN DN20 | LMA3.X20.64A.35.0 | 23.00 | 20.00 | 37.70 | 26.00 | 50.50 | | 0.14 |
| | DIN DN25 | LMA3.X25.64A.35.0 | 29.00 | 26.00 | 38.20 | 28.00 | 50.50 | | 0.12 |
| | DIN DN32 | LMA3.X32.64A.35.0 | 35.00 | 32.00 | 43.70 | 30.00 | 50.50 | | 0.12 |
| | DIN DN40 | LMA3.X40.64A.35.0 | 41.00 | 38.00 | 43.70 | 30.00 | 64.00 | | 0.20 |
| | DIN DN50 | LMA3.X50.64A.35.0 | 53.00 | 50.00 | 44.20 | 30.00 | 77.50 | | 0.23 |
| | DIN DN65 | LMA3.X65.64A.35.0 | 70.00 | 66.00 | 56.20 | 40.00 | 91.00 | | 0.36 |
| | DIN DN80 | LMA3.X80.64A.35.0 | 85.00 | 81.00 | 58.20 | 40.00 | 106.00 | | 0.47 |
| DIN DN100 | LMA3.X100.64A.35.0 | 104.00 | 100.00 | 59.70 | 40.00 | 130.00 | | 0.70 | |
| ISO Abmessung | ISO DN08 | LMA3.U08.64A.35.0 | 13.50 | 10.30 | 37.70 | 26.00 | 34.00 | | 0.07 |
| | ISO DN10 | LMA3.U10.64A.35.0 | 17.20 | 14.00 | 37.70 | 26.00 | 34.00 | | 0.06 |
| | ISO DN15 | LMA3.U15.64A.35.0 | 21.30 | 18.10 | 38.70 | 26.00 | 34.00 | | 0.06 |
| | ISO DN20 | LMA3.U20.64A.35.0 | 26.90 | 23.70 | 38.20 | 30.00 | 50.50 | | 0.11 |
| | ISO DN25 | LMA3.U25.64A.35.0 | 33.70 | 29.70 | 43.70 | 30.00 | 50.50 | | 0.14 |
| | ISO DN32 | LMA3.U32.64A.35.0 | 42.40 | 38.40 | 43.70 | 30.00 | 64.00 | | 0.21 |
| | ISO DN40 | LMA3.U40.64A.35.0 | 48.30 | 44.30 | 44.70 | 30.00 | 64.00 | | 0.18 |
| | ISO DN50 | LMA3.U50.64A.35.0 | 60.30 | 56.30 | 56.70 | 40.00 | 91.00 | | 0.48 |
| | ISO DN65 | LMA3.U65.64A.35.0 | 76.10 | 72.10 | 58.20 | 40.00 | 106.00 | | 0.61 |
| ISO DN80 | LMA3.U80.64A.35.0 | 88.90 | 84.30 | 60.70 | 40.00 | 119.00 | | 0.77 | |
| BSOD-Abmessung | BSOD 1/2" | LMB3.Q05.64A.35.0 | 12.70 | 9.40 | 37.70 | 26.00 | 34.00 | | 0.07 |
| | BSOD 3/4" | LMB3.Q07.64A.35.0 | 19.05 | 15.75 | 37.70 | 26.00 | 34.00 | | 0.06 |
| | BSOD 1" | LMB3.Q10.64A.35.0 | 25.40 | 22.10 | 38.20 | 28.00 | 50.50 | | 0.13 |
| | BSOD 1 1/2" | LMB3.Q15.64A.35.0 | 38.10 | 34.80 | 43.70 | 30.00 | 64.00 | | 0.22 |
| | BSOD 2" | LMB3.Q20.64A.35.0 | 50.80 | 47.50 | 44.20 | 30.00 | 77.50 | | 0.26 |
| | BSOD 2 1/2" | LMB3.Q25.64A.35.0 | 63.50 | 60.20 | 57.20 | 40.00 | 91.00 | | 0.42 |
| | BSOD 3" | LMB3.Q30.64A.35.0 | 76.20 | 72.90 | 58.20 | 40.00 | 106.00 | | 0.57 |
| | BSOD 4" | LMB3.Q40.64A.35.0 | 101.60 | 97.38 | 59.20 | 40.00 | 130.00 | | 0.76 |



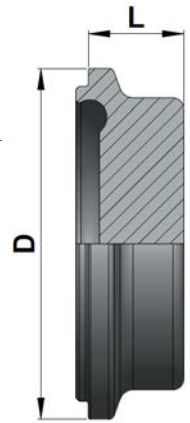
Aseptik Bundklemm-Blinddeckel



| | Größe | Artikel-Nr. | D [mm] | L [mm] | | | | | | Gewicht [kg] |
|----------------|--------------------|-------------------|-----------|-----------|--|--|--|--|------|-----------------|
| DIN Abmessung | DIN DN10 | LMG0.X10.64A.35.0 | 34.00 | 12.00 | | | | | | 0.06 |
| | DIN DN15 | LMG0.X15.64A.35.0 | 34.00 | 12.00 | | | | | | 0.05 |
| | DIN DN20 | LMG0.X20.64A.35.0 | 50.50 | 12.00 | | | | | | 0.15 |
| | DIN DN25 | LMG0.X25.64A.35.0 | 50.50 | 10.50 | | | | | | 0.13 |
| | DIN DN32 | LMG0.X32.64A.35.0 | 50.50 | 14.00 | | | | | | 0.16 |
| | DIN DN40 | LMG0.X40.64A.35.0 | 64.00 | 14.00 | | | | | | 0.27 |
| | DIN DN50 | LMG0.X50.64A.35.0 | 77.50 | 14.50 | | | | | | 0.39 |
| | DIN DN65 | LMG0.X65.64A.35.0 | 91.00 | 16.50 | | | | | | 0.66 |
| | DIN DN80 | LMG0.X80.64A.35.0 | 106.00 | 18.50 | | | | | | 1.03 |
| | DIN DN100 | LMG.D100.64A.35.0 | 130.00 | 20.00 | | | | | | 1.70 |
| ISO Abmessung | ISO DN08 | LMG0.N08.64A.35.0 | 34.00 | 12.00 | | | | | | 0.06 |
| | ISO DN10 | LMG0.N10.64A.35.0 | 34.00 | 12.00 | | | | | | 0.06 |
| | ISO DN15 | LMG0.N15.64A.35.0 | 34.00 | 13.00 | | | | | | 0.06 |
| | ISO DN20 | LMG0.N20.64A.35.0 | 50.50 | 9.00 | | | | | | 0.11 |
| | ISO DN25 | LMG0.N25.64A.35.0 | 50.50 | 14.00 | | | | | | 0.14 |
| | ISO DN32 | LMG0.N32.64A.35.0 | 64.00 | 14.00 | | | | | | 0.14 |
| | ISO DN40 | LMG0.N40.64A.35.0 | 64.00 | 15.00 | | | | | | 0.29 |
| | ISO DN50 | LMG0.N50.64A.35.0 | 91.00 | 17.00 | | | | | | 0.68 |
| | ISO DN65 | LMG0.N65.64A.35.0 | 106.00 | 18.50 | | | | | | 1.04 |
| BSOD-Abmessung | ISO DN80 | LMG0.N80.64A.35.0 | 119.00 | 21.00 | | | | | | 1.47 |
| | BSOD 1/2" | LMG0.K05.64A.35.0 | 34.00 | 12.00 | | | | | | 0.06 |
| | BSOD 3/4" | LMG0.K07.64A.35.0 | 34.00 | 12.00 | | | | | | 0.05 |
| | BSOD 1" | LMG0.K10.64A.35.0 | 50.50 | 10.50 | | | | | | 0.13 |
| | BSOD 1 1/2" | LMG0.K15.64A.35.0 | 64.00 | 14.00 | | | | | | 0.27 |
| | BSOD 2" | LMG0.K20.64A.35.0 | 77.50 | 14.50 | | | | | | 0.39 |
| | BSOD 2 1/2" | LMG0.K25.64A.35.0 | 91.00 | 17.50 | | | | | | 0.70 |
| | BSOD 3" | LMG0.K30.64A.35.0 | 106.00 | 18.50 | | | | | | 1.04 |
| BSOD 4" | LMG0.K40.64A.35.0 | 130.00 | 19.50 | | | | | | 1.66 | |



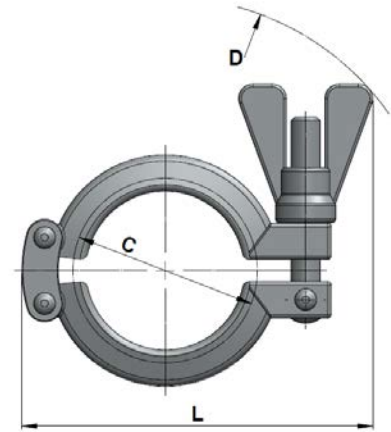
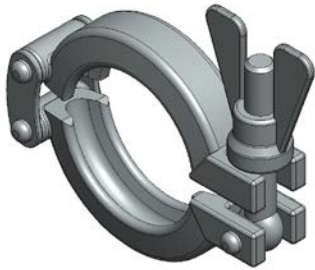
Aseptik Nutklemm-Blinddeckel



| | Größe | Artikel-Nr. | D [mm] | L [mm] | | | | | | Gewicht [kg] |
|----------------|-------------|--------------------|-----------|-----------|--|--|--|--|--|-----------------|
| DIN Abmessung | DIN DN10 | LMF0.X10.64A.35.0 | 34.00 | 11.70 | | | | | | 0.06 |
| | DIN DN15 | LMF0.X15.64A.35.0 | 34.00 | 11.70 | | | | | | 0.06 |
| | DIN DN20 | LMF0.X20.64A.35.0 | 50.50 | 11.70 | | | | | | 0.15 |
| | DIN DN25 | LMF0.X25.64A.35.0 | 50.50 | 10.20 | | | | | | 0.13 |
| | DIN DN32 | LMF0.X32.64A.35.0 | 50.50 | 13.70 | | | | | | 0.16 |
| | DIN DN40 | LMF0.X40.64A.35.0 | 64.00 | 13.70 | | | | | | 0.26 |
| | DIN DN50 | LMF0.X50.64A.35.0 | 77.50 | 14.20 | | | | | | 0.37 |
| | DIN DN65 | LMF0.X65.64A.35.0 | 91.00 | 16.20 | | | | | | 0.63 |
| | DIN DN80 | LMF0.X80.64A.35.0 | 106.00 | 18.20 | | | | | | 0.98 |
| | DIN DN100 | LMF0.X100.64A.35.0 | 130.00 | 19.70 | | | | | | 1.63 |
| ISO Abmessung | ISO DN08 | LMF0.U08.64A.35.0 | 34.00 | 11.70 | | | | | | 0.06 |
| | ISO DN10 | LMF0.U10.64A.35.0 | 34.00 | 11.70 | | | | | | 0.06 |
| | ISO DN15 | LMF0.U15.64A.35.0 | 34.00 | 12.70 | | | | | | 0.06 |
| | ISO DN20 | LMF0.U20.64A.35.0 | 50.50 | 8.20 | | | | | | 0.11 |
| | ISO DN25 | LMF0.U25.64A.35.0 | 50.50 | 13.70 | | | | | | 0.16 |
| | ISO DN32 | LMF0.U32.64A.35.0 | 64.00 | 13.70 | | | | | | 0.26 |
| | ISO DN40 | LMF0.U40.64A.35.0 | 64.00 | 14.70 | | | | | | 0.27 |
| | ISO DN50 | LMF0.U50.64A.35.0 | 91.00 | 16.70 | | | | | | 0.66 |
| | ISO DN65 | LMF0.U65.64A.35.0 | 106.00 | 18.20 | | | | | | 1.00 |
| | ISO DN80 | LMF0.U80.64A.35.0 | 119.00 | 20.70 | | | | | | 1.42 |
| BSOD-Abmessung | BSOD 1/2" | LMF0.Q05.64A.35.0 | 34.00 | 11.70 | | | | | | 0.06 |
| | BSOD 3/4" | LMF0.Q07.64A.35.0 | 34.00 | 11.70 | | | | | | 0.06 |
| | BSOD 1" | LMF0.Q10.64A.35.0 | 50.50 | 10.20 | | | | | | 0.13 |
| | BSOD 1 1/2" | LMF0.Q15.64A.35.0 | 64.00 | 13.70 | | | | | | 0.26 |
| | BSOD 2" | LMF0.Q20.64A.35.0 | 77.50 | 14.20 | | | | | | 0.38 |
| | BSOD 2 1/2" | LMF0.Q25.64A.35.0 | 91.00 | 17.20 | | | | | | 0.67 |
| | BSOD 3" | LMF0.Q30.64A.35.0 | 106.00 | 18.20 | | | | | | 1.00 |
| | BSOD 4" | LMF0.Q40.64A.35.0 | 130.00 | 19.20 | | | | | | 1.59 |



Aseptik Klemmverbindung Klammer



| | Größe | Artikel-Nr. | C [mm] | D [mm] | L [mm] | | | | | Gewicht [kg] |
|----------------|--------------------|--------------------|-----------|-----------|-----------|--|--|--|--|-----------------|
| DIN-Abmessung | DIN DN10 | LMC7.U10.U00.01.0 | 34.00 | 130.00 | 68.00 | | | | | 0.19 |
| | DIN DN15 | LMC7.U10.U00.01.0 | 34.00 | 130.00 | 68.00 | | | | | 0.19 |
| | DIN DN20 | LMC7.U25.U00.01.0 | 50.50 | 154.00 | 93.00 | | | | | 0.22 |
| | DIN DN25 | LMC7.U25.U00.01.0 | 50.50 | 154.00 | 93.00 | | | | | 0.22 |
| | DIN DN32 | LMC7.U25.U00.01.0 | 50.50 | 154.00 | 93.00 | | | | | 0.22 |
| | DIN DN40 | LMC7.U40.U00.01.0 | 64.00 | 180.00 | 108.00 | | | | | 0.26 |
| | DIN DN50 | LMC7.U50.U00.01.0 | 77.50 | 200.00 | 125.00 | | | | | 0.29 |
| | DIN DN65 | LMC7.U65.U00.01.0 | 91.00 | 205.00 | 139.00 | | | | | 0.36 |
| | DIN DN80 | LMC7.U80.U00.01.0 | 106.00 | 216.00 | 144.00 | | | | | 0.39 |
| | DIN DN100 | LMC7.U100.U01.01.0 | 130.00 | 224.00 | 182.00 | | | | | 0.46 |
| ISO Abmessung | ISO DN08 | LMC7.U10.U00.01.0 | 34.00 | 130.00 | 68.00 | | | | | 0.19 |
| | ISO DN10 | LMC7.U10.U00.01.0 | 34.00 | 130.00 | 68.00 | | | | | 0.19 |
| | ISO DN15 | LMC7.U10.U00.01.0 | 34.00 | 130.00 | 68.00 | | | | | 0.46 |
| | ISO DN20 | LMC7.U25.U00.01.0 | 50.50 | 154.00 | 93.00 | | | | | 0.22 |
| | ISO DN25 | LMC7.U25.U00.01.0 | 50.50 | 154.00 | 93.00 | | | | | 0.22 |
| | ISO DN32 | LMC7.U40.U00.01.0 | 64.00 | 180.00 | 108.00 | | | | | 0.26 |
| | ISO DN40 | LMC7.U40.U00.01.0 | 64.00 | 180.00 | 108.00 | | | | | 0.26 |
| | ISO DN50 | LMC7.U65.U00.01.0 | 91.00 | 205.00 | 139.00 | | | | | 0.36 |
| | ISO DN65 | LMC7.U80.U00.01.0 | 106.00 | 216.00 | 144.00 | | | | | 0.39 |
| | ISO DN80 | LMC7.Q40.Q00.01.0 | 119.00 | 214.00 | 173.00 | | | | | 0.44 |
| BSOD Abmessung | BSOD 1/2" | LMC7.U10.U00.01.0 | 34.00 | 130.00 | 68.00 | | | | | 0.19 |
| | BSOD 3/4" | LMC7.U10.U00.01.0 | 34.00 | 130.00 | 68.00 | | | | | 0.19 |
| | BSOD 1" | LMC7.U25.U00.01.0 | 50.50 | 154.00 | 93.00 | | | | | 0.22 |
| | BSOD 1 1/2" | LMC7.U40.U00.01.0 | 64.00 | 180.00 | 108.00 | | | | | 0.26 |
| | BSOD 2" | LMC7.U50.U00.01.0 | 77.50 | 200.00 | 125.00 | | | | | 0.29 |
| | BSOD 2 1/2" | LMC7.U65.U00.01.0 | 91.00 | 205.00 | 139.00 | | | | | 0.36 |
| | BSOD 3" | LMC7.U80.U00.01.0 | 106.00 | 216.00 | 144.00 | | | | | 0.39 |
| | BSOD 4" | LMC7.U100.U01.0 | 130.00 | 224.00 | 182.00 | | | | | 0.46 |



Aseptik O-Ringe

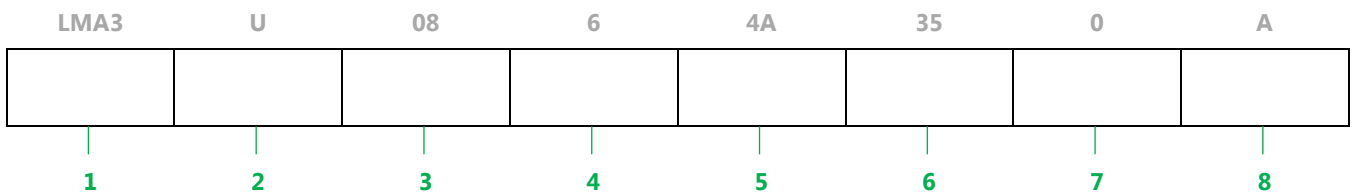


| | Größe | Artikel-Nr. EPDM | Artikel-Nr. FEP | Artikel-Nr. FKM |
|-----------------------|--------------------|-------------------|-------------------|-------------------|
| DIN Abmessung | DIN DN10 | LM01.D10.00.EP.0 | LM01.D10.00.FE.3 | LM01.D10.00.VI.2 |
| | DIN DN15 | LM01.D15.00.EP.0 | LM01.D15.00.FE.3 | LM01.D15.00.VI.2 |
| | DIN DN20 | LM01.D20.00.EP.0 | LM01.D20.00.FE.3 | LM01.D20.00.VI.2 |
| | DIN DN25 | LM01.D25.00.EP.0 | LM01.D25.00.FE.3 | LM01.D25.00.VI.2 |
| | DIN DN32 | LM01.D32.00.EP.0 | LM01.D32.00.FE.3 | LM01.D32.00.VI.2 |
| | DIN DN40 | LM01.D40.00.EP.0 | LM01.D40.00.FE.3 | LM01.D40.00.VI.2 |
| | DIN DN50 | LM01.D50.00.EP.0 | LM01.D50.00.FE.3 | LM01.D50.00.VI.2 |
| | DIN DN65 | LM01.D65.00.EP.0 | LM01.D65.00.FE.3 | LM01.D65.00.VI.2 |
| | DIN DN80 | LM01.D80.00.EP.0 | LM01.D80.00.FE.3 | LM01.D80.00.VI.2 |
| | DIN DN100 | LM01.D100.00.EP.0 | LM01.D100.00.FE.3 | LM01.D100.00.VI.2 |
| ISO Abmessung | ISO DN08 | LM01.N08.00.EP.0 | LM01.N08.00.FE.3 | LM01.N08.00.VI.2 |
| | ISO DN10 | LM01.N10.00.EP.0 | LM01.N10.00.FE.3 | LM01.N10.00.VI.2 |
| | ISO DN15 | LM01.N15.00.EP.0 | LM01.N15.00.FE.3 | LM01.N15.00.VI.2 |
| | ISO DN20 | LM01.N20.00.EP.0 | LM01.N20.00.FE.3 | LM01.N20.00.VI.2 |
| | ISO DN25 | LM01.N25.00.EP.0 | LM01.N25.00.FE.3 | LM01.N25.00.VI.2 |
| | ISO DN32 | LM01.N32.00.EP.0 | LM01.N32.00.FE.3 | LM01.N32.00.VI.2 |
| | ISO DN40 | LM01.N40.00.EP.0 | LM01.N40.00.FE.3 | LM01.N40.00.VI.2 |
| | ISO DN50 | LM01.N50.00.EP.0 | LM01.N50.00.FE.3 | LM01.N50.00.VI.2 |
| | ISO DN65 | LM01.N65.00.EP.0 | LM01.N65.00.FE.3 | LM01.N65.00.VI.2 |
| | ISO DN80 | LM01.N80.00.EP.0 | LM01.N80.00.FE.3 | LM01.N80.00.VI.2 |
| BSOD-Abmessung | BSOD 1/2" | LM01.K05.00.EP.0 | LM01.K05.00.FE.3 | LM01.K05.00.VI.2 |
| | BSOD 3/4" | LM01.K07.00.EP.0 | LM01.K07.00.FE.3 | LM01.K07.00.VI.2 |
| | BSOD 1" | LM01.K10.00.EP.0 | LM01.K10.00.FE.3 | LM01.K10.00.VI.2 |
| | BSOD 1 1/2" | LM01.K15.00.EP.0 | LM01.K15.00.FE.3 | LM01.K15.00.VI.2 |
| | BSOD 2" | LM01.K20.00.EP.0 | LM01.K20.00.FE.3 | LM01.K20.00.VI.2 |
| | BSOD 2 1/2" | LM01.K25.00.EP.0 | LM01.K25.00.FE.3 | LM01.K25.00.VI.2 |
| | BSOD 3" | LM01.K30.00.EP.0 | LM01.K30.00.FE.3 | LM01.K30.00.VI.2 |
| | BSOD 4" | LM01.K40.00.EP.0 | LM01.K40.00.FE.3 | LM01.K40.00.VI.2 |



Aseptik Verschraubung Bestellschlüssel

Bestellbeispiel: **LMA3 . U 08 . 6 4A . 35 . 0 . A**



1. Artikel

| | |
|-------------|----------------------------------|
| LMAA | Aseptik Klemmverbindung komplett |
| LMA3 | Aseptik Nutklemmstutzen |
| LMB3 | Aseptik Bundklemmstutzen |
| LMF0 | Aseptik Nutklemm-Blinddeckel |
| LMG0 | Aseptik Bundklemm-Blinddeckel |
| LM01 | O-Ring Materialspezifikation |

2. Norm

| | |
|----------|----------------|
| X | DIN Abmessung |
| U | ISO Abmessung |
| Q | BSOD Abmessung |

3. Nennweite (siehe Tabelle 13/1)

| | |
|------------|-----------------|
| 02 | Nennweite DN02 |
| 03 | Nennweite DN03 |
| 04 | Nennweite DN04 |
| 06 | Nennweite DN06 |
| 08 | Nennweite DN08 |
| 10 | Nennweite DN10 |
| 15 | Nennweite DN15 |
| 20 | Nennweite DN20 |
| 25 | Nennweite DN25 |
| 30 | Nennweite DN30 |
| 32 | Nennweite DN32 |
| 40 | Nennweite DN40 |
| 50 | Nennweite DN40 |
| 65 | Nennweite DN65 |
| 80 | Nennweite DN80 |
| 100 | Nennweite DN100 |



4. Norm

| | |
|------------|-------------------------------|
| 64A | Norm Bauteil nach DIN 11864-1 |
| X | DIN Abmessung |
| U | ISO Abmessung |
| Q | BSOD Abmessung |

5. Nennweite (siehe Tabelle 13/L)

| | |
|------------|-----------------|
| 02 | Nennweite DN02 |
| 03 | Nennweite DN03 |
| 04 | Nennweite DN04 |
| 06 | Nennweite DN06 |
| 08 | Nennweite DN08 |
| 10 | Nennweite DN10 |
| 15 | Nennweite DN15 |
| 20 | Nennweite DN20 |
| 25 | Nennweite DN25 |
| 30 | Nennweite DN30 |
| 32 | Nennweite DN32 |
| 40 | Nennweite DN40 |
| 50 | Nennweite DN40 |
| 65 | Nennweite DN65 |
| 80 | Nennweite DN80 |
| 100 | Nennweite DN100 |

6. Material

| | |
|-----------|------------------------|
| 16 | 1.4404 (316L) |
| 35 | 1.4435 BN2 |
| 39 | 1.4539 |
| 22 | 2.4602 (Hastelloy C22) |
| 05 | 1.4305 |
| 01 | 1.4301 |

7. Dichtungsmaterial

| | |
|----------|-------------------|
| 0 | EPDM |
| 1 | Silikon |
| 2 | FKM |
| 3 | FEP (Silikonkern) |
| 4 | PEEK |
| 5 | FFKM |

8. Oberfläche

| | |
|----------|--|
| A | Innenoberfläche Ra 0.8; elektropoliert |
| B | Innenoberfläche Ra 0.8; blank |
| C | Innenoberfläche Ra 0.6; elektropoliert |
| D | Innenoberfläche Ra 0.6; blank |
| E | Innenoberfläche Ra 0.4; elektropoliert |
| F | Innenoberfläche Ra 0.4; blank |



Aseptik Verschraubung Rohranschluss-Tabelle 13/1

| Nennweite | DIN 11866 | | |
|-----------|---------------|---------------|----------------|
| | Reihe A (ISO) | Reihe B (DIN) | Reihe C (BSOD) |
| 02 | | | Ø6.35x0.89 |
| 03 | | | Ø9.53x0.89 |
| 04 | | Ø6.00x1.00 | |
| 05 | | | Ø12.70x1.65 |
| 06 | Ø10.20x1.60 | Ø8.00x1.00 | |
| 07 | 6 | | Ø19.05x1.65 |
| 08 | Ø13.50x1.60 | Ø10.00x1.00 | |
| 10 | Ø17.20x1.60 | Ø13.00x1.50 | Ø25.40x1.65 |
| 15 | Ø21.30x1.60 | Ø19.00x1.50 | Ø38.10x1.65 |
| 20 | Ø26.90x1.60 | Ø23.00x1.50 | Ø50.80x1.65 |
| 25 | Ø33.70x1.60 | Ø29.00x1.50 | |
| 30 | | | Ø76.20x1.65 |
| 32 | Ø42.40x2.00 | Ø35.00x1.50 | |
| 40 | Ø48.30x2.00 | Ø41.00x1.50 | Ø97.38x2.11 |
| 50 | Ø60.30x2.00 | Ø53.00x1.50 | |
| 65 | Ø76.10x2.30 | Ø70.00x2.00 | |
| 80 | Ø88.90x2.30 | Ø85.00x2.00 | |
| 100 | Ø114.30x2.30 | Ø104.00x2.00 | |