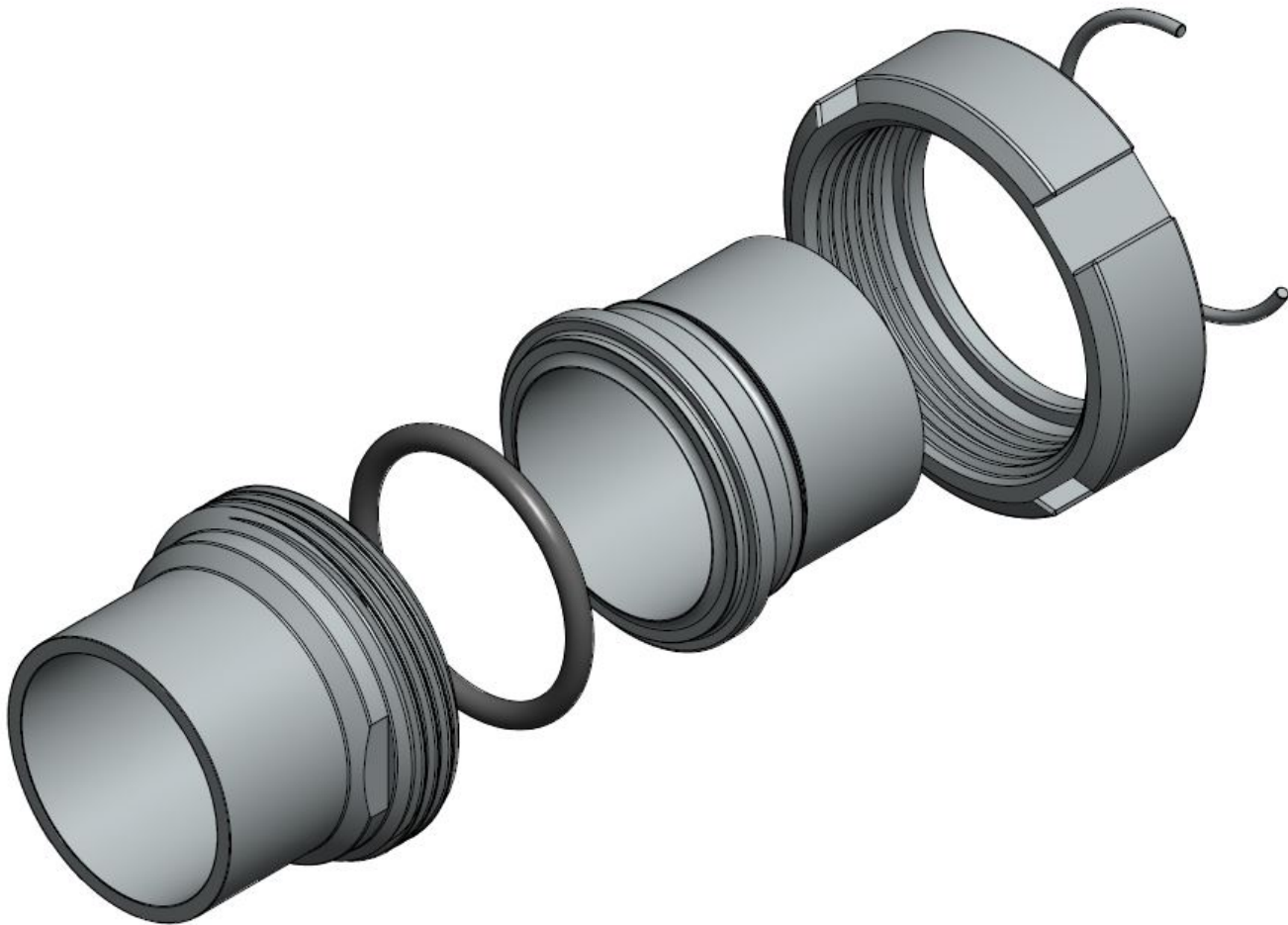




1.2.1 bio-plus® S Steril Verschraubung



bio-plus® S Steril Verschraubung



Übersicht

| | | |
|---|--|-----------------|
|  | bio-plus® S Steril Verschraubung komplett | Seite 4 |
|  | bio-plus® S Gewindestutzen | Seite 5 |
|  | bio-plus® S Bundstutzen | Seite 6 |
|  | bio-plus® S Gewindeblinddeckel | Seite 7 |
|  | bio-plus® S Bundblinddeckel | Seite 8 |
|  | bio-plus® S Überwurfmutter | Seite 9 |
|  | bio-plus® S Sicherungsring | Seite 10 |
|  | bio-plus® S O-Ringe | Seite 11 |
|  | bio-plus® S Erweitertes Produktsortiment | Seite 12 |
|  | bio-plus® S Bestellschlüssel | Seite 13 |
|  | bio-plus® S Rohranschlussstabelle | Seite 15 |

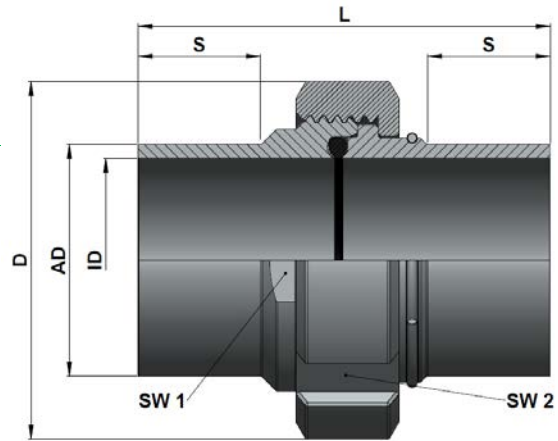
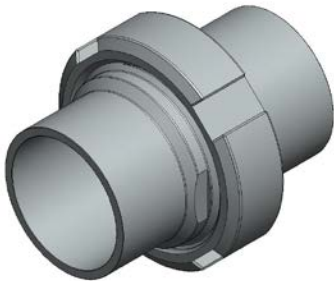


Technische Daten

| | |
|---|--|
| Standard-Baugrößen | <ul style="list-style-type: none">• DIN DN04 - DIN DN40• ISO DN06 - ISO DN40• BSOD DN1/4" –BSOD DN2"• SMS DN04 - SMS DN40 |
| Werkstoffe | Produktberührt: <ul style="list-style-type: none">• 1.4435 BN2 (316L)• Sonderwerkstoffe wie z.B. 2.4602, Titan, 1.4539 etc. auf Anfrage Nicht Produktberührt: <ul style="list-style-type: none">• 1.4305 oder gleichwertig |
| Dichtungswerkstoffe | Standarddichtungen: <ul style="list-style-type: none">• EPDM• FEP (Silikonkern) / Silikon / FKM• Sonderdichtwerkstoffe auf Anfrage |
| Oberflächen | Produktberührte Oberflächen: <ul style="list-style-type: none">• elektropoliert Ra < 0,6µm• andere Oberflächen auf Anfrage Nicht Produktberührte Oberflächen: <ul style="list-style-type: none">• elektropoliert Ra > 1,6µm |
| Rückverfolgbarkeit | Alle produktberührenden Teile markiert mit Material und Chargennummer |
| Produkte | Gase und Flüssigkeiten |
| Umgebungstemperatur | -20°C bis +80°C |
| Betriebsdruck | <ul style="list-style-type: none">• DIN DN04 - DN40 = 16 bar• ISO DN06 – DN40 = 16 bar• BSOD DN1/4" - DN2" = 16 bar• SMS DN04 – DN40 = 16 bar |
| Betriebstemperatur Dichtungswerkstoffe | <ul style="list-style-type: none">• EPDM: -40°C bis +160°C, kurzzeitig bis +170°C• FEP (Silikonkern): -60°C bis +260°C, kurzzeitig bis +300°C |
| Normen | Rohranschlussmaße: <ul style="list-style-type: none">• DIN (DIN11866 Reihe A)• ISO (DIN11866 Reihe B)• BSOD (DIN11866 Reihe C)• SMS (SMS 3008) |
| Zertifikate | Produktberührende Teile: <ul style="list-style-type: none">• EN 10204 / 3.1 Produktberührende Dichtungen: <ul style="list-style-type: none">• FDA-Konformität, USP-Class VI, TSE-frei |



bio-plus® S Verschraubung kompl. EPDM

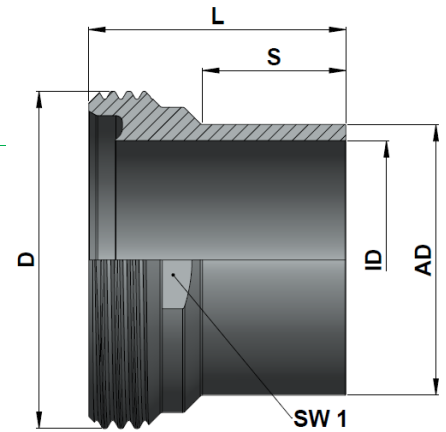


| | Größe | Artikel-Nr. | AD [mm] | ID [mm] | L [mm] | S [mm] | D [mm] | SW 1 [mm] | SW 2 [mm] | Gewicht [kg] |
|----------------|-------------|---------------------|---------|---------|--------|--------|--------|-----------|-----------|--------------|
| DIN Abmessung | DIN DN04 | LMAD.D04.D00.35.0 | 6.00 | 4.00 | 55.50 | 18.00 | 21.70 | 12.00 | 19.00 | 0.04 |
| | DIN DN06 | LMAD.D06.D00.35.0 | 8.00 | 6.00 | 55.20 | 18.00 | 21.70 | 12.00 | 19.00 | 0.04 |
| | DIN DN08 | LMAD.D08.D00.35.0 | 10.00 | 8.00 | 57.20 | 18.00 | 24.50 | 14.00 | 22.00 | 0.05 |
| | DIN DN10 | LMAD.D10.D00.35.0 | 12.00 | 10.00 | 58.00 | 18.00 | 31.00 | 17.00 | 27.00 | 0.07 |
| | DIN DN10 | LMAD.D10.D00.35.0-1 | 13.00 | 10.00 | 58.00 | 18.00 | 31.00 | 17.00 | 27.00 | 0.08 |
| | DIN DN15 | LMAD.D15.D00.35.0 | 19.00 | 16.00 | 58.00 | 18.00 | 41.30 | 22.00 | 36.00 | 0.13 |
| | DIN DN20 | LMAD.D20.D00.35.0 | 23.00 | 20.00 | 60.00 | 18.00 | 48.30 | n.a. | *42.00 | 0.20 |
| | DIN DN25 | LMAD.D25.D00.35.0 | 29.00 | 26.00 | 60.00 | 18.00 | 52.00 | n.a. | *46.00 | 0.24 |
| | DIN DN32 | LMAD.D32.D00.35.0 | 35.00 | 32.00 | 65.00 | 18.00 | 62.00 | n.a. | *56.00 | 0.40 |
| | DIN DN40 | LMAD.D40.D00.35.0 | 41.00 | 38.00 | 65.00 | 18.00 | 62.00 | n.a. | *56.00 | 0.34 |
| ISO Abmessung | ISO DN06 | LMAD.N06.N00.35.0 | 10.20 | 7.00 | 57.20 | 18.00 | 24.50 | 14.00 | 22.00 | 0.05 |
| | ISO DN08 | LMAD.N08.N00.35.0 | 13.50 | 10.30 | 58.00 | 18.00 | 31.00 | 17.00 | 27.00 | 0.08 |
| | ISO DN10 | LMAD.N10.N00.35.0 | 17.20 | 14.00 | 58.00 | 18.00 | 36.50 | 21.00 | 32.00 | 0.11 |
| | ISO DN15 | LMAD.N15.N00.35.0 | 21.30 | 18.10 | 58.00 | 18.00 | 41.30 | 22.00 | 36.00 | 0.13 |
| | ISO DN20 | LMAD.N20.N00.35.0 | 26.90 | 23.70 | 58.00 | 18.00 | 48.30 | n.a. | *42.00 | 0.18 |
| | ISO DN25 | LMAD.N25.N00.35.0 | 33.70 | 29.70 | 60.00 | 18.00 | 52.00 | n.a. | *46.00 | 0.23 |
| | ISO DN32 | LMAD.N32.N00.35.0 | 42.40 | 38.40 | 65.00 | 18.00 | 62.00 | n.a. | *56.00 | 0.36 |
| | ISO DN40 | LMAD.N40.N00.35.0 | 48.30 | 44.30 | 65.00 | 18.00 | 67.00 | n.a. | *61.00 | 0.39 |
| BSOD-Abmessung | BSOD 1/4" | LMAD.K02.K00.35.0 | 6.35 | 4.57 | 55.50 | 18.00 | 21.70 | 12.00 | 19.00 | 0.04 |
| | BSOD 3/8" | LMAD.K03.K00.35.0 | 9.53 | 7.75 | 71.60 | 25.40 | 24.50 | 14.00 | 22.00 | 0.05 |
| | BSOD 1/2" | LMAD.K05.K00.35.0 | 12.70 | 9.40 | 71.60 | 25.40 | 31.00 | 17.00 | 27.00 | 0.08 |
| | BSOD 3/4" | LMAD.K07.K00.35.0 | 19.05 | 15.75 | 71.60 | 25.40 | 36.50 | 21.00 | 32.00 | 0.11 |
| | BSOD 1" | LMAD.K10.K00.35.0 | 25.40 | 22.10 | 71.60 | 25.40 | 48.30 | n.a. | *42.00 | 0.20 |
| | BSOD 1 1/2" | LMAD.K15.K00.35.0 | 38.10 | 34.80 | 78.60 | 25.40 | 62.00 | n.a. | *56.00 | 0.39 |
| | BSOD 2" | LMAD.K20.K00.35.0 | 50.80 | 47.50 | 80.60 | 25.40 | 79.50 | n.a. | *74.00 | 0.63 |
| SMS-Abmessung | SMS DN06 | LMAD.E06.E00.35.0 | 8.00 | 6.00 | 55.20 | 18.00 | 21.70 | 12.00 | 19.00 | 0.04 |
| | SMS DN08 | LMAD.E08.E00.35.0 | 10.00 | 8.00 | 57.20 | 18.00 | 24.50 | 14.00 | 22.00 | 0.05 |
| | SMS DN10 | LMAD.E10.E00.35.0 | 12.00 | 10.00 | 58.00 | 18.00 | 31.00 | 17.00 | 27.00 | 0.07 |
| | SMS DN15 | LMAD.E15.E00.35.0 | 18.00 | 16.00 | 58.00 | 18.00 | 41.30 | n.a. | 36.00 | 0.13 |
| | SMS DN20 | LMAD.E20.E00.35.0 | 22.00 | 20.00 | 60.00 | 18.00 | 48.30 | n.a. | *42.00 | 0.19 |
| | SMS DN25 | LMAD.E25.E00.35.0 | 25.00 | 22.60 | 60.00 | 18.00 | 48.30 | n.a. | *42.00 | 0.18 |
| | SMS DN32 | LMAD.E32.E00.35.0 | 32.00 | 29.60 | 60.00 | 18.00 | 52.00 | n.a. | *46.00 | 0.21 |
| | SMS DN40 | LMAD.E40.E00.35.0 | 38.00 | 35.60 | 65.00 | 18.00 | 62.00 | n.a. | *56.00 | 0.36 |

*für Hackenschlüssel



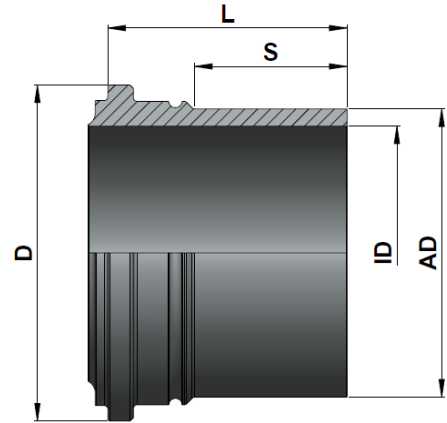
bio-plus® S Gewindestutzen



| | Größe | Artikel-Nr. | AD [mm] | ID [mm] | L [mm] | S [mm] | D [mm] | SW 1 [mm] | | Gewicht [kg] |
|----------------|--------------------|---------------------|---------|---------|--------|--------|---------|-----------|--|--------------|
| DIN Abmessung | DIN DN04 | LMB3.D04.D00.35.0 | 6.00 | 4.00 | 28.00 | 18.00 | M16x1.5 | 12.00 | | 0.01 |
| | DIN DN06 | LMB3.D06.D00.35.0 | 8.00 | 6.00 | 28.00 | 18.00 | M16x1.5 | 12.00 | | 0.01 |
| | DIN DN08 | LMB3.D08.D00.35.0 | 10.00 | 8.00 | 30.00 | 18.00 | M18x1.5 | 14.00 | | 0.02 |
| | DIN DN10 | LMB3.D10.D00.35.0 | 12.00 | 10.00 | 30.00 | 18.00 | M22x1.5 | 17.00 | | 0.02 |
| | DIN DN10 | LMB3.D10.D00.35.0-1 | 13.00 | 10.00 | 30.00 | 18.00 | M22x1.5 | 17.00 | | 0.03 |
| | DIN DN15 | LMB3.D15.D00.35.0 | 19.00 | 16.00 | 30.00 | 18.00 | M30x2.0 | 22.00 | | 0.04 |
| | DIN DN20 | LMB3.D20.D00.35.0 | 23.00 | 20.00 | 32.00 | 18.00 | M36x2.0 | n.a. | | 0.07 |
| | DIN DN25 | LMB3.D25.D00.35.0 | 29.00 | 26.00 | 32.00 | 18.00 | M42x2.0 | n.a. | | 0.08 |
| | DIN DN32 | LMB3.D32.D00.35.0 | 35.00 | 32.00 | 34.00 | 18.00 | M52x2.0 | n.a. | | 0.14 |
| ISO Abmessung | ISO DN06 | LMB3.N06.N00.35.0 | 10.20 | 7.00 | 30.00 | 18.00 | M18x1.5 | 14.00 | | 0.02 |
| | ISO DN08 | LMB3.N08.N00.35.0 | 13.50 | 10.30 | 30.00 | 18.00 | M22x1.5 | 17.00 | | 0.03 |
| | ISO DN10 | LMB3.N10.N00.35.0 | 17.20 | 14.00 | 30.00 | 18.00 | M26x1.5 | 21.00 | | 0.03 |
| | ISO DN15 | LMB3.N15.N00.35.0 | 21.30 | 18.10 | 30.00 | 18.00 | M30x2.0 | 22.00 | | 0.04 |
| | ISO DN20 | LMB3.N20.N00.35.0 | 26.90 | 23.70 | 30.00 | 18.00 | M36x2.0 | n.a. | | 0.05 |
| | ISO DN25 | LMB3.N25.N00.35.0 | 33.70 | 29.70 | 32.00 | 18.00 | M42x2.0 | n.a. | | 0.08 |
| | ISO DN32 | LMB3.N32.N00.35.0 | 42.40 | 38.40 | 34.00 | 18.00 | M52x2.0 | n.a. | | 0.12 |
| | ISO DN40 | LMB3.N40.N00.35.0 | 48.30 | 44.30 | 34.00 | 18.00 | M56x2.0 | n.a. | | 0.12 |
| BSOD-Abmessung | BSOD 1/4" | LMB3.K02.K00.35.0 | 6.35 | 4.57 | 28.00 | 18.00 | M16x1.5 | 12.00 | | 0.01 |
| | BSOD 3/8" | LMB3.K03.K00.35.0 | 9.53 | 7.75 | 36.70 | 25.40 | M18x1.5 | 14.00 | | 0.02 |
| | BSOD 1/2" | LMB3.K05.K00.35.0 | 12.70 | 9.40 | 36.70 | 25.40 | M22x1.5 | 17.00 | | 0.03 |
| | BSOD 3/4" | LMB3.K07.K00.35.0 | 19.05 | 15.75 | 36.70 | 25.40 | M26x1.5 | 21.00 | | 0.04 |
| | BSOD 1" | LMB3.K10.K00.35.0 | 25.40 | 22.10 | 36.70 | 25.40 | M36x2.0 | n.a. | | 0.06 |
| | BSOD 1 1/2" | LMB3.K15.K00.35.0 | 38.10 | 34.80 | 40.70 | 18.00 | M52x2.0 | n.a. | | 0.14 |
| | BSOD 2" | LMB3.K20.K00.35.0 | 50.80 | 47.50 | 42.70 | 25.40 | M68x2.0 | n.a. | | 0.24 |
| SMS-Abmessung | SMS DN06 | LMB3.E06.E00.35.0 | 8.00 | 6.00 | 28.00 | 18.00 | M16x1.5 | 12.00 | | 0.01 |
| | SMS DN08 | LMB3.E08.E00.35.0 | 10.00 | 8.00 | 30.00 | 18.00 | M18x1.5 | 14.00 | | 0.02 |
| | SMS DN10 | LMB3.E10.E00.35.0 | 12.00 | 10.00 | 30.00 | 18.00 | M22x1.5 | 17.00 | | 0.02 |
| | SMS DN15 | LMB3.E15.E00.35.0 | 18.00 | 16.00 | 30.00 | 18.00 | M30x2.0 | n.a. | | 0.04 |
| | SMS DN20 | LMB3.E20.E00.35.0 | 22.00 | 20.00 | 32.00 | 18.00 | M36x2.0 | n.a. | | 0.06 |
| | SMS DN25 | LMB3.E25.E00.35.0 | 25.00 | 22.60 | 32.00 | 18.00 | M36x2.0 | n.a. | | 0.06 |
| | SMS DN32 | LMB3.E32.E00.35.0 | 32.00 | 29.60 | 32.00 | 18.00 | M42x2.0 | n.a. | | 0.07 |
| | SMS DN40 | LMB3.E40.E00.35.0 | 38.00 | 35.60 | 35.00 | 18.00 | M52x2.0 | n.a. | | 0.12 |



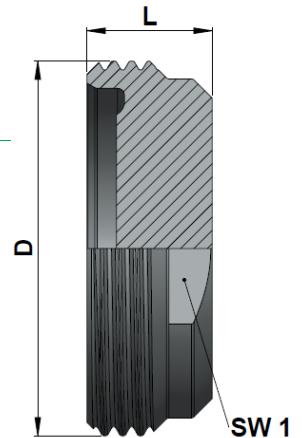
bio-plus® S Bundstutzen



| | Größe | Artikel-Nr. | AD [mm] | ID [mm] | L [mm] | S [mm] | D [mm] | | Gewicht [kg] |
|----------------|--------------------|---------------------|---------|---------|--------|--------|--------|--|--------------|
| DIN Abmessung | DIN DN04 | LMA3.D04.D00.35.0 | 6.00 | 4.00 | 27.50 | 18.00 | 13.80 | | 0.01 |
| | DIN DN06 | LMA3.D06.D00.35.0 | 8.00 | 6.00 | 27.20 | 18.00 | 13.80 | | 0.01 |
| | DIN DN08 | LMA3.D08.D00.35.0 | 10.00 | 8.00 | 27.20 | 18.00 | 15.80 | | 0.01 |
| | DIN DN10 | LMA3.D10.D00.35.0 | 12.00 | 10.00 | 28.00 | 18.00 | 19.80 | | 0.02 |
| | DIN DN10 | LMA3.D10.D00.35.0-1 | 13.00 | 10.00 | 28.00 | 18.00 | 19.80 | | 0.02 |
| | DIN DN15 | LMA3.D15.D00.35.0 | 19.00 | 16.00 | 28.00 | 18.00 | 27.40 | | 0.04 |
| | DIN DN20 | LMA3.D20.D00.35.0 | 23.00 | 20.00 | 28.00 | 18.00 | 33.70 | | 0.05 |
| | DIN DN25 | LMA3.D25.D00.35.0 | 29.00 | 26.00 | 28.00 | 18.00 | 39.30 | | 0.06 |
| | DIN DN32 | LMA3.D32.D00.35.0 | 35.00 | 32.00 | 31.00 | 18.00 | 49.00 | | 0.11 |
| ISO Abmessung | DIN DN40 | LMA3.D40.D00.35.0 | 41.00 | 38.00 | 31.00 | 18.00 | 49.00 | | 0.80 |
| | ISO DN06 | LMA3.N06.N00.35.0 | 10.20 | 7.00 | 27.20 | 18.00 | 15.80 | | 0.01 |
| | ISO DN08 | LMA3.N08.N00.35.0 | 13.50 | 10.30 | 28.00 | 18.00 | 19.80 | | 0.02 |
| | ISO DN10 | LMA3.N10.N00.35.0 | 17.20 | 14.00 | 28.00 | 18.00 | 24.20 | | 0.03 |
| | ISO DN15 | LMA3.N15.N00.35.0 | 21.30 | 18.10 | 28.00 | 18.00 | 27.40 | | 0.03 |
| | ISO DN20 | LMA3.N20.N00.35.0 | 26.90 | 23.70 | 28.00 | 18.00 | 33.70 | | 0.04 |
| | ISO DN25 | LMA3.N25.N00.35.0 | 33.70 | 29.70 | 28.00 | 18.00 | 39.30 | | 0.06 |
| | ISO DN32 | LMA3.N32.N00.35.0 | 42.40 | 38.40 | 31.00 | 18.00 | 49.00 | | 0.09 |
| BSOD-Abmessung | ISO DN40 | LMA3.N40.N00.35.0 | 48.30 | 44.30 | 31.00 | 18.00 | 54.00 | | 0.10 |
| | BSOD 1/4" | LMA3.K02.K00.35.0 | 6.35 | 4.57 | 27.50 | 18.00 | 13.80 | | 0.01 |
| | BSOD 3/8" | LMA3.K03.K00.35.0 | 9.53 | 7.75 | 34.90 | 25.40 | 15.80 | | 0.01 |
| | BSOD 1/2" | LMA3.K05.K00.35.0 | 12.70 | 9.40 | 34.90 | 25.40 | 19.80 | | 0.02 |
| | BSOD 3/4" | LMA3.K07.K00.35.0 | 19.05 | 15.75 | 34.90 | 25.40 | 24.20 | | 0.03 |
| | BSOD 1" | LMA3.K10.K00.35.0 | 25.40 | 22.10 | 34.90 | 25.40 | 33.70 | | 0.05 |
| | BSOD 1 1/2" | LMA3.K15.K00.35.0 | 38.10 | 34.80 | 37.90 | 18.00 | 49.00 | | 0.11 |
| SMS-Abmessung | BSOD 2" | LMA3.K20.K00.35.0 | 50.80 | 47.50 | 37.90 | 25.40 | 65.00 | | 0.18 |
| | SMS DN06 | LMA3.E06.E00.35.0 | 6.00 | 4.00 | 27.50 | 18.00 | 13.80 | | 0.01 |
| | SMS DN08 | LMA3.E08.E00.35.0 | 8.00 | 6.00 | 27.20 | 18.00 | 15.80 | | 0.01 |
| | SMS DN10 | LMA3.E10.E00.35.0 | 10.00 | 8.00 | 27.20 | 18.00 | 19.80 | | 0.01 |
| | SMS DN15 | LMA3.E15.E00.35.0 | 12.00 | 10.00 | 28.00 | 18.00 | 27.40 | | 0.02 |
| | SMS DN20 | LMA3.E20.E00.35.0 | 22.00 | 20.00 | 28.00 | 18.00 | 33.70 | | 0.04 |
| | SMS DN25 | LMA3.E25.E00.35.0 | 25.00 | 22.60 | 28.00 | 18.00 | 33.70 | | 0.04 |
| | SMS DN32 | LMA3.E32.E00.35.0 | 32.00 | 29.60 | 28.00 | 18.00 | 39.30 | | 0.05 |
| | SMS DN40 | LMA3.E40.E00.35.0 | 38.00 | 35.60 | 31.00 | 18.00 | 49.00 | | 0.09 |



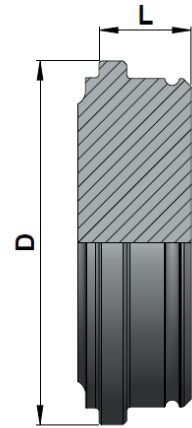
bio-plus® S Gewindeblinddeckel



| | Größe | Artikel-Nr. | D [mm] | L [mm] | SW 1 [mm] | | | | | Gewicht [kg] |
|----------------|-------------------|-------------------|-----------|-----------|--------------|--|--|--|------|-----------------|
| DIN Abmessung | DIN DN04 | LMF0.D04.D00.35.0 | M16x1.5 | 10.00 | 12.00 | | | | | 0.01 |
| | DIN DN06 | LMF0.D06.D00.35.0 | M16x1.5 | 10.00 | 12.00 | | | | | 0.01 |
| | DIN DN08 | LMF0.D08.D00.35.0 | M18x1.5 | 10.00 | 14.00 | | | | | 0.01 |
| | DIN DN10 | LMF0.D10.D00.35.0 | M22x1.5 | 12.00 | 17.00 | | | | | 0.03 |
| | DIN DN15 | LMF0.D15.D00.35.0 | M30x2.0 | 12.00 | 24.00 | | | | | 0.05 |
| | DIN DN20 | LMF0.D20.D00.35.0 | M36x2.0 | 12.00 | 30.00 | | | | | 0.07 |
| | DIN DN25 | LMF0.D25.D00.35.0 | M42x2.0 | 15.00 | 36.00 | | | | | 0.13 |
| | DIN DN32 | LMF0.D32.D00.35.0 | M52x2.0 | 18.00 | 46.00 | | | | | 0.25 |
| DIN DN40 | LMF0.D40.D00.35.0 | M52x2.0 | 18.00 | 46.00 | | | | | 0.24 | |
| ISO Abmessung | ISO DN06 | LMF0.N06.N00.35.0 | M18x1.5 | 10.00 | 14.00 | | | | | 0.01 |
| | ISO DN08 | LMF0.N08.N00.35.0 | M22x1.5 | 10.00 | 17.00 | | | | | 0.02 |
| | ISO DN10 | LMF0.N10.N00.35.0 | M26x1.5 | 12.00 | 21.00 | | | | | 0.04 |
| | ISO DN15 | LMF0.N15.N00.35.0 | M30x2.0 | 12.00 | 24.00 | | | | | 0.05 |
| | ISO DN20 | LMF0.N20.N00.35.0 | M36x2.0 | 12.00 | 30.00 | | | | | 0.07 |
| | ISO DN25 | LMF0.N25.N00.35.0 | M42x2.0 | 15.00 | 36.00 | | | | | 0.12 |
| | ISO DN32 | LMF0.N32.N00.35.0 | M52x2.0 | 18.00 | 46.00 | | | | | 0.24 |
| | ISO DN40 | LMF0.N40.N00.35.0 | M56x2.0 | 18.00 | 50.00 | | | | | 0.28 |
| BSOD-Abmessung | BSOD 1/4" | LMF0.K02.K00.35.0 | M16x1.5 | 10.00 | 12.00 | | | | | 0.01 |
| | BSOD 3/8" | LMF0.K03.K00.35.0 | M18x1.5 | 10.00 | 14.00 | | | | | 0.01 |
| | BSOD 1/2" | LMF0.K05.K00.35.0 | M22x1.5 | 12.00 | 17.00 | | | | | 0.03 |
| | BSOD 3/4" | LMF0.K07.K00.35.0 | M26x1.5 | 12.00 | 21.00 | | | | | 0.03 |
| | BSOD 1" | LMF0.K10.K00.35.0 | M36x2.0 | 12.00 | 30.00 | | | | | 0.07 |
| | BSOD 1 1/2" | LMF0.K15.K00.35.0 | M52x2.0 | 18.00 | 46.00 | | | | | 0.24 |
| | BSOD 2" | LMF0.K20.K00.35.0 | M68x2.0 | 18.00 | 60.00 | | | | | 0.42 |
| SMS-Abmessung | SMS DN06 | LMF0.E06.E00.35.0 | M16x1.5 | 10.00 | 12.00 | | | | | 0.01 |
| | SMS DN08 | LMF0.E08.E00.35.0 | M18x1.5 | 10.00 | 14.00 | | | | | 0.01 |
| | SMS DN10 | LMF0.E10.E00.35.0 | M22x1.5 | 12.00 | 17.00 | | | | | 0.03 |
| | SMS DN15 | LMF0.E15.E00.35.0 | M30x2.0 | 12.00 | 24.00 | | | | | 0.05 |
| | SMS DN20 | LMF0.E20.E00.35.0 | M36x2.0 | 12.00 | 30.00 | | | | | 0.07 |
| | SMS DN25 | LMF0.E25.E00.35.0 | M36x2.0 | 12.00 | 30.00 | | | | | 0.07 |
| | SMS DN32 | LMF0.E32.E00.35.0 | M42x2.0 | 15.00 | 36.00 | | | | | 0.12 |
| | SMS DN40 | LMF0.E40.E00.35.0 | M52x2.0 | 18.00 | 46.00 | | | | | 0.25 |



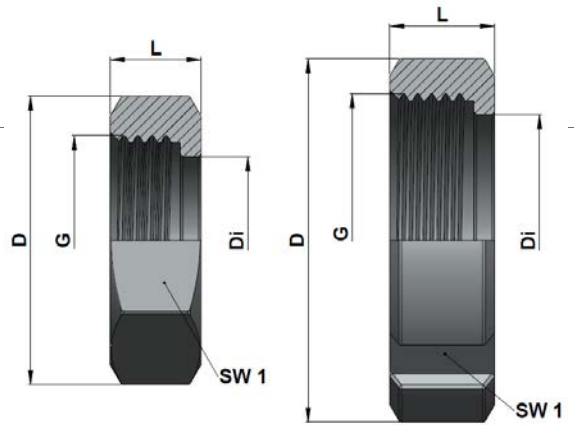
bio-plus® S Bundblinddeckel



| | Größe | Artikel-Nr. | D [mm] | L [mm] | | | | | | Gewicht [kg] |
|----------------|-------------------|-------------------|-----------|-----------|--|--|--|--|------|-----------------|
| DIN Abmessung | DIN DN04 | LMG1.D04.D00.35.0 | 13.80 | 9.00 | | | | | | 0.01 |
| | DIN DN06 | LMG1.D06.D00.35.0 | 13.80 | 10.00 | | | | | | 0.01 |
| | DIN DN08 | LMG1.D08.D00.35.0 | 15.80 | 10.00 | | | | | | 0.01 |
| | DIN DN10 | LMG1.D10.D00.35.0 | 19.80 | 10.00 | | | | | | 0.02 |
| | DIN DN15 | LMG1.D15.D00.35.0 | 27.40 | 10.00 | | | | | | 0.04 |
| | DIN DN20 | LMG1.D20.D00.35.0 | 33.70 | 10.00 | | | | | | 0.06 |
| | DIN DN25 | LMG1.D25.D00.35.0 | 39.30 | 10.00 | | | | | | 0.10 |
| | DIN DN32 | LMG1.D32.D00.35.0 | 49.00 | 13.00 | | | | | | 0.19 |
| DIN DN40 | LMG1.D40.D00.35.0 | 49.00 | 13.00 | | | | | | 0.19 | |
| ISO Abmessung | ISO DN06 | LMG1.N06.N00.35.0 | 15.80 | 10.00 | | | | | | 0.01 |
| | ISO DN08 | LMG1.N08.N00.35.0 | 19.80 | 10.00 | | | | | | 0.02 |
| | ISO DN10 | LMG1.N10.N00.35.0 | 24.20 | 10.00 | | | | | | 0.03 |
| | ISO DN15 | LMG1.N15.N00.35.0 | 27.40 | 10.00 | | | | | | 0.04 |
| | ISO DN20 | LMG1.N20.N00.35.0 | 33.70 | 10.00 | | | | | | 0.07 |
| | ISO DN25 | LMG1.N25.N00.35.0 | 39.30 | 10.00 | | | | | | 0.10 |
| | ISO DN32 | LMG1.N32.N00.35.0 | 49.00 | 13.00 | | | | | | 0.19 |
| | ISO DN40 | LMG1.N40.N00.35.0 | 54.00 | 13.00 | | | | | | 0.25 |
| BSOD-Abmessung | BSOD 1/4" | LMG1.K02.K00.35.0 | 13.80 | 9.00 | | | | | | 0.01 |
| | BSOD 3/8" | LMG1.K03.K00.35.0 | 15.80 | 10.00 | | | | | | 0.01 |
| | BSOD 1/2" | LMG1.K05.K00.35.0 | 19.80 | 10.00 | | | | | | 0.02 |
| | BSOD 3/4" | LMG1.K07.K00.35.0 | 24.20 | 10.00 | | | | | | 0.04 |
| | BSOD 1" | LMG1.K10.K00.35.0 | 33.70 | 10.00 | | | | | | 0.06 |
| | BSOD 1 1/2" | LMG1.K15.K00.35.0 | 49.00 | 13.00 | | | | | | 0.19 |
| | BSOD 2" | LMG1.K20.K00.35.0 | 65.00 | 13.00 | | | | | | 0.35 |
| SMS-Abmessung | SMS DN06 | LMG1.E06.E00.35.0 | 13.80 | 10.00 | | | | | | 0.01 |
| | SMS DN08 | LMG1.E08.E00.35.0 | 15.80 | 10.00 | | | | | | 0.01 |
| | SMS DN10 | LMG1.E10.E00.35.0 | 19.80 | 10.00 | | | | | | 0.02 |
| | SMS DN15 | LMG1.E15.E00.35.0 | 27.40 | 10.00 | | | | | | 0.04 |
| | SMS DN20 | LMG1.E20.E00.35.0 | 33.70 | 10.00 | | | | | | 0.06 |
| | SMS DN25 | LMG1.E25.E00.35.0 | 33.70 | 10.00 | | | | | | 0.07 |
| | SMS DN32 | LMG1.E32.E00.35.0 | 39.30 | 10.00 | | | | | | 0.10 |
| | SMS DN40 | LMG1.E40.E00.35.0 | 49.00 | 13.00 | | | | | | 0.19 |



bio-plus® S Überwurfmutter



| | Größe | Artikel-Nr. | D [mm] | G [mm] | L [mm] | Di [mm] | SW 1 [mm] | | Gewicht [kg] |
|----------------|-------------------|-------------------|-----------|-----------|-----------|------------|--------------|------|-----------------|
| DIN Abmessung | DIN DN04 | LMC0.D06.D00.05.0 | 21.70 | M16x1.5 | 12.00 | 10.4 | 19.00 | | 0.02 |
| | DIN DN06 | LMC0.D06.D00.05.0 | 21.70 | M16x1.5 | 12.00 | 10.40 | 19.00 | | 0.02 |
| | DIN DN08 | LMC0.D08.D00.05.0 | 24.50 | M18x1.5 | 12.00 | 13.80 | 22.00 | | 0.02 |
| | DIN DN10 | LMC0.N08.N00.05.0 | 31.00 | M22x1.5 | 12.00 | 15.50 | 27.00 | | 0.03 |
| | DIN DN15 | LMC0.N15.N00.05.0 | 41.30 | M30x2.0 | 13.00 | 23.90 | 36.00 | | 0.05 |
| | DIN DN20 | LMC0.N20.N00.05.0 | 48.30 | M36x2.0 | 13.00 | 28.50 | *42.00 | | 0.09 |
| | DIN DN25 | LMC0.N25.N00.05.0 | 52.00 | M42x2.0 | 15.00 | 36.00 | *46.00 | | 0.09 |
| | DIN DN32 | LMC0.N32.N00.05.0 | 62.00 | M52x2.0 | 18.00 | 44.00 | *56.00 | | 0.14 |
| DIN DN40 | LMC0.N32.N00.05.0 | 62.00 | M52x2.0 | 18.00 | 44.00 | *56.00 | | 0.14 | |
| ISO Abmessung | ISO DN06 | LMC0.D08.D00.05.0 | 24.50 | M18x1.5 | 12.00 | 12.40 | 22.00 | | 0.02 |
| | ISO DN08 | LMC0.N08.N00.05.0 | 31.00 | M22x1.5 | 12.00 | 15.50 | 27.00 | | 0.03 |
| | ISO DN10 | LMC0.N10.N00.05.0 | 36.50 | M26x1.5 | 13.00 | 21.40 | 32.00 | | 0.04 |
| | ISO DN15 | LMC0.N15.N00.05.0 | 41.30 | M30x2.0 | 13.00 | 23.90 | 36.00 | | 0.05 |
| | ISO DN20 | LMC0.N20.N00.05.0 | 48.30 | M36x2.0 | 13.00 | 28.50 | *42.00 | | 0.09 |
| | ISO DN25 | LMC0.N25.N00.05.0 | 52.00 | M42x2.0 | 15.00 | 36.00 | *46.00 | | 0.09 |
| | ISO DN32 | LMC0.N32.N00.05.0 | 62.00 | M52x2.0 | 18.00 | 44.00 | *56.00 | | 0.14 |
| | ISO DN40 | LMC0.N40.N00.05.0 | 67.00 | M56x2.0 | 18.00 | 48.60 | *61.00 | | 0.17 |
| BSOD-Abmessung | BSOD 1/4" | LMC0.D06.D00.05.0 | 21.70 | M16x1.5 | 12.00 | 10.40 | 19.00 | | 0.02 |
| | BSOD 3/8" | LMC0.D08.D00.05.0 | 24.50 | M18x1.5 | 12.00 | 12.40 | 22.00 | | 0.02 |
| | BSOD 1/2" | LMC0.N08.N00.05.0 | 31.00 | M22x1.5 | 12.00 | 15.50 | 27.00 | | 0.03 |
| | BSOD 3/4" | LMC0.N10.N00.05.0 | 36.50 | M26x1.5 | 13.00 | 21.40 | 32.00 | | 0.04 |
| | BSOD 1" | LMC0.N20.N00.05.0 | 48.30 | M36x2.0 | 13.00 | 28.50 | *42.00 | | 0.09 |
| | BSOD 1 1/2" | LMC0.N32.N00.05.0 | 62.00 | M52x2.0 | 18.00 | 44.00 | *46.00 | | 0.14 |
| | BSOD 2" | LMC0.N50.N00.05.0 | 79.50 | M68x2.0 | 18.00 | 60.70 | *74.00 | | 0.22 |
| SMS-Abmessung | SMS DN06 | LMC0.D06.D00.05.0 | 21.70 | M16x1.5 | 12.00 | 10.40 | 19.00 | | 0.02 |
| | SMS DN08 | LMC0.D08.D00.05.0 | 24.50 | M18x1.5 | 12.00 | 12.40 | 22.00 | | 0.02 |
| | SMS DN10 | LMC0.N08.N00.05.0 | 31.00 | M22x1.5 | 12.00 | 15.50 | 27.00 | | 0.03 |
| | SMS DN15 | LMC0.N15.N00.05.0 | 41.30 | M30x2.0 | 13.00 | 23.90 | 36.00 | | 0.05 |
| | SMS DN20 | LMC0.N20.N00.05.0 | 48.30 | M36x2.0 | 13.00 | 28.50 | *42.00 | | 0.09 |
| | SMS DN25 | LMC0.N20.N00.05.0 | 48.30 | M36x2.0 | 13.00 | 28.50 | *42.00 | | 0.09 |
| | SMS DN32 | LMC0.N25.N00.05.0 | 52.00 | M42x2.0 | 15.00 | 36.00 | *46.00 | | 0.09 |
| | SMS DN40 | LMC0.N32.N00.05.0 | 62.00 | M52x2.0 | 15.00 | 44.00 | *56.00 | | 0.14 |

*für Hackenschlüssel



bio-plus® S Sicherungsringe



| | Größe | Artikel-Nr. | | | | | | | | Gewicht [kg] |
|----------------|-------------------|-------------------|--|--|--|--|--|--|------|--------------|
| DIN Abmessung | DIN DN04 | LM02.D06.D00.A2.0 | | | | | | | | 0.00 |
| | DIN DN06 | LM02.D06.D00.A2.0 | | | | | | | | 0.00 |
| | DIN DN08 | LM02.D08.D00.A2.0 | | | | | | | | 0.00 |
| | DIN DN10 | LM02.N08.N00.A2.0 | | | | | | | | 0.00 |
| | DIN DN15 | LM02.N15.N00.A2.0 | | | | | | | | 0.00 |
| | DIN DN20 | LM02.N20.N00.A2.0 | | | | | | | | 0.00 |
| | DIN DN25 | LM02.N25.N00.A2.0 | | | | | | | | 0.00 |
| | DIN DN32 | LM02.N32.N00.A2.0 | | | | | | | | 0.00 |
| DIN DN40 | LM02.N32.N00.A2.0 | | | | | | | | 0.00 | |
| ISO Abmessung | ISO DN06 | LM02.D08.D00.A2.0 | | | | | | | | 0.00 |
| | ISO DN08 | LM02.N08.N00.A2.0 | | | | | | | | 0.00 |
| | ISO DN10 | LM02.N10.N00.A2.0 | | | | | | | | 0.00 |
| | ISO DN15 | LM02.N15.N00.A2.0 | | | | | | | | 0.00 |
| | ISO DN20 | LM02.N20.N00.A2.0 | | | | | | | | 0.00 |
| | ISO DN25 | LM02.N25.N00.A2.0 | | | | | | | | 0.00 |
| | ISO DN32 | LM02.N32.N00.A2.0 | | | | | | | | 0.00 |
| | ISO DN40 | LM02.N40.N00.A2.0 | | | | | | | | 0.00 |
| BSOD-Abmessung | BSOD 1/4" | LM02.D06.D00.A2.0 | | | | | | | | 0.00 |
| | BSOD 3/8" | LM02.D08.D00.A2.0 | | | | | | | | 0.00 |
| | BSOD 1/2" | LM02.N08.N00.A2.0 | | | | | | | | 0.00 |
| | BSOD 3/4" | LM02.N10.N00.A2.0 | | | | | | | | 0.00 |
| | BSOD 1" | LM02.N20.N00.A2.0 | | | | | | | | 0.00 |
| | BSOD 1 1/2" | LM02.N32.N00.A2.0 | | | | | | | | 0.00 |
| | BSOD 2" | LM02.N50.N00.A2.0 | | | | | | | | 0.00 |
| SMS-Abmessung | SMS DN06 | LM02.D06.D00.A2.0 | | | | | | | | 0.00 |
| | SMS DN08 | LM02.D08.D00.A2.0 | | | | | | | | 0.00 |
| | SMS DN10 | LM02.N08.N00.A2.0 | | | | | | | | 0.00 |
| | SMS DN15 | LM02.N15.N00.A2.0 | | | | | | | | 0.00 |
| | SMS DN20 | LM02.N20.N00.A2.0 | | | | | | | | 0.00 |
| | SMS DN25 | LM02.N20.N00.A2.0 | | | | | | | | 0.00 |
| | SMS DN32 | LM02.N25.N00.A2.0 | | | | | | | | 0.00 |
| | SMS DN40 | LM02.N32.N00.A2.0 | | | | | | | | 0.00 |



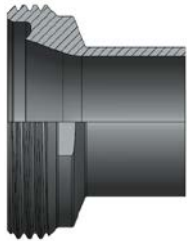
bio-plus® S O-Ringe



| | Größe | Artikel-Nr. EPDM | Artikel-Nr. FEP / Silikonkern | Artikel-Nr. FKM |
|----------------|-------------|------------------|-------------------------------|------------------|
| DIN Abmessung | DIN DN04 | LM01.D04.00.EP.0 | LM01.D04.00.FE.3 | LM01.D04.00.VI.2 |
| | DIN DN06 | LM01.D06.00.EP.0 | LM01.D06.00.FE.3 | LM01.D06.00.VI.2 |
| | DIN DN08 | LM01.D08.00.EP.0 | LM01.D08.00.FE.3 | LM01.D08.00.VI.2 |
| | DIN DN10 | LM01.D10.00.EP.0 | LM01.D10.00.FE.3 | LM01.D10.00.VI.2 |
| | DIN DN15 | LM01.D15.00.EP.0 | LM01.D15.00.FE.3 | LM01.D15.00.VI.2 |
| | DIN DN20 | LM01.D20.00.EP.0 | LM01.D20.00.FE.3 | LM01.D20.00.VI.2 |
| | DIN DN25 | LM01.D25.00.EP.0 | LM01.D25.00.FE.3 | LM01.D25.00.VI.2 |
| | DIN DN32 | LM01.D32.00.EP.0 | LM01.D32.00.FE.3 | LM01.D32.00.VI.2 |
| ISO Abmessung | DIN DN40 | LM01.D40.00.EP.0 | LM01.D40.00.FE.3 | LM01.D40.00.VI.2 |
| | ISO DN06 | LM01.N06.00.EP.0 | LM01.N06.00.FE.3 | LM01.N06.00.VI.2 |
| | ISO DN08 | LM01.N08.00.EP.0 | LM01.N08.00.FE.3 | LM01.N08.00.VI.2 |
| | ISO DN10 | LM01.N10.00.EP.0 | LM01.N10.00.FE.3 | LM01.N10.00.VI.2 |
| | ISO DN15 | LM01.N15.00.EP.0 | LM01.N15.00.FE.3 | LM01.N15.00.VI.2 |
| | ISO DN20 | LM01.N20.00.EP.0 | LM01.N20.00.FE.3 | LM01.N20.00.VI.2 |
| | ISO DN25 | LM01.N25.00.EP.0 | LM01.N25.00.FE.3 | LM01.N25.00.VI.2 |
| | ISO DN32 | LM01.N32.00.EP.0 | LM01.N32.00.FE.3 | LM01.N32.00.VI.2 |
| BSOD-Abmessung | ISO DN40 | LM01.N40.00.EP.0 | LM01.N40.00.FE.3 | LM01.N40.00.VI.2 |
| | BSOD 1/4" | LM01.K02.00.EP.0 | LM01.K02.00.FE.3 | LM01.K02.00.VI.2 |
| | BSOD 3/8" | LM01.K03.00.EP.0 | LM01.K03.00.FE.3 | LM01.K03.00.VI.2 |
| | BSOD 1/2" | LM01.K05.00.EP.0 | LM01.K05.00.FE.3 | LM01.K05.00.VI.2 |
| | BSOD 3/4" | LM01.K07.00.EP.0 | LM01.K07.00.FE.3 | LM01.K07.00.VI.2 |
| | BSOD 1" | LM01.K10.00.EP.0 | LM01.K10.00.FE.3 | LM01.K10.00.VI.2 |
| | BSOD 1 1/2" | LM01.K15.00.EP.0 | LM01.K15.00.FE.3 | LM01.K15.00.VI.2 |
| | BSOD 2" | LM01.K20.00.EP.0 | LM01.K20.00.FE.3 | LM01.K20.00.VI.2 |
| SMS-Abmessung | SMS DN06 | LM01.D06.00.EP.0 | LM01.D06.00.FE.3 | LM01.D06.00.VI.2 |
| | SMS DN08 | LM01.D08.00.EP.0 | LM01.D08.00.FE.3 | LM01.D08.00.VI.2 |
| | SMS DN10 | LM01.D10.00.EP.0 | LM01.D10.00.FE.3 | LM01.D10.00.VI.2 |
| | SMS DN15 | LM01.K07.00.EP.0 | LM01.K07.00.FE.3 | LM01.K07.00.VI.2 |
| | SMS DN20 | LM01.D20.00.EP.0 | LM01.D20.00.FE.3 | LM01.D20.00.VI.2 |
| | SMS DN25 | LM01.K10.00.EP.0 | LM01.K10.00.FE.3 | LM01.K10.00.VI.2 |
| | SMS DN32 | LM01.N25.00.EP.0 | LM01.N25.00.FE.3 | LM01.N25.00.VI.2 |
| | SMS DN40 | LM01.K15.00.EP.0 | LM01.K15.00.FE.3 | LM01.K15.00.VI.2 |



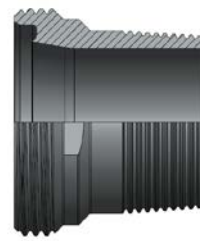
bio-plus® S Erweitertes Produktsortiment



Gewindestutzen
 Reduktion
 Typ LMK0



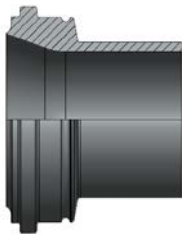
Gewindestutzen
 Erweiterung
 Typ LML0



Gewindestutzen
 mit Rohrgewinde aussen
 (Gasrohrgewinde konisch nach ISO 7-1)
 Typ LMB3



Gewindestutzen
 mit Rohrgewinde innen
 (Gasrohrgewinde zyl. nach ISO 228-1)
 Typ LMB3



Bundstutzen
 Reduktion
 Typ LMI0



Bundstutzen
 Erweiterung
 Typ LMM0



Bundstutzen
 mit Rohrgewinde aussen
 (Gasrohrgewinde konisch nach ISO 7-1)
 Typ LMA3



Bundstutzen
 mit Rohrgewinde innen
 (Gasrohrgewinde zyl. nach ISO 228-1)
 Typ LMA3



Gewinde-
 Endstutzen
 Typ LME0

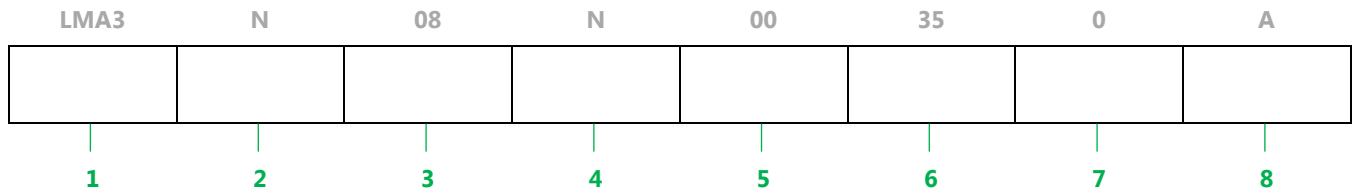


Bund-
 Endstutzen
 Typ LMH0



bio-plus® S Bestellschlüssel

Bestellbeispiel: LMA3 . N 08 . N 00 . 35 . 0 . A



1. Artikel

| | |
|-------------|------------------------------------|
| LMAD | Verschraubung kompl. mit Sicherung |
| LMA3 | Bundstutzen mit Sicherung |
| LMB3 | Gewindestutzen |
| LMF0 | Gewindeblinddeckel |
| LMG1 | Bundblinddeckel mit Sicherung |
| LM01 | O-Ring Materialspezifikation |
| LM02 | Sicherungsringe |

weitere Ausführungen

| | |
|-------------|---------------------------------------|
| LMIO | Bundstutzen Reduktion |
| LMKO | Gewindestutzen Reduktion |
| LMMO | Bundstutzen Erweiterung |
| LML0 | Gewindestutzen Erweiterung |
| LMA3 | Bundstutzen mit Rohrgewinde aussen |
| LMB3 | Gewindestutzen mit Rohrgewinde aussen |
| LMA3 | Bundstutzen mit Gewinde innen |
| LMB3 | Gewindestutzen mit Gewinde innen |
| LMH0 | Bundendstutzen |
| LME0 | Gewindeendstutzen |

2. Norm

| | |
|----------|----------------|
| D | DIN Abmessung |
| N | ISO Abmessung |
| K | BSOD Abmessung |
| E | SMS Abmessung |

3. Nennweite (siehe Tabelle 15/1)

| | |
|-----------|----------------|
| 02 | Nennweite DN02 |
| 03 | Nennweite DN03 |
| 04 | Nennweite DN04 |
| 06 | Nennweite DN06 |
| 08 | Nennweite DN08 |
| 10 | Nennweite DN10 |
| 15 | Nennweite DN15 |
| 20 | Nennweite DN20 |
| 25 | Nennweite DN25 |
| 32 | Nennweite DN32 |
| 40 | Nennweite DN40 |



4. Norm

| | |
|----------|----------------------------|
| D | DIN Abmessung |
| N | ISO Abmessung |
| K | BSOD Abmessung |
| E | SMS Abmessung |
| R | Konisches Aussengewinde |
| G | Zylindrisches Innengewinde |

5. Nennweite (siehe Tabelle 15/1)

| | |
|-----------|----------------------------|
| 00 | Standard Schweissanschluss |
| 02 | Nennweite DN02 |
| 03 | Nennweite DN03 |
| 04 | Nennweite DN04 |
| 05 | Nennweite DN05 |
| 06 | Nennweite DN06 |
| 07 | Nennweite DN07 |
| 08 | Nennweite DN08 |
| 10 | Nennweite DN10 |
| 15 | Nennweite DN15 |
| 20 | Nennweite DN20 |
| 25 | Nennweite DN25 |
| 32 | Nennweite DN32 |
| 40 | Nennweite DN40 |

6. Material

| | |
|-----------|--|
| 16 | 1.4404 (316L) |
| 35 | 1.4435 BN2 |
| 39 | 1.4539 |
| 22 | 2.4602 (Hastelloy C22) |
| 05 | 1.4305 |
| 01 | 1.4301 |
| A2 | A2 – Befestigungs-/ Sicherungselemente |

7. Dichtungsmaterial

| | |
|----------|-------------------|
| 0 | EPDM |
| 1 | Silikon |
| 2 | FKM |
| 3 | FEP (Silikonkern) |
| 4 | PEEK |
| 5 | FFKM |

8. Oberfläche

| | |
|----------|--|
| A | Innenoberfläche Ra 0.8; elektropoliert |
| B | Innenoberfläche Ra 0.8; blank |
| C | Innenoberfläche Ra 0.6; elektropoliert |
| D | Innenoberfläche Ra 0.6; blank |
| E | Innenoberfläche Ra 0.4; elektropoliert |
| F | Innenoberfläche Ra 0.4; blank |



bio-plus® S Rohranschluss-Tabelle 15/1

| Nennweite | DIN 11866 | | | SMS Abmessung | Rohrgewinde Aussen konisch nach DIN 2999 | Rohrgewinde Innen zylindrisch nach ISO 228-1 |
|-----------|---------------|---------------|----------------|------------------|--|--|
| | Reihe A (ISO) | Reihe B (DIN) | Reihe C (BSOD) | | | |
| 02 | | | Ø6.35x0.89 | | R ¼" | G ¼" |
| 03 | | | Ø9.53x0.89 | | R 3/8" | G 3/8" |
| 04 | | Ø6.00x1.00 | | | | |
| 05 | | | Ø12.70x1.65 | | R ½" | G ½" |
| 06 | Ø10.20x1.60 | Ø8.00x1.00 | | Ø8.00x1.00 | | |
| 07 | | | Ø19.05x1.65 | | R ¾" | G ¾" |
| 08 | Ø13.50x1.60 | Ø10.00x1.00 | | Ø10.00x1.00 | | |
| 10 | Ø17.20x1.60 | Ø13.00x1.50 | Ø25.40x1.65 | Ø12.00x1.00 | R 1" | G 1" |
| 15 | Ø21.30x1.60 | Ø19.00x1.50 | Ø38.10x1.65 | Ø18.00x1.00 | R 1 ½" | G 1 ½" |
| 20 | Ø26.90x1.60 | Ø23.00x1.50 | Ø50.80x1.65 | Ø22.00x1.00 | R 2" | G 2" |
| 25 | Ø33.70x1.60 | Ø29.00x1.50 | | Ø25.00x1.20 | R 2 ½" | G 2 ½" |
| 30 | | | Ø76.20x1.65 | | R 3" | G 3" |
| 32 | Ø42.40x2.00 | Ø35.00x1.50 | | Ø32.00x1.20 | | |
| 40 | Ø48.30x2.00 | Ø41.00x1.50 | Ø101.60x2.11 | Ø38.00x1.20 | | |

Hinweis: Es gilt jeweils die aktuelle im Internet unter www.LM-Biotech.ch abrufbare Version. Maß- und Konstruktionsänderungen vorbehalten. Revisionsdatum: 01/15