

1.2.1 STERILE-CONNECTION BIOPLUS-S

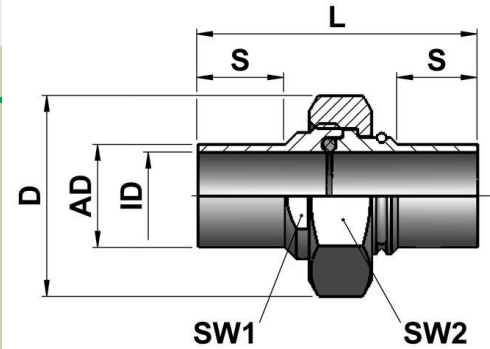
TECHNICAL DATA

Standard sizes	<ul style="list-style-type: none"> • DIN DN04 - DIN DN40 • ISO DN06 - ISO DN40 • BSOD 1/2" - 2"
Material	<p>Medium contacted:</p> <ul style="list-style-type: none"> • Ws. 14435 BN2 (316L) • Special materials e.g. Hastelloy, Titan, 1.4539 etc. on request <p>Non medium contacted:</p> <ul style="list-style-type: none"> • 1.4305 or equivalent
Gasket	<p>Standard gaskets:</p> <ul style="list-style-type: none"> • EPDM • PTFE / Silicone / Viton on order • Special materials on request
Surface quality	<p>Medium contacted:</p> <ul style="list-style-type: none"> • electro polished Ra < 0,6µm • other qualities on request <p>Non medium contacted:</p> <ul style="list-style-type: none"> • electro polished Ra > 1,6µm
Tracability	Product contacted material marked with material no. and heat no.
Media	Gases and liquids
Operating temperature	-10°C to +140°C See temperature resistance chart of gaskets
Operating pressure	16 bar at room temperature
Operating temperature gaskets	<ul style="list-style-type: none"> • EPDM: -40°C bis +90°C, short time up +140°C • PTFE: -60°C bis +160°C, short time up +205°C
Applicable standards	<p>Pipe dimensions:</p> <ul style="list-style-type: none"> • DIN (DIN11866 series A) • ISO (DIN11866 series B) • BSOD (DIN11866 series C)
Certification	<p>Medium contacted:</p> <ul style="list-style-type: none"> • EN 10204 / 3.1 <p>Gaskets:</p> <ul style="list-style-type: none"> • FDA-conform, USP-Class VI, TSE-free

Note: Actual data to collect at www.LM-Biotech.ch. Specifications and design are subject to change without notice. Date of revision: 07/14



1.2.1 STERILE-CONNECTION BIOPLUS-S



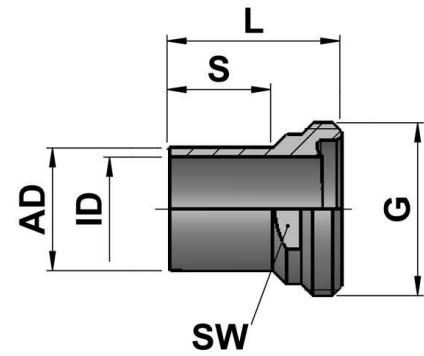
1.2.1.0 STERILE CONNECTION BIOPLUS COMPLETE

Orifice	Article no.	Pipe-AD [mm]	Pipe-ID [mm]	Length L [mm]	Weight [kg]								
DIN DN04	0200 1004 0000 0301	6.00	4.00	18.00	0.04								
DIN DN06	0200 1006 0000 0301	8.00	6.00	18.00	0.04								
DIN DN08	0200 1008 0000 0301	10.00	8.00	18.00	0.05								
DIN DN10	0200 1010 0001 0301	13.00	10.00	18.00	0.12								
DIN DN15	0200 1015 0000 0301	19.00	16.00	18.00	0.12								
DIN DN20	0200 1020 0000 0301	23.00	20.00	18.00	0.19								
DIN DN25	0200 1025 0000 0301	29.00	26.00	18.00	0.76								
DIN DN32	0200 1032 0000 0301	35.00	32.00	18.00	0.37								
DIN DN40	0200 1040 0000 0301	41.00	38.00	18.00	0.35								
ISO DN06	0200 2006 0000 0301	10.20	7.00	18.00	0.05								
ISO DN08	0200 2008 0000 0301	13.50	10.30	18.00	0.08								
ISO DN10	0200 2010 0000 0301	17.20	14.00	18.00	0.11								
ISO DN15	0200 2015 0000 0301	21.30	18.10	18.00	0.13								
ISO DN20	0200 2020 0000 0301	26.90	23.90	18.00	0.18								
ISO DN25	0200 2025 0000 0301	33.70	29.70	18.00	0.24								
ISO DN32	0200 2032 0000 0301	44.30	38.40	18.00	0.35								
ISO DN40	0200 2040 0000 0301	48.30	44.30	18.00	0.40								
OD 1/2"	0200 3005 0000 0301	12.70	9.40	18.00	0.08								
OD 3/4"	0200 3007 0000 0301	19.05	15.75	18.00	0.11								
OD 1"	0200 3010 0000 0301	25.40	22.10	18.00	0.19								
OD 1 1/2"	0200 3015 0000 0301	38.10	34.80	18.00	0.36								
OD 2"	0200 3020 0000 0301	50.80	47.50	18.00	0.52								

Note: Actual data to collect at www.LM-Biotech.ch. Specifications and design are subject to change without notice. Date of revision: 07/14



1.2.1 STERILE-CONNECTION BIOPLUS-S



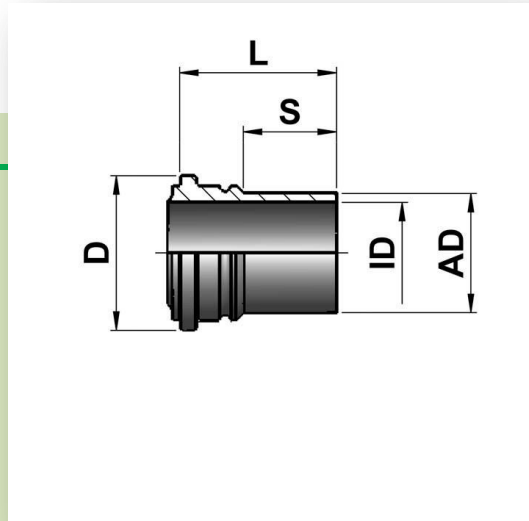
1.2.1.1 STERILE FERRULE FEMALE BIOPLUS-S

Orifice	Article no.	Pipe-AD [mm]	Pipe-ID [mm]	Length L [mm]	Length S [mm]	Thread G [mm]	Weight [kg]				
DIN DN04	0201 1004 0000 0301	6.00	4.00	28.00	18.00	M16x1.5	0.01				
DIN DN06	0201 1006 0000 0301	8.00	6.00	28.00	18.00	M16x1.5	0.01				
DIN DN08	0201 1008 0000 0301	10.00	8.00	29.00	18.00	M18x1.5	0.01				
DIN DN10	0201 1010 0001 0301	13.00	10.00	30.00	18.00	M22x1.5	0.03				
DIN DN15	0201 1015 0000 0301	19.00	16.00	30.00	18.00	M30x2	0.04				
DIN DN20	0201 1020 0000 0301	23.00	20.00	32.00	18.00	M36x2	0.06				
DIN DN25	0201 1025 0000 0301	29.00	26.00	32.00	18.00	M42x2	0.07				
DIN DN32	0201 1032 0000 0301	35.00	32.00	35.00	18.00	M52x2	0.15				
DIN DN40	0201 1040 0000 0301	41.00	38.00	34.00	18.00	M52x2	0.12				
ISO DN06	0201 2006 0000 0301	10.20	7.00	29.00	18.00	M18x1.5	0.03				
ISO DN08	0201 2008 0000 0301	13.50	10.30	30.00	18.00	M22x1.5	0.03				
ISO DN10	0201 2010 0000 0301	17.20	14.00	30.00	18.00	M26x1.5	0.04				
ISO DN15	0201 2015 0000 0301	21.30	18.10	30.00	18.00	M30x2	0.04				
ISO DN20	0201 2020 0000 0301	26.90	23.90	30.00	18.00	M36x2	0.05				
ISO DN25	0201 2025 0000 0301	33.70	29.70	32.00	18.00	M42x2	0.08				
ISO DN32	0201 2032 0000 0301	44.30	38.40	34.00	18.00	M52x2	0.12				
ISO DN40	0201 2040 0000 0301	48.30	44.30	34.00	18.00	M56x2	0.13				
OD 1/2"	0201 3005 0000 0301	12.70	9.40	28.00	18.00	M22x1.5	0.03				
OD 3/4"	0201 3007 0000 0301	19.05	15.75	30.00	18.00	M26x1.5	0.04				
OD 1"	0201 3010 0000 0301	25.40	22.10	30.00	18.00	M36x2	0.05				
OD 1 1/2"	0201 3015 0000 0301	38.10	34.80	32.00	18.00	M52x2	0.13				
OD 2"	0201 3020 0000 0301	50.80	47.50	34.00	18.00	M68x2	0.15				

Note: Actual data to collect at www.LM-Biotech.ch. Specifications and design are subject to change without notice. Date of revision: 07/14



1.2.1 STERILE-CONNECTION BIOPLUS-S



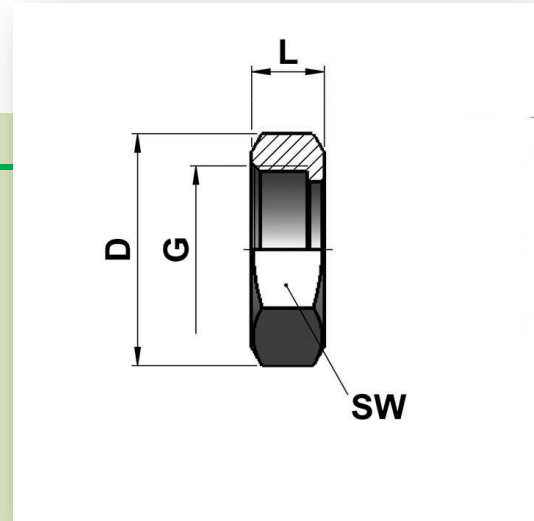
1.2.1.2 STERILE FERRULE MALE BIOPLUS-S

Orifice	Article no.	Pipe-AD [mm]	Pipe-ID [mm]	Length L [mm]	Length S [mm]	Weight [kg]						
DIN DN04	0202 1004 0000 0301	6.00	4.00	27.50	18.00	0.01						
DIN DN06	0202 1006 0000 0301	8.00	6.00	27.50	18.00	0.01						
DIN DN08	0202 1008 0000 0301	10.00	8.00	27.50	18.00	0.15						
DIN DN10	0202 1010 0001 0301	13.00	10.00	28.00	18.00	0.2						
DIN DN15	0202 1015 0000 0301	19.00	16.00	30.00	18.00	0.03						
DIN DN20	0202 1020 0000 0301	23.00	20.00	30.00	18.00	0.35						
DIN DN25	0202 1025 0000 0301	29.00	26.00	28.00	18.00	0.60						
DIN DN32	0202 1032 0000 0301	35.00	32.00	33.00	18.00	0.12						
DIN DN40	0202 1040 0000 0301	41.00	38.00	31.00	18.00	0.85						
ISO DN06	0202 2006 0000 0301	10.20	7.00	27.00	18.00	0.01						
ISO DN08	0202 2008 0000 0301	13.50	10.30	28.00	18.00	0.02						
ISO DN10	0202 2010 0000 0301	17.20	14.00	28.00	18.00	0.03						
ISO DN15	0202 2015 0000 0301	21.30	18.10	28.00	18.00	0.35						
ISO DN20	0202 2020 0000 0301	26.90	23.90	28.00	18.00	0.04						
ISO DN25	0202 2025 0000 0301	33.70	29.70	28.00	18.00	0.06						
ISO DN32	0202 2032 0000 0301	44.30	38.40	33.30	18.00	0.09						
ISO DN40	0202 2040 0000 0301	48.30	44.30	30.00	18.00	0.10						
OD 1/2"	0202 3005 0000 0301	12.70	9.40	27.00	18.00	0.02						
OD 3/4"	0202 3007 0000 0301	19.05	15.75	34.90	18.00	0.03						
OD 1"	0202 3010 0000 0301	25.40	22.10	36.50	18.00	0.05						
OD 1 1/2"	0202 3015 0000 0301	38.10	34.80	32.40	18.00	0.09						
OD 2"	0202 3020 0000 0301	50.80	47.50	47.50	18.00	0.15						

Note: Actual data to collect at www.LM-Biotech.ch. Specifications and design are subject to change without notice. Date of revision: 07/14



1.2.1 STERILE-CONNECTION BIOPLUS-S



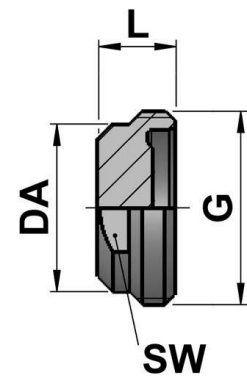
1.2.1.3 UNION NUT BIOPLUS

Orifice	Article no.	Length L [mm]	Thread G [mm]	Weight [kg]									
DIN DN04	0203 1004 0000 0301		0										
DIN DN06	0203 1006 0000 0301	12.00	M16x1.5	0.02									
DIN DN08	0203 1008 0000 0301	12.00	M18x1.5	0.02									
DIN DN10	0203 1010 0000 0301	13.00	M22x1.5	0.03									
DIN DN15	0203 1015 0000 0301	13.00	M30x2	0.05									
DIN DN20	0203 1020 0000 0301	13.00	M36x2	0.09									
DIN DN25	0203 1025 0000 0301	15.00	M42x2	0.10									
DIN DN32	0203 1032 0000 0301	18.00	M52x2	0.10									
DIN DN40	0203 1040 0000 0301	18.00	M52x2	0.14									
ISO DN06	0203 2006 0000 0301	12.00	M18x1.5	0.02									
ISO DN08	0203 2008 0000 0301	12.00	M22x1.5	0.03									
ISO DN10	0203 2010 0000 0301	13.00	M26x1.5	0.04									
ISO DN15	0203 2015 0000 0301	13.00	M30x2	0.05									
ISO DN20	0203 2020 0000 0301	13.00	M36x2	0.09									
ISO DN25	0203 2025 0000 0301	15.00	M42x2	0.10									
ISO DN32	0203 2032 0000 0301	18.00	M52x2	0.14									
ISO DN40	0203 2040 0000 0301	18.00	M56x2	0.17									
OD 1/2"	0203 3005 0000 0301	12.00	M22x1.5	0.03									
OD 3/4"	0203 3007 0000 0301	13.00	M26x1.5	0.04									
OD 1"	0203 3010 0000 0301	13.00	M36x2	0.09									
OD 1 1/2"	0203 3015 0000 0301	18.00	M52x2	0.14									
OD 2"	0203 3020 0000 0301	18.00	M68x2	0.22									

Note: Actual data to collect at www.LM-Biotech.ch. Specifications and design are subject to change without notice. Date of revision: 07/14



1.2.1 STERILE-CONNECTION BIOPLUS-S



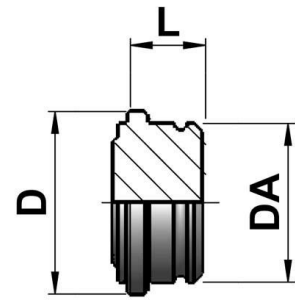
1.2.1.4 STERILE FEMALE END CAP BIOPLUS-S

Orifice	Article no.	Length L [mm]	Thread G [mm]	Wrench SW [mm]									
DIN DN04	0204 1004 0000 0301	12.00	M16x1.5	12.00									
DIN DN06	0204 1006 0000 0301	12.00	M16x1.5	12.00									
DIN DN08	0204 1008 0000 0301	12.00	M18x1.5	14.00									
DIN DN10	0204 1010 0000 0301	12.00	M22x1.5	17.00									
DIN DN15	0204 1015 0000 0301	10.00	M30x2	22.00									
DIN DN20	0204 1020 0000 0301	15.00	M36x2	30.00									
DIN DN25	0204 1025 0000 0301	15.00	M42x2	36.00									
DIN DN32	0204 1032 0000 0301	14.00	M52x2	46.00									
DIN DN40	0204 1040 0000 0301	14.00	M52x2	46.00									
ISO DN06	0204 2006 0000 0301	11.00	M18x1.5	14.00									
ISO DN08	0204 2008 0000 0301	13.00	M22x1.5	17.00									
ISO DN10	0204 2010 0000 0301	13.00	M26x1.5	19.00									
ISO DN15	0204 2015 0000 0301	12.50	M30x2	22.00									
ISO DN20	0204 2020 0000 0301	15.00	M36x2	30.00									
ISO DN25	0204 2025 0000 0301	15.00	M42x2	36.00									
ISO DN32	0204 2032 0000 0301	16.00	M52x2	46.00									
ISO DN40	0204 2040 0000 0301	16.00	M56x2	50.00									
OD 1/2"	0204 3005 0000 0301	12.00	M22x1.5	17.00									
OD 3/4"	0204 3007 0000 0301	13.00	M26x1.5	19.00									
OD 1"	0204 3010 0000 0301	12.50	M36x2	30.00									
OD 1 1/2"	0204 3015 0000 0301	18.00	M52x2	41.00									
OD 2"	0204 3020 0000 0301	20.00	M68x2	60.00									

Note: Actual data to collect at www.LM-Biotech.ch. Specifications and design are subject to change without notice. Date of revision: 07/14



1.2.1 STERILE-CONNECTION BIOPLUS-S



1.2.1.5 STERILE MALE END CAP BIOPLUS-S

Orifice	Article no.	Length L [mm]	Diam. D [mm]									
DIN DN04	0205 1004 0000 0301	11.00	13.80									
DIN DN06	0205 1006 0000 0301	11.00	13.80									
DIN DN08	0205 1008 0000 0301	11.00	15.80									
DIN DN10	0205 1010 0000 0301	11.00	19.80									
DIN DN15	0205 1015 0000 0301	11.00	27.40									
DIN DN20	0205 1020 0000 0301	11.00	33.70									
DIN DN25	0205 1025 0000 0301	11.00	39.30									
DIN DN32	0205 1032 0000 0301	14.00	49.00									
DIN DN40	0205 1040 0000 0301	14.00	49.00									
ISO DN06	0205 2006 0000 0301	11.00	15.80									
ISO DN08	0205 2008 0000 0301	11.00	19.80									
ISO DN10	0205 2010 0000 0301	11.00	24.20									
ISO DN15	0205 2015 0000 0301	11.00	27.40									
ISO DN20	0205 2020 0000 0301	11.00	33.70									
ISO DN25	0205 2025 0000 0301	11.00	39.30									
ISO DN32	0205 2032 0000 0301	12.00	49.00									
ISO DN40	0205 2040 0000 0301	12.00	53.70									
OD 1/2"	0205 3005 0000 0301	10.00	19.80									
OD 3/4"	0205 3007 0000 0301	10.00	24.20									
OD 1"	0205 3010 0000 0301	10.00	33.70									
OD 1 1/2"	0205 3015 0000 0301	12.00	49.00									
OD 2"	0205 3020 0000 0301	14.00	65.20									

Note: Actual data to collect at www.LM-Biotech.ch. Specifications and design are subject to change without notice. Date of revision: 07/14



1.2.1 STERILE-CONNECTION BIOPLUS-S



1.2.1.6 O-RING

Size	Article no. EPDM (EL-Code)	Article no. EPDM (LM-Code)	Article no. PTFE (EL-Code)	Article no. PTFE (LM-Code)	Article no. Silicone (EL-Code)	Article no. Silicone (LM-Code)
DIN DN04	0291 1004 0000 1000	LM01.D04.00.EP.0	0291 1004 0000 1010	LM01.D04.00.FE.3	0291 1004 0000 1030	LM01.D04.00.SI.1
DIN DN06	0291 1006 0000 1000	LM01.D06.00.EP.0	0291 1006 0000 1010	LM01.D06.00.FE.3	0291 1006 0000 1030	LM01.D06.00.SI.1
DIN DN08	0291 1008 0000 1000	LM01.D08.00.EP.0	0291 1008 0000 1010	LM01.D08.00.FE.3	0291 1008 0000 1030	LM01.D08.00.SI.1
DIN DN10	0291 1010 0000 1000	LM01.D10.00.EP.0	0291 1010 0000 1010	LM01.D10.00.FE.3	0291 1010 0000 1030	LM01.D10.00.SI.1
DIN DN15	0291 1015 0000 1000	LM01.D15.00.EP.0	0291 1015 0000 1010	LM01.D15.00.FE.3	0291 1015 0000 1030	LM01.D15.00.SI.1
DIN DN20	0291 1020 0000 1000	LM01.D20.00.EP.0	0291 1020 0000 1010	LM01.D20.00.FE.3	0291 1020 0000 1030	LM01.D20.00.SI.1
DIN DN25	0291 1025 0000 1000	LM01.D25.00.EP.0	0291 1025 0000 1010	LM01.D25.00.FE.3	0291 1025 0000 1030	LM01.D25.00.SI.1
DIN DN32	0291 1032 0000 1000	LM01.D32.00.EP.0	0291 1032 0000 1010	LM01.D32.00.FE.3	0291 1032 0000 1030	LM01.D32.00.SI.1
DIN DN40	0291 1040 0000 1000	LM01.D40.00.EP.0	0291 1040 0000 1010	LM01.D40.00.FE.3	0291 1040 0000 1030	LM01.D40.00.SI.1
DIN DN50	0291 1050 0000 1000	LM01.D50.00.EP.0	0291 1050 0000 1010	LM01.D50.00.FE.3	0291 1050 0000 1030	LM01.D50.00.SI.1
DIN DN65	0291 1065 0000 1000	LM01.D65.00.EP.0	0291 1065 0000 1010	LM01.D65.00.FE.3	0291 1065 0000 1030	LM01.D65.00.SI.1
DIN DN80	0291 1080 0000 1000	LM01.D80.00.EP.0	0291 1080 0000 1010	LM01.D80.00.FE.3	0291 1080 0000 1030	LM01.D80.00.SI.1
DIN DN100	0291 1100 0000 1000	LM01.D100.00.EP.0	0291 1100 0000 1010	LM01.D100.00.FE.3	0291 1100 0000 1030	LM01.D100.00.SI.1
ISO DN06	0291 2006 0000 1000	LM01.N06.00.EP.0	0291 2006 0000 1010	LM01.N06.00.FE.3	0291 2006 0000 1030	LM01.N06.00.SI.1
ISO DN08	0291 2008 0000 1000	LM01.N08.00.EP.0	0291 2008 0000 1010	LM01.N08.00.FE.3	0291 2008 0000 1030	LM01.N08.00.SI.1
ISO DN10	0291 2010 0000 1000	LM01.N10.00.EP.0	0291 2010 0000 1010	LM01.N10.00.FE.3	0291 2010 0000 1030	LM01.N10.00.SI.1
ISO DN15	0291 2015 0000 1000	LM01.N15.00.EP.0	0291 2015 0000 1010	LM01.N15.00.FE.3	0291 2015 0000 1030	LM01.N15.00.SI.1
ISO DN20	0291 2020 0000 1000	LM01.N20.00.EP.0	0291 2020 0000 1010	LM01.N20.00.FE.3	0291 2020 0000 1030	LM01.N20.00.SI.1
ISO DN25	0291 2025 0000 1000	LM01.N25.00.EP.0	0291 2025 0000 1010	LM01.N25.00.FE.3	0291 2025 0000 1030	LM01.N25.00.SI.1
ISO DN32	0291 2032 0000 1000	LM01.N32.00.EP.0	0291 2032 0000 1010	LM01.N32.00.FE.3	0291 2032 0000 1030	LM01.N32.00.SI.1
ISO DN40	0291 2040 0000 1000	LM01.N40.00.EP.0	0291 2040 0000 1010	LM01.N40.00.FE.3	0291 2040 0000 1030	LM01.N40.00.SI.1
ISO DN50	0291 2050 0000 1000	LM01.N50.00.EP.0	0291 2050 0000 1010	LM01.N50.00.FE.3	0291 2050 0000 1030	LM01.N50.00.SI.1
ISO DN65	0291 2065 0000 1000	LM01.N65.00.EP.0	0291 2065 0000 1010	LM01.N65.00.FE.3	0291 2065 0000 1030	LM01.N65.00.SI.1
ISO DN80	0291 2080 0000 1000	LM01.N80.00.EP.0	0291 2080 0000 1010	LM01.N80.00.FE.3	0291 2080 0000 1030	LM01.N80.00.SI.1
ISO DN100	0291 2100 0000 1000	LM01.N100.00.EP.0	0291 2100 0000 1010	LM01.N100.00.FE.3	0291 2100 0000 1030	LM01.N100.00.SI.1
OD 1/2"	0291 3005 0000 1000	LM01.K05.00.EP.0	0291 3005 0000 1010	LM01.K05.00.FE.3	0291 3005 0000 1030	LM01.K05.00.SI.1
OD 3/4"	0291 3007 0000 1000	LM01.K07.00.EP.0	0291 3007 0000 1010	LM01.K07.00.FE.3	0291 3007 0000 1030	LM01.K07.00.SI.1
OD 1"	0291 3010 0000 1000	LM01.K10.00.EP.0	0291 3010 0000 1010	LM01.K10.00.FE.3	0291 3010 0000 1030	LM01.K10.00.SI.1
OD 1 1/2"	0291 3015 0000 1000	LM01.K15.00.EP.0	0291 3015 0000 1010	LM01.K15.00.FE.3	0291 3015 0000 1030	LM01.K15.00.SI.1
OD 2"	0291 3020 0000 1000	LM01.K20.00.EP.0	0291 3020 0000 1010	LM01.K20.00.FE.3	0291 3020 0000 1030	LM01.K20.00.SI.1
OD 3"	0291 3030 0000 1000	LM01.K30.00.EP.0	0291 3030 0000 1010	LM01.K30.00.FE.3	0291 3030 0000 1030	LM01.K30.00.SI.1
OD 4"	0291 3040 0000 1000	LM01.K40.00.EP.0	0291 3040 0000 1010	LM01.K40.00.FE.3	0291 3040 0000 1030	LM01.K40.00.SI.1

Note: Actual data to collect at www.LM-Biotech.ch. Specifications and design are subject to change without notice. Date of revision: 07/14



1.2.1 STERILE-CONNECTION BIOPLUS-S

1.2.1.7 SECURITY RING

Orifice	Article no.										
DIN DN04	0292 1004 0000 0128										
DIN DN06	0292 1006 0000 0128										
DIN DN08	0292 1008 0000 0128										
DIN DN10	0292 1010 0000 0128										
DIN DN15	0292 1015 0000 0128										
DIN DN20	0292 1020 0000 0128										
DIN DN25	0292 1025 0000 0128										
DIN DN32	0292 1032 0000 0128										
DIN DN40	0292 1040 0000 0128										
ISO DN06	0292 2006 0000 0128										
ISO DN08	0292 2008 0000 0128										
ISO DN10	0292 2010 0000 0128										
ISO DN15	0292 2015 0000 0128										
ISO DN20	0292 2020 0000 0128										
ISO DN25	0292 2025 0000 0128										
ISO DN32	0292 2032 0000 0128										
ISO DN40	0292 2040 0000 0128										
OD 1/2"	0292 3005 0000 0128										
OD 3/4"	0292 3007 0000 0128										
OD 1"	0292 3010 0000 0128										
OD 1 1/2"	0292 3015 0000 0128										
OD 2"	0292 3020 0000 0128										

Note: Actual data to collect at www.LM-Biotech.ch. Specifications and design are subject to change without notice. Date of revision: 07/14