

## 1.2.2 STERILE FLANGE CONNECTION BIOPLUS-F

### TECHNICAL DATA

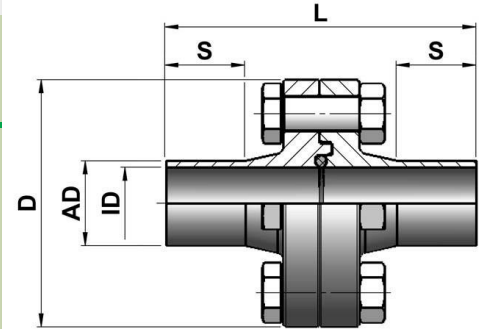
<b>Standard sizes</b>	<ul style="list-style-type: none"> <li>• DIN DN04 - DIN DN40</li> <li>• ISO DN06 - ISO DN40</li> <li>• BSOD 1/2" - 2"</li> </ul>
<b>Material</b>	<p>Medium contacted:</p> <ul style="list-style-type: none"> <li>• Ws. 14435 BN2 (316L)</li> <li>• Special materials e.g. Hastelloy, Titan, 1.4539 etc. on request</li> </ul> <p>Non medium contacted:</p> <ul style="list-style-type: none"> <li>• 1.4305 or equivalent</li> </ul>
<b>Gasket</b>	<p>Standard gaskets:</p> <ul style="list-style-type: none"> <li>• EPDM</li> <li>• PTFE on order</li> <li>• Special materials on request</li> </ul>
<b>Surface quality</b>	<p>Medium contacted:</p> <ul style="list-style-type: none"> <li>• electro polished Ra &lt; 0,6µm</li> <li>• other qualities on request</li> </ul> <p>Non medium contacted:</p> <ul style="list-style-type: none"> <li>• electro polished Ra &gt; 1,6µm</li> </ul>
<b>Tracability</b>	Product contacted material marked with material no. and heat no.
<b>Media</b>	Gases and liquids
<b>Operating temperature</b>	-10°C to +140°C See temperature resistance chart of gaskets
<b>Operating pressure</b>	16 bar at room temperature
<b>Operating temperature gaskets</b>	<ul style="list-style-type: none"> <li>• EPDM: -40°C to +90°C, short time up +140°C</li> <li>• PTFE: -60°C to +160°C, short time up +205°C</li> </ul>
<b>Applicable standards</b>	<p>Pipe dimensions:</p> <ul style="list-style-type: none"> <li>• DIN (DIN11866 series A)</li> <li>• ISO (DIN11866 series B)</li> <li>• BSOD (DIN11866 series C)</li> </ul>
<b>Certification</b>	<p>Medium contacted:</p> <ul style="list-style-type: none"> <li>• EN 10204 / 3.1</li> </ul> <p>Gaskets:</p> <ul style="list-style-type: none"> <li>• FDA-conform, USP-Class VI, TSE-free</li> </ul>

1.2.2 STERILE FLANGE CONNECTION BIOPLUS-F

Note: Actual data to collect at www.LM-Biotech.ch. Specifications and design are subject to change without notice. Date of revision: 07/14



## 1.2.2 STERILE FLANGE CONNECTION BIOPLUS-F



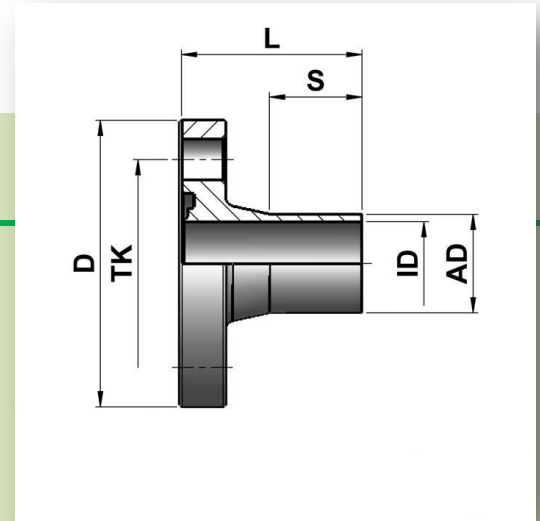
### 1.2.2.0 STERILE FLANGE CONNECTION BIOPLUS COMPLETE

Size	Article no.	Pipe-AD [mm]	Pipe-ID [mm]	Length L [mm]	Length S [mm]	Diam. D [mm]	Length TK [mm]	Screw [Pcs.]	Weight [kg]		
DIN DN06	0210 1006 0000 0301										
DIN DN08	0210 1008 0000 0301										
DIN DN10	0210 1010 0000 0301	13.00	10.00	78.50	20.00	54.00	37.00	4	0.32		
DIN DN15	0210 1015 0000 0301	19.00	16.00	78.50	20.00	59.00	42.00	4	0.39		
DIN DN20	0210 1020 0000 0301	23.00	20.00	78.50	20.00	64.00	47.00	4	0.46		
DIN DN25	0210 1025 0000 0301	29.00	26.00	78.50	20.00	70.00	53.00	4	0.53		
DIN DN32	0210 1032 0000 0301	35.00	32.00	88.00	25.00	76.00	59.00	4	0.70		
DIN DN40	0210 1040 0000 0301	41.00	38.00	88.00	25.00	82.00	65.00	4	0.71		
DIN DN50	0210 1050 0000 0301	53.00	50.00	88.00	25.00	94.00	77.00	4	0.87		
DIN DN65	0210 1065 0000 0301	70.00	66.00	88.00	25.00	113.00	95.00	8	1.18		
DIN DN80	0210 1080 0000 0301	85.00	81.00	112.00	35.00	133.00	112.00	8	1.95		
DIN DN100	0210 1100 0000 0301	104.00	100.00	115.00	30.00	159.00	137.00	8	2.75		
ISO DN06	0210 2006 0000 0301	10.20	7.00	78.00	20.00	50.00	33.00	4			
ISO DN08	0210 2008 0000 0301	13.50	10.30	78.00	20.00	54.00	37.00	4	0.32		
ISO DN10	0210 2010 0000 0301	17.20	14.00	78.00	20.00	59.00	42.00	4	0.39		
ISO DN15	0210 2015 0000 0301	21.30	18.10	78.00	20.00	62.00	45.00	4	0.43		
ISO DN20	0210 2020 0000 0301	26.90	23.70	78.00	20.00	69.00	52.00	4	0.53		
ISO DN25	0210 2025 0000 0301	33.70	29.70	88.00	25.00	74.00	57.00	4	0.63		
ISO DN32	0210 2032 0000 0301	42.40	38.40	88.00	25.00	82.00	65.00	4	0.74		
ISO DN40	0210 2040 0000 0301	48.30	44.30	88.00	25.00	88.00	71.00	4	0.83		
ISO DN50	0210 2050 0000 0301	60.30	56.30	88.00	25.00	103.00	85.00	4	1.07		
ISO DN65	0210 2065 0000 0301	76.10	72.10	95.00	25.00	125.00	104.00	8	1.66		
ISO DN80	0210 2080 0000 0301	88.90	84.30	111.00	29.80	137.00	116.00	8	2.14		
ISO DN100	0210 2100 0000 0301	114.30	109.70	115.00	29.80	168.00	146.00	8	2.77		
OD 1/2"	0210 3005 0000 0301	12.70	9.40	78.50	20.00	59.00	42.00	4	0.17		
OD 3/4"	0210 3007 0000 0301	19.05	15.750	78.50	20.00	62.00	45.00	4	0.39		
OD 1"	0210 3010 0000 0301	25.40	22.10	78.50	20.00	66.00	49.00	4	0.49		
OD 1 1/2"	0210 3015 0000 0301	38.10	34.80	88.00	25.00	79.00	62.00	4	0.67		
OD 2"	0210 3020 0000 0301	50.80	47.50	88.00	25.00	92.00	75.00	4	0.85		
OD 3"	0210 3030 0000 0301	76.20	72.90	88.00	25.00	125.00	104.00	8	1.64		
OD 4"	0210 3040 0000 0301	101.60	97.38	115.00	30.00	157.00	135.00	8	3.03		

Note: Actual data to collect at [www.LM-Biotech.ch](http://www.LM-Biotech.ch). Specifications and design are subject to change without notice. Date of revision: 07/14



## 1.2.2 STERILE FLANGE CONNECTION BIOPLUS-F



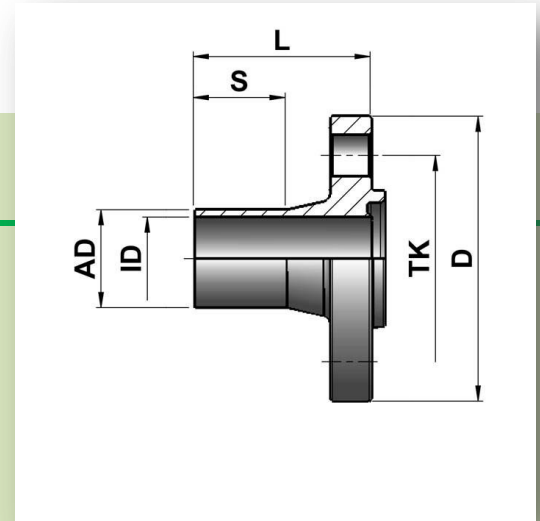
### 1.2.2.1 STERILE FLANGE UNION FEMALE

Size	Article no.	Pipe-AD [mm]	Pipe-ID [mm]	Length L [mm]	Length S [mm]	Diam. D [mm]	Length TK [mm]	Screw [Pcs.]	Weight [kg]		
DIN DN06	0211 1006 0000 0301										
DIN DN08	0211 1008 0000 0301										
DIN DN10	0211 1010 0000 0301	13.00	10.00	39.50	20.00	54.00	37.00	4	0.17		
DIN DN15	0211 1015 0000 0301	19.00	16.00	39.50	20.00	59.00	42.00	4	0.20		
DIN DN20	0211 1020 0000 0301	23.00	20.00	39.50	20.00	64.00	47.00	4	0.23		
DIN DN25	0211 1025 0000 0301	29.00	26.00	44.50	20.00	70.00	53.00	4	0.27		
DIN DN32	0211 1032 0000 0301	35.00	32.00	44.50	25.00	76.00	59.00	4	0.36		
DIN DN40	0211 1040 0000 0301	41.00	38.00	44.50	25.00	82.00	65.00	4	0.36		
DIN DN50	0211 1050 0000 0301	53.00	50.00	44.50	25.00	94.00	77.00	4	0.44		
DIN DN65	0211 1065 0000 0301	70.00	66.00	48.00	25.00	113.00	95.00	8	0.60		
DIN DN80	0211 1080 0000 0301	85.00	81.00	55.00	35.00	133.00	112.00	8	0.97		
DIN DN100	0211 1100 0000 0301	104.00	100.00	58.00	30.00	159.00	137.00	8	1.35		
ISO DN06	0211 2006 0000 0301	10.20	7.00	39.50		50.00	33.00	4			
ISO DN08	0211 2008 0000 0301	13.50	10.3.00	39.50	20.00	54.00	37.00	4	0.17		
ISO DN10	0211 2010 0000 0301	17.20	14.00	39.50	20.00	59.00	42.00	4	0.20		
ISO DN15	0211 2015 0000 0301	21.30	18.10	39.50	20.00	62.00	45.00	4	0.22		
ISO DN20	0211 2020 0000 0301	26.90	23.70	39.50	20.00	69.00	52.00	4	0.27		
ISO DN25	0211 2025 0000 0301	33.70	29.70	44.50	25.00	74.00	57.00	4	0.32		
ISO DN32	0211 2032 0000 0301	42.40	38.40	44.50	25.00	82.00	65.00	4	0.37		
ISO DN40	0211 2040 0000 0301	48.30	44.30	44.50	25.00	88.00	71.00	4	0.42		
ISO DN50	0211 2050 0000 0301	60.30	56.30	44.50	25.00	103.00	85.00	4	0.54		
ISO DN65	0211 2065 0000 0301	76.10	72.10	48.00	25.00	125.00	104.00	8	0.84		
ISO DN80	0211 2080 0000 0301	88.90	84.30	56.00	29.80	137.00	116.00	8	1.04		
ISO DN100	0211 2100 0000 0301	114.30	109.70	58.00	29.80	168.00	146.00	8	1.17		
OD 1/2"	0211 3005 0000 0301	12.70	9.40	39.50	20.00	59.00	42.00	4	0.17		
OD 3/4"	0211 3007 0000 0301	19.05	15.75	39.50	20.00	62.00	45.00	4	0.20		
OD 1"	0211 3010 0000 0301	25.40	22.10	39.50	20.00	66.00	49.00	4	0.25		
OD 1 1/2"	0211 3015 0000 0301	38.10	34.80	44.50	25.00	79.00	62.00	4	0.34		
OD 2"	0211 3020 0000 0301	50.80	47.50	44.50	25.00	92.00	75.00	4	0.43		
OD 3"	0211 3030 0000 0301	76.20	72.90	48.00	25.00	125.00	104.00	8	0.84		
OD 4"	0211 3040 0000 0301	101.60	97.38	58.00	30.00	157.00	135.00	8	1.53		

Note: Actual data to collect at [www.LM-Biotech.ch](http://www.LM-Biotech.ch). Specifications and design are subject to change without notice. Date of revision: 07/14



## 1.2.2 STERILE FLANGE CONNECTION BIOPLUS-F



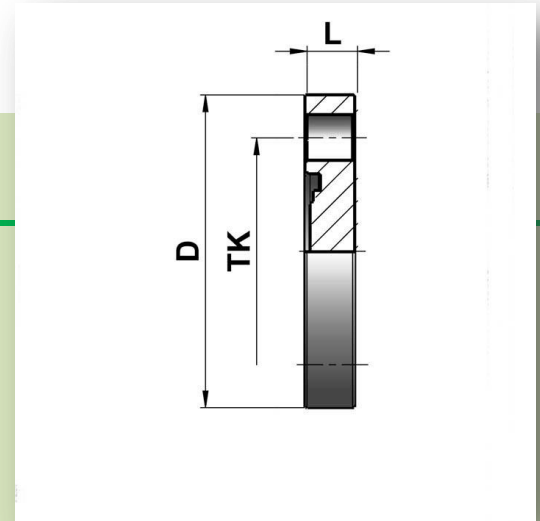
### 1.2.2.2 STERILE FLANGE UNION MALE

Size	Article no.	Pipe-AD [mm]	Pipe-ID [mm]	Length L [mm]	Length S [mm]	Diam. D [mm]	Length TK [mm]	Screw [Pcs.]	Weight [kg]		
DIN DN06	0212 1006 0000 0301										
DIN DN08	0212 1008 0000 0301										
DIN DN10	0212 1010 0000 0301	13.00	10.00	38.50	20.00	54.00	37.00	4	0.15		
DIN DN15	0212 1015 0000 0301	19.00	16.00	38.50	20.00	59.00	42.00	4	0.19		
DIN DN20	0212 1020 0000 0301	23.00	20.00	38.50	20.00	64.00	47.00	4	0.23		
DIN DN25	0212 1025 0000 0301	29.00	26.00	43.50	20.00	70.00	53.00	4	0.26		
DIN DN32	0212 1032 0000 0301	35.00	32.00	43.50	25.00	76.00	59.00	4	0.34		
DIN DN40	0212 1040 0000 0301	41.00	38.00	43.50	25.00	82.00	65.00	4	0.35		
DIN DN50	0212 1050 0000 0301	53.00	50.00	43.50	25.00	94.00	77.00	4	0.43		
DIN DN65	0212 1065 0000 0301	70.00	66.00	47.00	25.00	113.00	95.00	8	0.58		
DIN DN80	0212 1080 0000 0301	85.00	81.00	56.00	35.00	133.00	112.00	8	0.98		
DIN DN100	0212 1100 0000 0301	104.00	100.00	57.00	30.00	159.00	137.00	8	1.40		
ISO DN06	0212 2006 0000 0301	10.20	7.00	38.50		50.00	33.00	4			
ISO DN08	0212 2008 0000 0301	13.50	10.30	38.50	20.00	54.00	37.00	4	0.15		
ISO DN10	0212 2010 0000 0301	17.20	14.00	38.50	20.00	59.00	42.00	4	0.19		
ISO DN15	0212 2015 0000 0301	21.30	18.10	38.50	20.00	62.00	45.00	4	0.21		
ISO DN20	0212 2020 0000 0301	26.90	23.70	38.50	20.00	69.00	52.00	4	0.26		
ISO DN25	0212 2025 0000 0301	33.70	29.70	43.50	25.00	74.00	57.00	4	0.31		
ISO DN32	0212 2032 0000 0301	42.40	38.40	43.50	25.00	82.00	65.00	4	0.37		
ISO DN40	0212 2040 0000 0301	48.30	44.30	43.50	25.00	88.00	71.00	4	0.41		
ISO DN50	0212 2050 0000 0301	60.30	56.30	43.50	25.00	103.00	85.00	4	0.53		
ISO DN65	0212 2065 0000 0301	76.10	72.10	47.00	25.00	125.00	104.00	8	0.82		
ISO DN80	0212 2080 0000 0301	88.90	84.30	56.00	29.80	137.00	116.00	8	1.10		
ISO DN100	0212 2100 0000 0301	114.30	109.70	57.00	29.80	168.00	146.00	8	1.60		
OD 1/2"	0212 3005 0000 0301	12.70	9.40	38.50	20.00	59.00	42.00	4			
OD 3/4"	0212 3007 0000 0301	19.05	15.75	38.50	20.00	62.00	45.00	4	0.19		
OD 1"	0212 3010 0000 0301	25.40	22.10	38.50	20.00	66.00	49.00	4	0.24		
OD 1 1/2"	0212 3015 0000 0301	38.10	34.80	43.50	25.00	79.00	62.00	4	0.33		
OD 2"	0212 3020 0000 0301	50.80	47.50	43.50	25.00	92.00	75.00	4	0.42		
OD 3"	0212 3030 0000 0301	76.20	72.90	47.00	25.00	125.00	104.00	8	0.80		
OD 4"	0212 3040 0000 0301	101.60	97.38	57.00	30.00	157.00	135.00	8	1.50		

Note: Actual data to collect at [www.LM-Biotech.ch](http://www.LM-Biotech.ch). Specifications and design are subject to change without notice. Date of revision: 07/14



## 1.2.2 STERILE FLANGE CONNECTION BIOPLUS-F



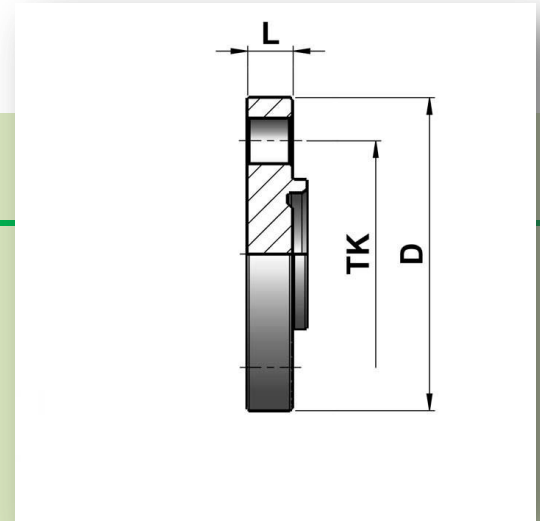
### 1.2.2.3 STERILE FLANGE COVER FEMALE

Size	Article no.	Length L [mm]	Diam. D [mm]	Diam. TK [mm]	Screw [Pcs.]	Weight [kg]						
DIN DN08	0213 1008 0000 0301											
DIN DN10	0213 1010 0000 0301	10.00	54.00	37.00	4	0.16						
DIN DN15	0213 1015 0000 0301	10.00	59.00	42.00	4	0.19						
DIN DN20	0213 1020 0000 0301	10.00	64.00	47.00	4	0.22						
DIN DN25	0213 1025 0000 0301	10.00	70.00	53.00	4	0.27						
DIN DN32	0213 1032 0000 0301	10.00	76.00	59.00	4	0.31						
DIN DN40	0213 1040 0000 0301	10.00	82.00	65.00	4	0.38						
DIN DN50	0213 1050 0000 0301	10.00	94.00	77.00	4	0.54						
DIN DN65	0213 1065 0000 0301	12.00	113.00	95.00	8	0.95						
DIN DN80	0213 1080 0000 0301	12.00	133.00	112.00	8	1.20						
DIN DN100	0213 1100 0000 0301	14.00	159.00	137.00	8	2.10						
ISO DN06	0213 2006 0000 0301	10.00	50.00	33.00	4							
ISO DN08	0213 2008 0000 0301	10.00	54.00	37.00	4	0.16						
ISO DN10	0213 2010 0000 0301	10.00	59.00	42.00	4	0.19						
ISO DN15	0213 2015 0000 0301	10.00	62.00	45.00	4	0.22						
ISO DN20	0213 2020 0000 0301	10.00	69.00	52.00	4	0.27						
ISO DN25	0213 2025 0000 0301	10.00	74.00	57.00	4	0.31						
ISO DN32	0213 2032 0000 0301	10.00	82.00	65.00	4	0.38						
ISO DN40	0213 2040 0000 0301	10.00	88.00	71.00	4	0.44						
ISO DN50	0213 2050 0000 0301	10.00	103.00	85.00	4	0.61						
ISO DN65	0213 2065 0000 0301	12.00	125.00	104.00	8	1.08						
ISO DN80	0213 2080 0000 0301	12.00	137.00	116.00	8	1.26						
ISO DN100	0213 2100 0000 0301	14.00	168.00	146.00	8	2.24						
OD 1/2"	0213 3005 0000 0301	10.00	59.00	42.00	4	0.16						
OD 3/4"	0213 3007 0000 0301	10.00	62.00	45.00	4	0.20						
OD 1"	0213 3010 0000 0301	10.00	66.00	49.00	4	0.30						
OD 1 1/2"	0213 3015 0000 0301	10.00	79.00	62.00	4	0.39						
OD 2"	0213 3020 0000 0301	10.00	92.00	75.00	4	0.41						
OD 3"	0213 3030 0000 0301	12.00	125.00	104.00	8	1.08						
OD 4"	0213 3040 0000 0301	14.00	157.00	135.00	8	2.20						

Note: Actual data to collect at [www.LM-Biotech.ch](http://www.LM-Biotech.ch). Specifications and design are subject to change without notice. Date of revision: 07/14



## 1.2.2 STERILE FLANGE CONNECTION BIOPLUS-F



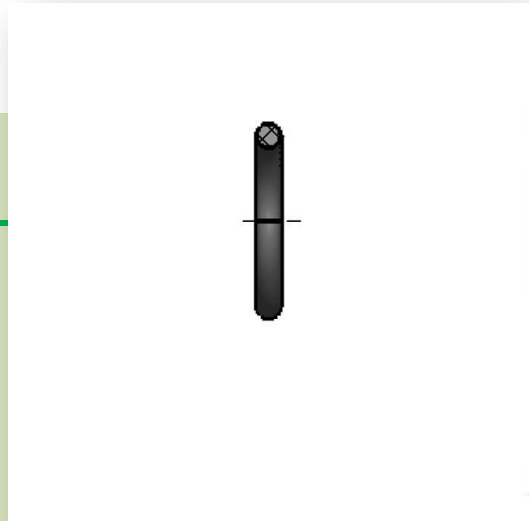
### 1.2.2.4 STERILE FLANGE COVER MALE

Size	Article no.	Length L [mm]	Diam. D [mm]	Diam. TK [mm]	Screw [Pcs.]	Weight [kg]					
<b>DIN DN06</b>	0214 1006 0000 0301										
<b>DIN DN08</b>	0214 1008 0000 0301										
<b>DIN DN10</b>	0214 1010 0000 0301	9.00	54.00	37.00	4	0.15					
<b>DIN DN15</b>	0214 1015 0000 0301	9.00	59.00	42.00	4	0.18					
<b>DIN DN20</b>	0214 1020 0000 0301	9.00	64.00	47.00	4	0.21					
<b>DIN DN25</b>	0214 1025 0000 0301	9.00	70.00	53.00	4	0.24					
<b>DIN DN32</b>	0214 1032 0000 0301	9.00	76.00	59.00	4	0.30					
<b>DIN DN40</b>	0214 1040 0000 0301	9.00	82.00	65.00	4	0.38					
<b>DIN DN50</b>	0214 1050 0000 0301	9.00	94.00	77.00	4	0.50					
<b>DIN DN65</b>	0214 1065 0000 0301	11.00	113.00	95.00	8	0.85					
<b>DIN DN80</b>	0214 1080 0000 0301	11.00	133.00	112.00	8	1.10					
<b>DIN DN100</b>	0214 1100 0000 0301	11.00	159.00	137.00	8	2.00					
<b>ISO DN06</b>	0214 2006 0000 0301	9.00	50.00	33.00	4						
<b>ISO DN08</b>	0214 2008 0000 0301	9.00	54.00	37.00	4	0.15					
<b>ISO DN10</b>	0214 2010 0000 0301	9.00	59.00	42.00	4	0.19					
<b>ISO DN15</b>	0214 2015 0000 0301	9.00	62.00	45.00	4	0.21					
<b>ISO DN20</b>	0214 2020 0000 0301	9.00	69.00	52.00	4	0.26					
<b>ISO DN25</b>	0214 2025 0000 0301	9.00	74.00	57.00	4	0.30					
<b>ISO DN32</b>	0214 2032 0000 0301	9.00	82.00	65.00	4	0.38					
<b>ISO DN40</b>	0214 2040 0000 0301	9.00	88.00	71.00	4	0.43					
<b>ISO DN50</b>	0214 2050 0000 0301	9.00	103.00	85.00	4	0.60					
<b>ISO DN65</b>	0214 2065 0000 0301	11.00	125.00	104.00	8	1.06					
<b>ISO DN80</b>	0214 2080 0000 0301	11.00	137.00	116.00	8	1.34					
<b>ISO DN100</b>	0214 2100 0000 0301	11.00	168.00	146.00	8	2.10					
<b>OD 1/2"</b>	0214 3005 0000 0301	9.00	59.00	42.00	4	0.15					
<b>OD 3/4"</b>	0214 3007 0000 0301	9.00	62.00	45.00	4	0.19					
<b>OD 1"</b>	0214 3010 0000 0301	9.00	66.00	49.00	4	0.29					
<b>OD 1 1/2"</b>	0214 3015 0000 0301	9.00	79.00	62.00	4	0.39					
<b>OD 2"</b>	0214 3020 0000 0301	9.00	92.00	75.00	4	0.41					
<b>OD 3"</b>	0214 3030 0000 0301	11.00	125.00	104.00	8	1.08					
<b>OD 4"</b>	0214 3040 0000 0301	13.00	157.00	135.00	8	2.20					

Note: Actual data to collect at [www.LM-Biotech.ch](http://www.LM-Biotech.ch). Specifications and design are subject to change without notice. Date of revision: 07/14



## 1.2.2 STERILE FLANGE CONNECTION BIOPLUS-F



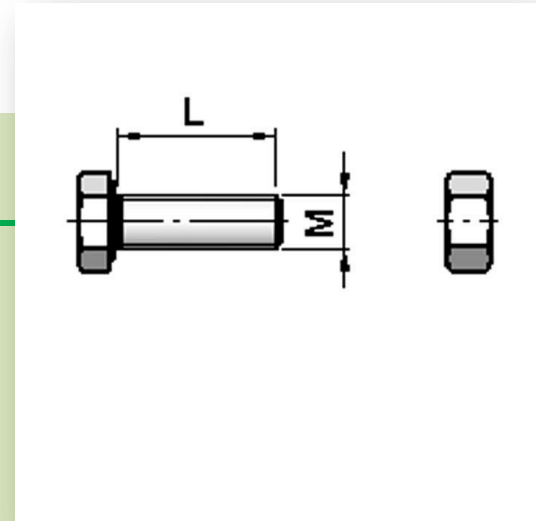
### 1.2.2.5 O-RING

Size	Article no. EPDM (EL-Code)	Article no. EPDM (LM-Code)	Article no. PTFE (EL-Code)	Article no. PTFE (LM-Code)	Article no. Silicone (EL-Code)	Article no. Silicone (LM-Code)
DIN DN04	0291 1004 0000 1000	LM01.D04.00.EP.0	0291 1004 0000 1010	LM01.D04.00.FE.3	0291 1004 0000 1030	LM01.D04.00.SI.1
DIN DN06	0291 1006 0000 1000	LM01.D06.00.EP.0	0291 1006 0000 1010	LM01.D06.00.FE.3	0291 1006 0000 1030	LM01.D06.00.SI.1
DIN DN08	0291 1008 0000 1000	LM01.D08.00.EP.0	0291 1008 0000 1010	LM01.D08.00.FE.3	0291 1008 0000 1030	LM01.D08.00.SI.1
DIN DN10	0291 1010 0000 1000	LM01.D10.00.EP.0	0291 1010 0000 1010	LM01.D10.00.FE.3	0291 1010 0000 1030	LM01.D10.00.SI.1
DIN DN15	0291 1015 0000 1000	LM01.D15.00.EP.0	0291 1015 0000 1010	LM01.D15.00.FE.3	0291 1015 0000 1030	LM01.D15.00.SI.1
DIN DN20	0291 1020 0000 1000	LM01.D20.00.EP.0	0291 1020 0000 1010	LM01.D20.00.FE.3	0291 1020 0000 1030	LM01.D20.00.SI.1
DIN DN25	0291 1025 0000 1000	LM01.D25.00.EP.0	0291 1025 0000 1010	LM01.D25.00.FE.3	0291 1025 0000 1030	LM01.D25.00.SI.1
DIN DN32	0291 1032 0000 1000	LM01.D32.00.EP.0	0291 1032 0000 1010	LM01.D32.00.FE.3	0291 1032 0000 1030	LM01.D32.00.SI.1
DIN DN40	0291 1040 0000 1000	LM01.D40.00.EP.0	0291 1040 0000 1010	LM01.D40.00.FE.3	0291 1040 0000 1030	LM01.D40.00.SI.1
DIN DN50	0291 1050 0000 1000	LM01.D50.00.EP.0	0291 1050 0000 1010	LM01.D50.00.FE.3	0291 1050 0000 1030	LM01.D50.00.SI.1
DIN DN65	0291 1065 0000 1000	LM01.D65.00.EP.0	0291 1065 0000 1010	LM01.D65.00.FE.3	0291 1065 0000 1030	LM01.D65.00.SI.1
DIN DN80	0291 1080 0000 1000	LM01.D80.00.EP.0	0291 1080 0000 1010	LM01.D80.00.FE.3	0291 1080 0000 1030	LM01.D80.00.SI.1
DIN DN100	0291 1100 0000 1000	LM01.D100.00.EP.0	0291 1100 0000 1010	LM01.D100.00.FE.3	0291 1100 0000 1030	LM01.D100.00.SI.1
ISO DN06	0291 2006 0000 1000	LM01.N06.00.EP.0	0291 2006 0000 1010	LM01.N06.00.FE.3	0291 2006 0000 1030	LM01.N06.00.SI.1
ISO DN08	0291 2008 0000 1000	LM01.N08.00.EP.0	0291 2008 0000 1010	LM01.N08.00.FE.3	0291 2008 0000 1030	LM01.N08.00.SI.1
ISO DN10	0291 2010 0000 1000	LM01.N10.00.EP.0	0291 2010 0000 1010	LM01.N10.00.FE.3	0291 2010 0000 1030	LM01.N10.00.SI.1
ISO DN15	0291 2015 0000 1000	LM01.N15.00.EP.0	0291 2015 0000 1010	LM01.N15.00.FE.3	0291 2015 0000 1030	LM01.N15.00.SI.1
ISO DN20	0291 2020 0000 1000	LM01.N20.00.EP.0	0291 2020 0000 1010	LM01.N20.00.FE.3	0291 2020 0000 1030	LM01.N20.00.SI.1
ISO DN25	0291 2025 0000 1000	LM01.N25.00.EP.0	0291 2025 0000 1010	LM01.N25.00.FE.3	0291 2025 0000 1030	LM01.N25.00.SI.1
ISO DN32	0291 2032 0000 1000	LM01.N32.00.EP.0	0291 2032 0000 1010	LM01.N32.00.FE.3	0291 2032 0000 1030	LM01.N32.00.SI.1
ISO DN40	0291 2040 0000 1000	LM01.N40.00.EP.0	0291 2040 0000 1010	LM01.N40.00.FE.3	0291 2040 0000 1030	LM01.N40.00.SI.1
ISO DN50	0291 2050 0000 1000	LM01.N50.00.EP.0	0291 2050 0000 1010	LM01.N50.00.FE.3	0291 2050 0000 1030	LM01.N50.00.SI.1
ISO DN65	0291 2065 0000 1000	LM01.N65.00.EP.0	0291 2065 0000 1010	LM01.N65.00.FE.3	0291 2065 0000 1030	LM01.N65.00.SI.1
ISO DN80	0291 2080 0000 1000	LM01.N80.00.EP.0	0291 2080 0000 1010	LM01.N80.00.FE.3	0291 2080 0000 1030	LM01.N80.00.SI.1
ISO DN100	0291 2100 0000 1000	LM01.N100.00.EP.0	0291 2100 0000 1010	LM01.N100.00.FE.3	0291 2100 0000 1030	LM01.N100.00.SI.1
OD 1/2"	0291 3005 0000 1000	LM01.K05.00.EP.0	0291 3005 0000 1010	LM01.K05.00.FE.3	0291 3005 0000 1030	LM01.K05.00.SI.1
OD 3/4"	0291 3007 0000 1000	LM01.K07.00.EP.0	0291 3007 0000 1010	LM01.K07.00.FE.3	0291 3007 0000 1030	LM01.K07.00.SI.1
OD 1"	0291 3010 0000 1000	LM01.K10.00.EP.0	0291 3010 0000 1010	LM01.K10.00.FE.3	0291 3010 0000 1030	LM01.K10.00.SI.1
OD 1 1/2"	0291 3015 0000 1000	LM01.K15.00.EP.0	0291 3015 0000 1010	LM01.K15.00.FE.3	0291 3015 0000 1030	LM01.K15.00.SI.1
OD 2"	0291 3020 0000 1000	LM01.K20.00.EP.0	0291 3020 0000 1010	LM01.K20.00.FE.3	0291 3020 0000 1030	LM01.K20.00.SI.1
OD 3"	0291 3030 0000 1000	LM01.K30.00.EP.0	0291 3030 0000 1010	LM01.K30.00.FE.3	0291 3030 0000 1030	LM01.K30.00.SI.1
OD 4"	0291 3040 0000 1000	LM01.K40.00.EP.0	0291 3040 0000 1010	LM01.K40.00.FE.3	0291 3040 0000 1030	LM01.K40.00.SI.1

Note: Actual data to collect at [www.LM-Biotech.ch](http://www.LM-Biotech.ch). Specifications and design are subject to change without notice. Date of revision: 07/14



## 1.2.2 STERILE FLANGE CONNECTION BIOPLUS-F



### 2.9.3 SCREW SET FOR STERILE FLANGE CONNECTION

Size	Article no.										
DIN DN10	0293 1010 0000 0408										
DIN DN15	0293 1015 0000 0408										
DIN DN20	0293 1020 0000 0408										
DIN DN25	0293 1025 0000 0408										
DIN DN32	0293 1032 0000 0408										
DIN DN40	0293 1040 0000 0408										
DIN DN50	0293 1050 0000 0408										
DIN DN65	0293 1065 0000 0408										
DIN DN80	0293 1080 0000 0408										
DIN DN100	0293 1100 0000 0408										
ISO DN08	0293 2008 0000 0408										
ISO DN10	0293 2010 0000 0408										
ISO DN15	0293 2015 0000 0408										
ISO DN20	0293 2020 0000 0408										
ISO DN25	0293 2025 0000 0408										
ISO DN32	0293 2032 0000 0408										
ISO DN40	0293 2040 0000 0408										
ISO DN50	0293 2050 0000 0408										
ISO DN65	0293 2065 0000 0408										
ISO DN80	0293 2080 0000 0408										
OD 1/2"	0293 3005 0000 0408										
OD 3/4"	0293 3007 0000 0408										
OD 1"	0293 3010 0000 0408										
OD 1 1/2"	0293 3015 0000 0408										
OD 2"	0293 3020 0000 0408										
OD 3"	0293 3030 0000 0408										
OD 4"	0293 3040 0000 0408										

Note: Actual data to collect at [www.LM-Biotech.ch](http://www.LM-Biotech.ch). Specifications and design are subject to change without notice. Date of revision: 07/14