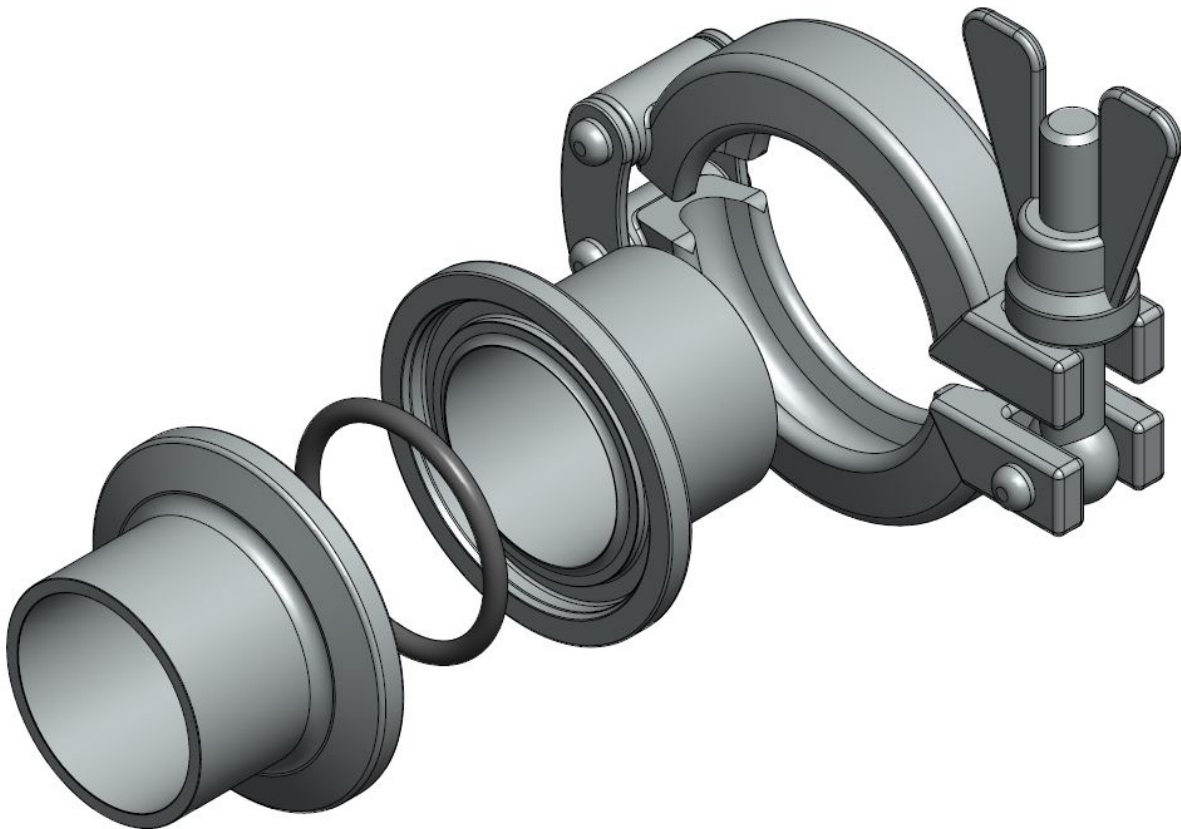




## 1.2.3 bio-plus® C Steril Klemmverbindung



bio-plus® C Steril Klemmverbindung



## Übersicht

	<b>bio-plus® C Steril Klemmverbindung komplett</b>	<b>Seite 4,5</b>
	<b>bio-plus® C Nutklemmstutzen</b>	<b>Seite 6,7</b>
	<b>bio-plus® C Bundklemmstutzen</b>	<b>Seite 8,9</b>
	<b>bio-plus® C Nutblinddeckel</b>	<b>Seite 10,11</b>
	<b>bio-plus® C Bundblinddeckel</b>	<b>Seite 12,13</b>
	<b>bio-plus® C Klammer</b>	<b>Seite 14,15</b>
	<b>bio-plus® C O-Ringe</b>	<b>Seite 16,17</b>
	<b>bio-plus® C Erweitertes Produktsortiment</b>	<b>Seite 18</b>
	<b>bio-plus® C Bestellschlüssel</b>	<b>Seite 19</b>
	<b>bio-plus® C Rohranschlussstabelle</b>	<b>Seite 22</b>

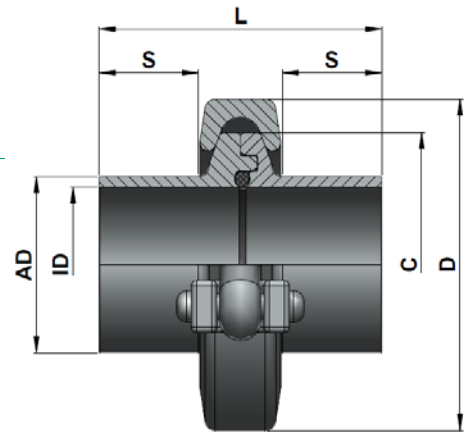
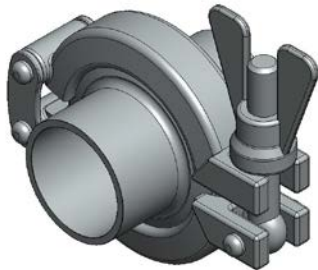


## Technische Daten

<b>Standard-Baugrößen</b>	<ul style="list-style-type: none"><li>• DIN DN04 - DIN DN100</li><li>• ISO DN06 - ISO DN100</li><li>• BSOD DN1/4" –BSOD DN4"</li><li>• SMS DN04 - SMS DN100</li></ul>
<b>Werkstoffe</b>	Produktberührt: <ul style="list-style-type: none"><li>• 1.4435 BN2 (316L)</li><li>• Sonderwerkstoffe wie z.B. 2.4602, Titan, 1.4539 etc. auf Anfrage</li></ul> Nicht Produktberührt: <ul style="list-style-type: none"><li>• 1.4305 oder gleichwertig</li></ul>
<b>Dichtungswerkstoffe</b>	Standarddichtungen: <ul style="list-style-type: none"><li>• EPDM</li><li>• FEP (Silikonkern) / Silikon / FKM</li><li>• Sonderdichtwerkstoffe auf Anfrage</li></ul>
<b>Oberflächen</b>	Produktberührte Oberflächen: <ul style="list-style-type: none"><li>• elektropoliert Ra &lt; 0,6µm</li><li>• andere Oberflächen auf Anfrage</li></ul> Nicht Produktberührte Oberflächen: <ul style="list-style-type: none"><li>• elektropoliert Ra &gt; 1,6µm</li></ul>
<b>Rückverfolgbarkeit</b>	Alle produktberührenden Teile markiert mit Material und Chargennummer
<b>Produkte</b>	Gase und Flüssigkeiten
<b>Umgebungstemperatur</b>	-20°C bis +80°C
<b>Betriebsdruck</b>	<ul style="list-style-type: none"><li>• DIN DN04 – DN32 = 16 bar</li><li>• DIN DN40 – DN100 = 8 bar</li><li>• ISO DN06 – DN25 = 16 bar</li><li>• ISO DN32 - DN100 = 8 bar</li><li>• BSOD DN1/4" - DN1 1/2" = 16 bar</li><li>• BSOD DN2" – DN4" = 8 bar</li><li>• SMS DN06 – DN32 = 16 bar</li><li>• SMS DN40 – DN100 = 8 bar</li></ul>
<b>Betriebstemperatur Dichtungswerkstoffe</b>	<ul style="list-style-type: none"><li>• EPDM: -40°C bis +160°C, kurzzeitig bis +180°C</li><li>• FEP (Silikonkern): -60°C bis +260°C, kurzzeitig bis +300°C</li></ul>
<b>Normen</b>	Rohranschlussmaße: <ul style="list-style-type: none"><li>• DIN (DIN11866 Reihe A)</li><li>• ISO (DIN11866 Reihe B)</li><li>• BSOD (DIN11866 Reihe C)</li><li>• SMS (SMS 3008)</li></ul>
<b>Zertifikate</b>	Produktberührende Teile: <ul style="list-style-type: none"><li>• EN 10204 / 3.1</li></ul> Produktberührende Dichtungen: <ul style="list-style-type: none"><li>• FDA-Konformität, USP-Class VI, TSE-frei</li></ul>



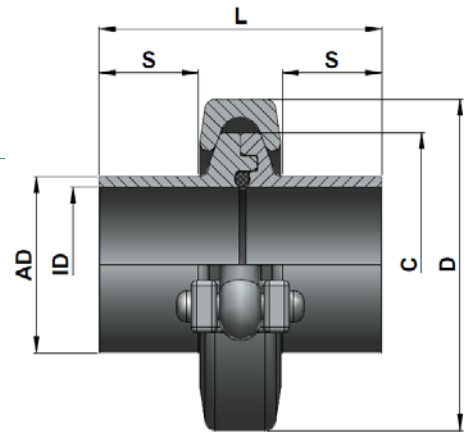
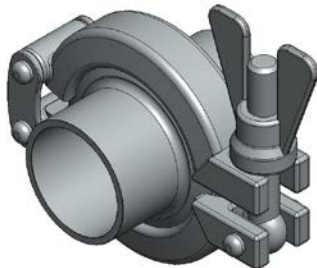
**bio-plus® C Klemmverbindung kompl. EPDM**



	Größe	Artikel-Nr.	AD [mm]	ID [mm]	L [mm]	S [mm]	D [mm]	C [mm]	Gewicht [kg]
DIN Abmessung	<b>DIN DN04</b>	LMAA.X04.X00.35.0	6.00	4.00	54.00	18.00	38.00	25.00	0.18
	<b>DIN DN06</b>	LMAA.X06.X00.35.0	8.00	6.00	54.00	18.00	38.00	25.00	0.18
	<b>DIN DN08</b>	LMAA.X08.X00.35.0	10.00	8.00	54.00	18.00	38.00	25.00	0.18
	<b>DIN DN10</b>	LMAA.X10.X00.35.0	12.00	10.00	54.00	18.00	64.00	25.00	0.18
	<b>DIN DN10</b>	LMAA.X10.X00.35.0-1	13.00	10.00	54.00	18.00	64.00	25.00	0.19
	<b>DIN DN15</b>	LMAA.X15.X00.35.0	19.00	16.00	54.00	18.00	64.00	50.50	0.42
	<b>DIN DN20</b>	LMAA.X20.X00.35.0	23.00	20.00	54.00	18.00	64.00	50.50	0.41
	<b>DIN DN25</b>	LMAA.X25.X00.35.0	29.00	26.00	54.00	18.00	64.00	50.50	0.39
	<b>DIN DN32</b>	LMAA.X32.X00.35.0	35.00	32.00	54.00	18.00	64.00	50.50	0.37
	<b>DIN DN40</b>	LMAA.X40.X00.35.0	41.00	38.00	60.00	21.00	78.00	64.00	0.52
	<b>DIN DN 50</b>	LMAA.X50.X00.35.0	53.00	50.00	60.00	21.00	92.00	77.50	0.63
	<b>DIN DN 65</b>	LMAA.X65.X00.35.0	70.00	66.00	60.00	21.00	105.00	91.00	0.79
	<b>DIN DN 80</b>	LMAA.X80.X00.35.0	85.00	81.00	60.00	21.00	120.00	106.00	0.90
<b>DIN DN 100</b>	LMAA.X100.X00.35.0	104.00	100.00	60.00	21.00	144.00	130.00	1.20	
ISO Abmessung	<b>ISO DN06</b>	LMAA.U06.U00.35.0	10.20	7.00	54.00	18.00	38.00	25.00	0.19
	<b>ISO DN08</b>	LMAA.U08.U00.35.0	13.50	10.30	54.00	18.00	38.00	25.00	0.19
	<b>ISO DN10</b>	LMAA.U10.U00.35.0	17.20	14.00	54.00	18.00	64.00	50.50	0.42
	<b>ISO DN15</b>	LMAA.U15.U00.35.0	21.30	18.10	54.00	18.00	64.00	50.50	0.41
	<b>ISO DN20</b>	LMAA.U20.U00.35.0	26.90	23.70	54.00	18.00	64.00	50.50	0.40
	<b>ISO DN25</b>	LMAA.U25.U00.35.0	33.70	29.70	54.00	18.00	64.00	50.50	0.39
	<b>ISO DN32</b>	LMAA.U32.U00.35.0	42.40	38.40	60.00	21.00	78.00	64.00	0.54
	<b>ISO DN40</b>	LMAA.U40.U00.35.0	48.30	44.30	60.00	21.00	78.00	64.00	0.51
	<b>ISO DN 50</b>	LMAA.U50.U00.35.0	60.30	56.30	60.00	21.00	92.00	77.50	0.61
	<b>ISO DN 65</b>	LMAA.U65.U00.35.0	76.10	72.10	60.00	21.00	105.00	91.00	0.71
	<b>ISO DN 80</b>	LMAA.U80.U00.35.0	88.90	84.30	60.00	21.00	120.00	106.00	0.89
<b>ISO DN 100</b>	LMAA.U100.U00.35.0	114.30	109.70	60.00	20.00	158.00	144.50	1.47	



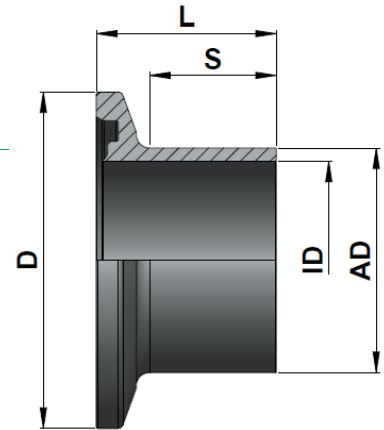
**bio-plus® C Klemmverbindung kompl. EPDM**



	Größe	Artikel-Nr.	AD [mm]	ID [mm]	L [mm]	S [mm]	D [mm]	C [mm]		Gewicht [kg]
<b>BSOD-Abmessung</b>	<b>BSOD 1/4"</b>	LMAA.Q02.Q00.35.0	6.35	4.57	54.00	18.00	38.00	25.00		0.18
	<b>BSOD 3/8"</b>	LMAA.Q03.Q00.35.0	9.53	7.75	54.00	18.00	38.00	25.00		0.18
	<b>BSOD 1/2"</b>	LMAA.Q05.Q00.35.0	12.70	9.40	54.00	18.00	38.00	25.00		0.19
	<b>BSOD 3/4"</b>	LMAA.Q07.Q00.35.0	19.05	15.75	54.00	18.00	64.00	50.50		0.42
	<b>BSOD 1"</b>	LMAA.Q10.Q00.35.0	25.40	22.10	54.00	18.00	64.00	50.50		0.41
	<b>BSOD 1 1/2"</b>	LMAA.Q15.Q00.35.0	38.10	34.80	54.00	18.00	64.00	50.50		0.36
	<b>BSOD 2"</b>	LMAA.Q20.Q00.35.0	50.80	47.50	60.00	21.00	78.00	64.00		0.47
	<b>BSOD 2 1/2"</b>	LMAA.Q25.Q00.35.0	63.50	60.20	60.00	21.00	92.00	77.50		0.56
	<b>BSOD DN 3"</b>	LMAA.Q30.Q00.35.0	76.20	72.90	60.00	21.00	105.00	91.00		0.68
	<b>BSOD DN 4"</b>	LMAA.Q40.Q00.35.0	101.60	97.38	60.00	21.00	133.00	119.00		0.98
<b>SMS-Abmessung</b>	<b>SMS DN06</b>	LMAA.L06.L00.35.0	8.00	6.00	54.00	18.00	38.00	25.00		0.18
	<b>SMS DN08</b>	LMAA.L08.L00.35.0	10.00	8.00	54.00	18.00	38.00	25.00		0.18
	<b>SMS DN10</b>	LMAA.L10.L00.35.0	12.00	10.00	54.00	18.00	38.00	25.00		0.18
	<b>SMS DN15</b>	LMAA.L15.L00.35.0	18.00	16.00	54.00	18.00	64.00	50.50		0.41
	<b>SMS DN20</b>	LMAA.L20.L00.35.0	22.00	20.00	54.00	18.00	64.00	50.50		0.40
	<b>SMS DN25</b>	LMAA.L25.L00.35.0	25.00	22.60	54.00	18.00	64.00	50.50		0.39
	<b>SMS DN32</b>	LMAA.L32.L00.35.0	32.00	29.60	54.00	18.00	64.00	50.50		0.37
	<b>SMS DN40</b>	LMAA.L40.L00.35.0	38.00	35.60	60.00	21.00	78.00	64.00		0.52
	<b>SMS DN50</b>	LMAA.L50.L00.35.0	51.00	48.60	60.00	21.00	92.00	77.50		0.63
	<b>SMS DN65</b>	LMAA.L65.L00.35.0	63.50	60.30	60.00	21.00	92.00	77.50		0.55
	<b>SMS DN80</b>	LMAA.L80.L00.35.0	76.10	72.90	60.00	20.00	105.00	91.00		0.68
<b>SMS D100</b>	LMAA.L100.L00.35.0	101.60	97.60	60.00	20.00	133.00	119.00		0.96	



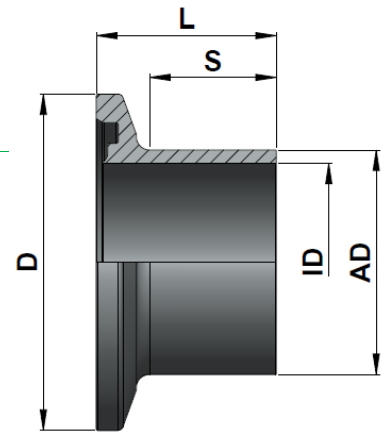
**bio-plus® C Nutklemmstutzen**



	Größe	Artikel-Nr.	AD [mm]	ID [mm]	L [mm]	S [mm]	D [mm]			Gewicht [kg]
DIN Abmessung	<b>DIN DN04</b>	LMB3.X04.X00.35.0	6.00	4.00	27.00	18.00	25.00			0.02
	<b>DIN DN06</b>	LMB3.X06.X00.35.0	8.00	6.00	27.00	18.00	25.00			0.02
	<b>DIN DN08</b>	LMB3.X08.X00.35.0	10.00	8.00	27.00	18.00	25.00			0.02
	<b>DIN DN10</b>	LMB3.X10.X00.35.0	12.00	10.00	27.00	18.00	25.00			0.02
	<b>DIN DN10</b>	LMB3.X10.X00.35.0-1	13.00	10.00	27.00	18.00	25.00			0.02
	<b>DIN DN15</b>	LMB3.X15.X00.35.0	19.00	16.00	27.00	18.00	50.50			0.09
	<b>DIN DN20</b>	LMB3.X20.X00.35.0	23.00	20.00	27.00	18.00	50.50			0.09
	<b>DIN DN25</b>	LMB3.X25.X00.35.0	29.00	26.00	27.00	18.00	50.50			0.08
	<b>DIN DN32</b>	LMB3.X32.X00.35.0	35.00	32.00	27.00	18.00	50.50			0.06
	<b>DIN DN40</b>	LMB3.X40.X00.35.0	41.00	38.00	30.00	21.00	64.00			0.11
	<b>DIN DN 50</b>	LMB3.X50.X00.35.0	53.00	50.00	30.00	21.00	77.50			0.15
	<b>DIN DN 65</b>	LMB3.X65.X00.35.0	70.00	66.00	30.00	21.00	91.00			0.19
	<b>DIN DN 80</b>	LMB3.X80.X00.35.0	85.00	81.00	30.00	20.00	106.00			0.23
<b>DIN DN 100</b>	LMB3.X100.X00.35.0	104.00	100.00	30.00	20.00	130.00			0.34	
ISO Abmessung	<b>ISO DN06</b>	LMB3.U06.U00.35.0	10.20	7.00	27.00	18.00	25.00			0.02
	<b>ISO DN08</b>	LMB3.U08.U00.35.0	13.50	10.30	27.00	18.00	25.00			0.02
	<b>ISO DN10</b>	LMB3.U10.U00.35.0	17.20	14.00	27.00	18.00	50.50			0.09
	<b>ISO DN15</b>	LMB3.U15.U00.35.0	21.30	18.10	27.00	18.00	50.50			0.09
	<b>ISO DN20</b>	LMB3.U20.U00.35.0	26.90	23.70	27.00	18.00	50.50			0.08
	<b>ISO DN25</b>	LMB3.U25.U00.35.0	33.70	29.70	27.00	18.00	50.50			0.08
	<b>ISO DN32</b>	LMB3.U32.U00.35.0	42.40	38.40	30.00	21.00	64.00			0.13
	<b>ISO DN40</b>	LMB3.U40.U00.35.0	48.30	44.30	30.00	21.00	64.00			0.11
	<b>ISO DN 50</b>	LMB3.U50.U00.35.0	60.30	56.30	30.00	21.00	77.50			0.14
	<b>ISO DN 65</b>	LMB3.U65.U00.35.0	76.10	72.10	30.00	21.00	91.00			0.15
	<b>ISO DN 80</b>	LMB3.U80.U00.35.0	88.90	84.30	30.00	21.00	106.00			0.22
<b>ISO DN 100</b>	LMB3.U100.U00.35.0	114.30	109.70	30.00	21.00	144.50			0.45	



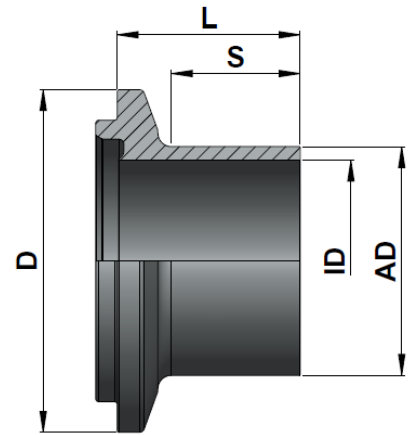
**bio-plus® C Nutklemmstutzen**



	Größe	Artikel-Nr.	AD [mm]	ID [mm]	L [mm]	S [mm]	D [mm]			Gewicht [kg]
<b>BSOD-Abmessung</b>	<b>BSOD 1/4"</b>	LMB3.Q02.Q00.35.0	6.35	4.57	27.00	18.00	25.00			0.02
	<b>BSOD 3/8"</b>	LMB3.Q03.Q00.35.0	9.53	7.75	27.00	18.00	25.00			0.02
	<b>BSOD 1/2"</b>	LMB3.Q05.Q00.35.0	12.70	9.40	27.00	18.00	25.00			0.02
	<b>BSOD 3/4"</b>	LMB3.Q07.Q00.35.0	19.05	15.75	27.00	18.00	50.50			0.09
	<b>BSOD 1"</b>	LMB3.Q10.Q00.35.0	25.40	22.10	27.00	18.00	50.50			0.08
	<b>BSOD 1 1/2"</b>	LMB3.Q15.Q00.35.0	38.10	34.80	30.00	21.00	50.50			0.06
	<b>BSOD 2"</b>	LMB3.Q20.Q00.35.0	50.80	47.50	30.00	21.00	64.00			0.09
	<b>BSOD 2 1/2"</b>	LMB3.Q25.Q00.35.0	63.50	60.20	30.00	21.00	77.50			0.11
	<b>BSOD DN 3"</b>	LMB3.Q30.Q00.35.0	76.20	72.90	30.00	21.00	91.00			0.14
	<b>BSOD DN 4"</b>	LMB3.Q40.Q00.35.0	101.60	97.38	30.00	21.00	119.00			0.24
<b>SMS-Abmessung</b>	<b>SMS DN06</b>	LMB3.L06.L00.35.0	8.00	6.00	27.00	18.00	25.00			0.02
	<b>SMS DN08</b>	LMB3.L08.L00.35.0	10.00	8.00	27.00	18.00	25.00			0.02
	<b>SMS DN10</b>	LMB3.L10.L00.35.0	12.00	10.00	27.00	18.00	25.00			0.02
	<b>SMS DN15</b>	LMB3.L15.L00.35.0	18.00	16.00	27.00	18.00	50.50			0.02
	<b>SMS DN20</b>	LMB3.L20.L00.35.0	22.00	20.00	27.00	18.00	50.50			0.09
	<b>SMS DN25</b>	LMB3.L25.L00.35.0	25.00	22.60	27.00	18.00	50.50			0.08
	<b>SMS DN32</b>	LMB3.L32.L00.35.0	32.00	29.60	27.00	18.00	50.50			0.06
	<b>SMS DN40</b>	LMB3.L40.L00.35.0	38.00	35.60	30.00	21.00	64.00			0.12
	<b>SMS DN50</b>	LMB3.L50.L00.35.0	51.00	48.60	30.00	21.00	77.50			0.15
	<b>SMS DN65</b>	LMB3.L65.L00.35.0	63.50	60.30	30.00	21.00	77.50			0.12
	<b>SMS DN80</b>	LMB3.L80.L00.35.0	76.10	72.90	30.00	21.00	91.00			0.14
<b>SMS D100</b>	LMB3.L100.L00.35.0	101.60	97.60	30.00	21.00	119.00			0.23	



**bio-plus® C Bundklemmstutzen**

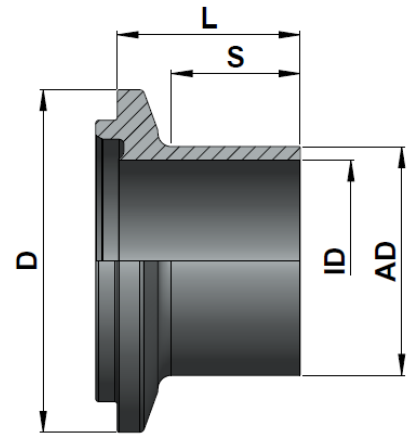


	Größe	Artikel-Nr.	AD [mm]	ID [mm]	L [mm]	S [mm]	D [mm]			Gewicht [kg]
DIN Abmessung	<b>DIN DN04</b>	LMA3.X04.X00.35.0	6.00	4.00	27.00	18.00	25.00			0.02
	<b>DIN DN06</b>	LMA3.X06.X00.35.0	8.00	6.00	27.00	18.00	25.00			0.02
	<b>DIN DN08</b>	LMA3.X08.X00.35.0	10.00	8.00	27.00	18.00	25.00			0.02
	<b>DIN DN10</b>	LMA3.X10.X00.35.0	12.00	10.00	27.00	18.00	25.00			0.02
	<b>DIN DN10</b>	LMA3.X10.X00.35.0-1	13.00	10.00	27.00	18.00	25.00			0.03
	<b>DIN DN15</b>	LMA3.X15.X00.35.0	19.00	16.00	27.00	18.00	50.50			0.10
	<b>DIN DN20</b>	LMA3.X20.X00.35.0	23.00	20.00	27.00	18.00	50.50			0.10
	<b>DIN DN25</b>	LMA3.X25.X00.35.0	29.00	26.00	27.00	18.00	50.50			0.09
	<b>DIN DN32</b>	LMA3.X32.X00.35.0	35.00	32.00	30.00	18.00	50.50			0.08
	<b>DIN DN40</b>	LMA3.X40.X00.35.0	41.00	38.00	30.00	21.00	64.00			0.14
	<b>DIN DN 50</b>	LMA3.X50.X00.35.0	53.00	50.00	30.00	21.00	77.50			0.18
	<b>DIN DN 65</b>	LMA3.X65.X00.35.0	70.00	66.00	30.00	21.00	91.00			0.23
	<b>DIN DN 80</b>	LMA3.X80.X00.35.0	85.00	81.00	30.00	21.00	106.00			0.28
<b>DIN DN 100</b>	LMA3.X100.X00.35.0	104.00	100.00	30.00	21.00	130.00			0.40	
ISO Abmessung	<b>ISO DN06</b>	LMA3.U06.U00.35.0	10.20	7.00	27.00	18.00	25.00			0.03
	<b>ISO DN08</b>	LMA3.U08.U00.35.0	13.50	10.30	27.00	18.00	25.00			0.03
	<b>ISO DN10</b>	LMA3.U10.U00.35.0	17.20	14.00	27.00	18.00	50.50			0.10
	<b>ISO DN15</b>	LMA3.U15.U00.35.0	21.30	18.10	27.00	18.00	50.50			0.10
	<b>ISO DN20</b>	LMA3.U20.U00.35.0	26.90	23.70	27.00	18.00	50.50			0.10
	<b>ISO DN25</b>	LMA3.U25.U00.35.0	33.70	29.70	27.00	18.00	50.50			0.10
	<b>ISO DN32</b>	LMA3.U32.U00.35.0	42.40	38.40	30.00	21.00	64.00			0.15
	<b>ISO DN40</b>	LMA3.U40.U00.35.0	48.30	44.30	30.00	21.00	64.00			0.14
	<b>ISO DN 50</b>	LMA3.U50.U00.35.0	60.30	56.30	30.00	21.00	77.50			0.18
	<b>ISO DN 65</b>	LMA3.U65.U00.35.0	76.10	72.10	30.00	21.00	91.00			0.20
	<b>ISO DN 80</b>	LMA3.U80.U00.35.0	88.90	84.30	30.00	21.00	106.00			0.27
<b>ISO DN 100</b>	LMA3.U100.U00.35.0	114.30	109.70	30.00	21.00	144.50			0.52	





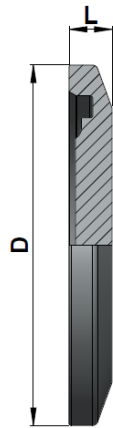
**bio-plus® C Bundklemmstutzen**



	Größe	Artikel-Nr.	AD [mm]	ID [mm]	L [mm]	S [mm]	D [mm]			Gewicht [kg]
BSOD-Abmessung	BSOD 1/4"	LMA3.Q02.Q00.35.0	6.35	4.57	27.00	18.00	25.00			0.02
	BSOD 3/8"	LMA3.Q03.Q00.35.0	9.53	7.75	27.00	18.00	25.00			0.02
	BSOD 1/2"	LMA3.Q05.Q00.35.0	12.70	9.40	27.00	18.00	25.00			0.03
	BSOD 3/4"	LMA3.Q07.Q00.35.0	19.05	15.75	27.00	18.00	50.50			0.10
	BSOD 1"	LMA3.Q10.Q00.35.0	25.40	22.10	27.00	18.00	50.50			0.10
	BSOD 1 1/2"	LMA3.Q15.Q00.35.0	38.10	34.80	27.00	18.00	50.50			0.08
	BSOD 2"	LMA3.Q20.Q00.35.0	50.80	47.50	30.00	21.00	64.00			0.12
	BSOD 2 1/2"	LMA3.Q25.Q00.35.0	63.50	60.20	30.00	21.00	77.50			0.15
	BSOD DN 3"	LMA3.Q30.Q00.35.0	76.20	72.90	30.00	21.00	91.00			0.18
	BSOD DN 4"	LMA3.Q40.Q00.35.0	101.60	97.38	30.00	21.00	119.00			0.30
SMS-Abmessung	SMS DN06	LMA3.L06.L00.35.0	8.00	6.00	27.00	18.00	25.00			0.02
	SMS DN08	LMA3.L08.L00.35.0	10.00	8.00	27.00	18.00	25.00			0.02
	SMS DN10	LMA3.L10.L00.35.0	12.00	10.00	27.00	18.00	25.00			0.02
	SMS DN15	LMA3.L15.L00.35.0	18.00	16.00	27.00	18.00	50.50			0.10
	SMS DN20	LMA3.L20.L00.35.0	22.00	20.00	27.00	18.00	50.50			0.09
	SMS DN25	LMA3.L25.L00.35.0	25.00	22.60	27.00	18.00	50.50			0.09
	SMS DN32	LMA3.L32.L00.35.0	32.00	29.60	27.00	18.00	50.50			0.08
	SMS DN40	LMA3.L40.L00.35.0	38.00	35.60	30.00	21.00	64.00			0.14
	SMS DN50	LMA3.L50.L00.35.0	51.00	48.60	30.00	21.00	77.50			0.18
	SMS DN65	LMA3.L65.L00.35.0	63.50	60.30	30.00	21.00	77.50			0.14
	SMS DN80	LMA3.L80.L00.35.0	76.10	72.90	30.00	20.00	91.00			0.18
SMS D100	LMA3.L100.L00.35.0	101.60	97.60	30.00	20.00	119.00			0.29	



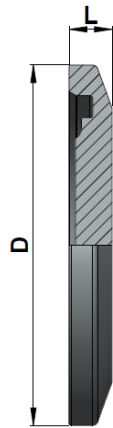
**bio-plus® C Nutblinddeckel**



	Größe	Artikel-Nr.	D [mm]	L [mm]						Gewicht [kg]
DIN Abmessung	DIN DN04	LMG0.X04.X00.35.0	25.00	5.50						0.02
	DIN DN06	LMG0.X06.X00.35.0	25.00	5.50						0.02
	DIN DN08	LMG0.X08.X00.35.0	25.00	5.50						0.02
	DIN DN10	LMG0.X10.X00.35.0	25.00	5.50						0.01
	DIN DN15	LMG0.X15.X00.35.0	50.50	6.00						0.08
	DIN DN20	LMG0.X20.X00.35.0	50.50	6.00						0.08
	DIN DN25	LMG0.X25.X00.35.0	50.50	6.00						0.07
	DIN DN32	LMG0.X32.X00.35.0	50.50	6.00						0.07
	DIN DN40	LMG0.X40.X00.35.0	64.00	6.50						0.13
	DIN DN 50	LMG0.X50.X00.35.0	77.50	6.50						0.19
	DIN DN 65	LMG0.X65.X00.35.0	91.00	7.00						0.28
	DIN DN 80	LMG0.X80.X00.35.0	106.00	7.00						0.37
DIN DN 100	LMG0.X100.X00.35.0	130.00	8.00						0.65	
ISO Abmessung	ISO DN06	LMG0.U06.U00.35.0	25.00	5.50						0.02
	ISO DN08	LMG0.U08.U00.35.0	25.00	5.50						0.01
	ISO DN10	LMG0.U10.U00.35.0	50.50	6.00						0.08
	ISO DN15	LMG0.U15.U00.35.0	50.50	6.00						0.08
	ISO DN20	LMG0.U20.U00.35.0	50.50	6.00						0.07
	ISO DN25	LMG0.U25.U00.35.0	50.50	6.00						0.07
	ISO DN32	LMG0.U32.U00.35.0	64.00	6.50						0.13
	ISO DN40	LMG0.U40.U00.35.0	64.00	6.50						0.12
	ISO DN 50	LMG0.U50.U00.35.0	77.50	6.50						0.18
	ISO DN 65	LMG0.U65.U00.35.0	91.00	7.00						0.26
	ISO DN 80	LMG0.U80.U00.35.0	106.00	7.00						0.36
	ISO DN 100	LMG0.U100.U00.35.0	144.50	8.00						0.84



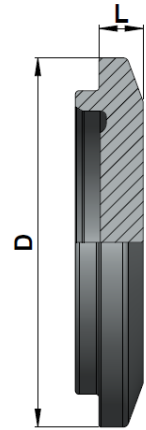
**bio-plus® C Nutblinddeckel**



	Größe	Artikel-Nr.	D [mm]	L [mm]						Gewicht [kg]
<b>BSOD-Abmessung</b>	<b>BSOD 1/4"</b>	LMG0.Q02.Q00.35.0	25.00	5.50						0.02
	<b>BSOD 3/8"</b>	LMG0.Q03.Q00.35.0	25.00	5.50						0.02
	<b>BSOD 1/2"</b>	LMG0.Q05.Q00.35.0	25.00	5.50						0.01
	<b>BSOD 3/4"</b>	LMG0.Q07.Q00.35.0	50.50	6.00						0.08
	<b>BSOD 1"</b>	LMG0.Q10.Q00.35.0	50.50	6.00						0.07
	<b>BSOD 1 1/2"</b>	LMG0.Q15.Q00.35.0	50.50	6.00						0.07
	<b>BSOD 2"</b>	LMG0.Q20.Q00.35.0	64.00	6.50						0.12
	<b>BSOD 2 1/2"</b>	LMG0.Q25.Q00.35.0	77.50	6.50						0.18
	<b>BSOD DN 3"</b>	LMG0.Q30.Q00.35.0	91.00	7.00						0.27
	<b>BSOD DN 4"</b>	LMG0.Q40.Q00.35.0	119.00	7.00						0.48
<b>SMS-Abmessung</b>	<b>SMS DN06</b>	LMG0.L06.L00.35.0	25.00	5.50						0.02
	<b>SMS DN08</b>	LMG0.L08.L00.35.0	25.00	5.50						0.02
	<b>SMS DN10</b>	LMG0.L10.L00.35.0	25.00	5.50						0.01
	<b>SMS DN15</b>	LMG0.L15.L00.35.0	50.50	6.00						0.08
	<b>SMS DN20</b>	LMG0.L20.L00.35.0	50.50	6.00						0.08
	<b>SMS DN25</b>	LMG0.L25.L00.35.0	50.50	6.00						0.07
	<b>SMS DN32</b>	LMG0.L32.L00.35.0	50.50	6.00						0.07
	<b>SMS DN40</b>	LMG0.L40.L00.35.0	64.00	6.50						0.13
	<b>SMS DN50</b>	LMG0.L50.L00.35.0	77.50	6.50						0.19
	<b>SMS DN65</b>	LMG0.L65.L00.35.0	77.50	6.50						0.18
	<b>SMS DN80</b>	LMG0.L80.L00.35.0	91.00	7.00						0.27
<b>SMS D100</b>	LMG0.L100.L00.35.0	119.00	7.00						0.46	



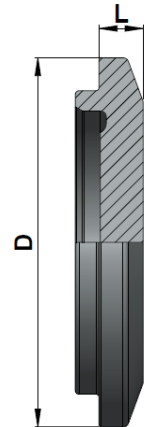
**bio-plus® C Bundblinddeckel**



	Größe	Artikel-Nr.	D [mm]	L [mm]						Gewicht [kg]
DIN Abmessung	DIN DN04	LMF0.X04.X00.35.0	25.00	5.50						0.02
	DIN DN06	LMF0.X06.X00.35.0	25.00	5.50						0.02
	DIN DN08	LMF0.X08.X00.35.0	25.00	5.50						0.02
	DIN DN10	LMF0.X10.X00.35.0	25.00	5.50						0.02
	DIN DN15	LMF0.X15.X00.35.0	50.50	6.00						0.09
	DIN DN20	LMF0.X20.X00.35.0	50.50	6.00						0.09
	DIN DN25	LMF0.X25.X00.35.0	50.50	6.00						0.09
	DIN DN32	LMF0.X32.X00.35.0	50.50	6.00						0.09
	DIN DN40	LMF0.X40.X00.35.0	64.00	6.50						0.17
	DIN DN 50	LMF0.X50.X00.35.0	77.50	6.50						0.23
	DIN DN 65	LMF0.X65.X00.35.0	91.00	7.00						0.34
	DIN DN 80	LMF0.X80.X00.35.0	106.00	7.00						0.46
DIN DN 100	LMF0.X100.X00.35.0	130.00	8.00						0.78	
ISO Abmessung	ISO DN06	LMF0.U06.U00.35.0	25.00	5.50						0.02
	ISO DN08	LMF0.U08.U00.35.0	25.00	5.50						0.02
	ISO DN10	LMF0.U10.U00.35.0	50.50	6.00						0.09
	ISO DN15	LMF0.U15.U00.35.0	50.50	6.00						0.09
	ISO DN20	LMF0.U20.U00.35.0	50.50	6.00						0.09
	ISO DN25	LMF0.U25.U00.35.0	50.50	6.00						0.09
	ISO DN32	LMF0.U32.U00.35.0	64.00	6.50						0.16
	ISO DN40	LMF0.U40.U00.35.0	64.00	6.50						0.16
	ISO DN 50	LMF0.U50.U00.35.0	77.50	6.50						0.24
	ISO DN 65	LMF0.U65.U00.35.0	91.00	7.00						0.34
	ISO DN 80	LMF0.U80.U00.35.0	106.00	7.00						0.45
	ISO DN 100	LMF0.U100.U00.35.0	144.50	8.00						0.93



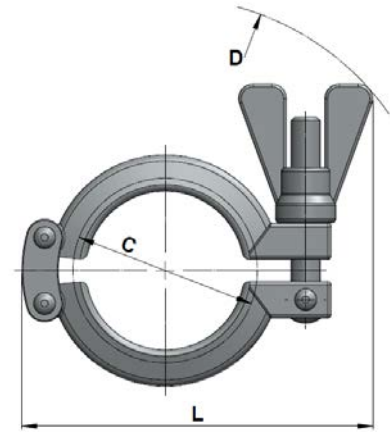
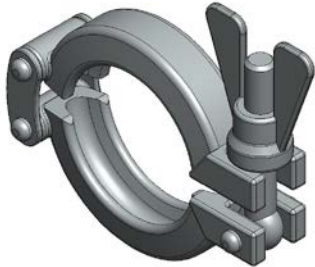
**bio-plus® C Bundblinddeckel**



	Größe	Artikel-Nr.	D [mm]	L [mm]						Gewicht [kg]
BSOD-Abmessung	BSOD 1/4"	LMF0.Q02.Q00.35.0	25.00	5.50						0.02
	BSOD 3/8"	LMF0.Q03.Q00.35.0	25.00	5.50						0.02
	BSOD 1/2"	LMF0.Q05.Q00.35.0	25.00	5.50						0.02
	BSOD 3/4"	LMF0.Q07.Q00.35.0	50.50	5.50						0.09
	BSOD 1"	LMF0.Q10.Q00.35.0	50.50	6.00						0.09
	BSOD 1 1/2"	LMF0.Q15.Q00.35.0	50.50	6.00						0.09
	BSOD 2"	LMF0.Q20.Q00.35.0	64.00	6.50						0.16
	BSOD 2 1/2"	LMF0.Q25.Q00.35.0	77.50	6.50						0.23
	BSOD DN 3"	LMF0.Q30.Q00.35.0	91.00	7.00						0.35
	BSOD DN 4"	LMF0.Q40.Q00.35.0	119.00	7.00						0.59
SMS-Abmessung	SMS DN06	LMF0.L06.L00.35.0	25.00	5.50						0.02
	SMS DN08	LMF0.L08.L00.35.0	25.00	5.50						0.02
	SMS DN10	LMF0.L10.L00.35.0	25.00	5.50						0.02
	SMS DN15	LMF0.L15.L00.35.0	50.50	6.00						0.09
	SMS DN20	LMF0.L20.L00.35.0	50.50	6.00						0.09
	SMS DN25	LMF0.L25.L00.35.0	50.50	6.00						0.09
	SMS DN32	LMF0.L32.L00.35.0	50.50	6.00						0.09
	SMS DN40	LMF0.L40.L00.35.0	64.00	6.50						0.16
	SMS DN50	LMF0.L50.L00.35.0	77.50	6.50						0.23
	SMS DN65	LMF0.L65.L00.35.0	77.50	6.50						0.22
	SMS DN80	LMF0.L80.L00.35.0	91.00	7.00						0.34
SMS D100	LMF0.L100.L00.35.0	119.00	7.00						0.59	



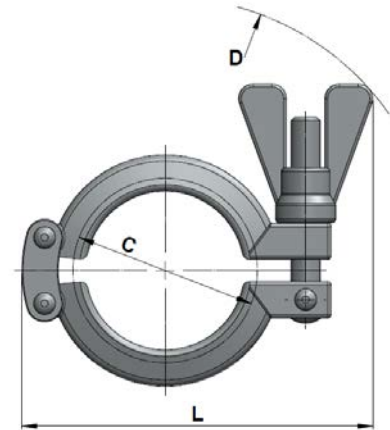
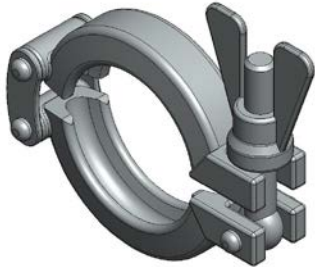
**bio-plus® C Klammer**



	Größe	Artikel-Nr.	C [mm]	D [mm]	L [mm]					Gewicht [kg]
DIN Abmessung	DIN DN04	LMC7.U08.U00.01.0	25.00	130.00	64.00					0.14
	DIN DN06	LMC7.U08.U00.01.0	25.00	130.00	64.00					0.14
	DIN DN08	LMC7.U08.U00.01.0	25.00	130.00	64.00					0.14
	DIN DN10	LMC7.U08.U00.01.0	25.00	130.00	64.00					0.14
	DIN DN15	LMC7.U25.U00.01.0	50.50	154.00	93.00					0.22
	DIN DN20	LMC7.U25.U00.01.0	50.50	154.00	93.00					0.22
	DIN DN25	LMC7.U25.U00.01.0	50.50	154.00	93.00					0.22
	DIN DN32	LMC7.U40.U00.01.0	64.00	180.00	108.00					0.26
	DIN DN40	LMC7.U40.U00.01.0	64.00	180.00	108.00					0.26
	DIN DN50	LMC7.U50.U00.01.0	77.50	200.00	125.00					0.29
	DIN DN65	LMC7.U65.U00.01.0	91.00	205.00	139.00					0.36
DIN DN80	LMC7.U80.U00.01.0	106.00	216.00	144.00					0.39	
DIN DN100	LMC7.U100.U01.01.0	130.00	224.00	182.00					0.46	
ISO Abmessung	ISO DN06	LMC7.U08.U00.01.0	25.00	130.00	64.00					0.14
	ISO DN08	LMC7.U08.U00.01.0	25.00	130.00	64.00					0.14
	ISO DN10	LMC7.U25.U00.01.0	50.50	154.00	93.00					0.22
	ISO DN15	LMC7.U25.U00.01.0	50.50	154.00	93.00					0.22
	ISO DN20	LMC7.U25.U00.01.0	50.50	154.00	93.00					0.22
	ISO DN25	LMC7.U25.U00.01.0	50.50	154.00	93.00					0.22
	ISO DN32	LMC7.U40.U00.01.0	64.00	180.00	108.00					0.26
	ISO DN40	LMC7.U40.U00.01.0	64.00	180.00	108.00					0.26
	ISO DN50	LMC7.U50.U00.01.0	77.50	200.00	125.00					0.29
	ISO DN65	LMC7.U65.U00.01.0	91.00	205.00	139.00					0.36
	ISO DN80	LMC7.U80.U00.01.0	106.00	216.00	144.00					0.39
ISO DN100	LMC7.U100.U00.01.0	144.50	237.00	195.00					0.50	



**bio-plus® C Klammer**



	Größe	Artikel-Nr.	C [mm]	D [mm]	L [mm]				
BSOD-Abmessung	BSOD 1/4"	LMC7.U08.U00.01.0	25.00	130.00	64.00				0.14
	BSOD 3/8"	LMC7.U08.U00.01.0	25.00	130.00	64.00				0.14
	BSOD 1/2"	LMC7.U08.U00.01.0	25.00	130.00	64.00				0.14
	BSOD 3/4"	LMC7.U25.U00.01.0	50.50	154.00	93.00				0.22
	BSOD 1"	LMC7.U25.U00.01.0	50.50	154.00	93.00				0.22
	BSOD 1 1/2"	LMC7.U25.U00.01.0	50.50	154.00	93.00				0.22
	BSOD 2"	LMC7.U40.U00.01.0	64.00	180.00	108.00				0.26
	BSOD 2 1/2"	LMC7.U50.U00.01.0	77.50	200.00	125.00				0.29
	BSOD 3"	LMC7.U65.U00.01.0	91.00	205.00	139.00				0.36
	BSOD 42	LMC7.Q65.Q00.01.0	119.00	214.00	173.00				0.44
SMS-Abmessung	SMS DN06	LMC7.U08.U00.01.0	25.00	130.00	64.00				0.14
	SMS DN08	LMC7.U08.U00.01.0	25.00	130.00	64.00				0.14
	SMS DN10	LMC7.U08.U00.01.0	25.00	130.00	64.00				0.14
	SMS DN15	LMC7.U25.U00.01.0	50.50	154.00	93.00				0.22
	SMS DN20	LMC7.U25.U00.01.0	50.50	154.00	93.00				0.22
	SMS DN25	LMC7.U25.U00.01.0	50.50	154.00	93.00				0.22
	SMS DN32	LMC7.U25.U00.01.0	50.50	154.00	93.00				0.22
	SMS DN40	LMC7.U40.U00.01.0	64.00	180.00	108.00				0.26
	SMS DN50	LMC7.U50.U00.01.0	77.50	200.00	125.00				0.29
	SMS DN65	LMC7.U50.U00.01.0	77.50	205.00	139.00				0.29
SMS DN80	LMC7.U65.U00.01.0	91.00	216.00	144.00				0.36	
SMS DN100	LMC7.Q65.Q00.01.0	119.00	237.00	195.00				0.44	



**bio-plus® C O-Ringe**



	Größe	Artikel-Nr. EPDM	Artikel-Nr. FEP/ Silikonkern	Artikel-Nr. FKM
DIN Abmessung	DIN DN04	LM01.D04.00.EP.0	LM01.D04.00.FE.3	LM01.D04.00.VI.2
	DIN DN06	LM01.D06.00.EP.0	LM01.D06.00.FE.3	LM01.D06.00.VI.2
	DIN DN08	LM01.D08.00.EP.0	LM01.D08.00.FE.3	LM01.D08.00.VI.2
	DIN DN10	LM01.D10.00.EP.0	LM01.D10.00.FE.3	LM01.D10.00.VI.2
	DIN DN15	LM01.D15.00.EP.0	LM01.D15.00.FE.3	LM01.D15.00.VI.2
	DIN DN20	LM01.D20.00.EP.0	LM01.D20.00.FE.3	LM01.D20.00.VI.2
	DIN DN25	LM01.D25.00.EP.0	LM01.D25.00.FE.3	LM01.D25.00.VI.2
	DIN DN32	LM01.D32.00.EP.0	LM01.D32.00.FE.3	LM01.D32.00.VI.2
	DIN DN40	LM01.D40.00.EP.0	LM01.D40.00.FE.3	LM01.D40.00.VI.2
	DIN DN50	LM01.D50.00.EP.0	LM01.D50.00.FE.3	LM01.D50.00.VI.2
	DIN DN65	LM01.D65.00.EP.0	LM01.D65.00.FE.3	LM01.D65.00.VI.2
DIN DN80	LM01.D80.00.EP.0	LM01.D80.00.FE.3	LM01.D80.00.VI.2	
DIN DN100	LM01.D100.00.EP.0	LM01.D100.00.FE.3	LM01.D100.00.VI.2	
ISO Abmessung	ISO DN06	LM01.N06.00.EP.0	LM01.N06.00.FE.3	LM01.N06.00.VI.2
	ISO DN08	LM01.N08.00.EP.0	LM01.N08.00.FE.3	LM01.N08.00.VI.2
	ISO DN10	LM01.N10.00.EP.0	LM01.N10.00.FE.3	LM01.N10.00.VI.2
	ISO DN15	LM01.N15.00.EP.0	LM01.N15.00.FE.3	LM01.N15.00.VI.2
	ISO DN20	LM01.N20.00.EP.0	LM01.N20.00.FE.3	LM01.N20.00.VI.2
	ISO DN25	LM01.N25.00.EP.0	LM01.N25.00.FE.3	LM01.N25.00.VI.2
	ISO DN32	LM01.N32.00.EP.0	LM01.N32.00.FE.3	LM01.N32.00.VI.2
	ISO DN40	LM01.N40.00.EP.0	LM01.N40.00.FE.3	LM01.N40.00.VI.2
	ISO DN50	LM01.N50.00.EP.0	LM01.N50.00.FE.3	LM01.N50.00.VI.2
	ISO DN65	LM01.N65.00.EP.0	LM01.N65.00.FE.3	LM01.N65.00.VI.2
	ISO DN80	LM01.N80.00.EP.0	LM01.N80.00.FE.3	LM01.N80.00.VI.2
ISO DN100	LM01.N100.00.EP.0	LM01.N100.00.FE.3	LM01.N100.00.VI.2	





**bio-plus® C O-Ringe**



	Größe	Artikel-Nr. EPDM	Artikel-Nr. FEP	Artikel-Nr. FKM
<b>BSOD-Abmessung</b>	<b>BSOD 1/4"</b>	LM01.K02.00.EP.0	LM01.K02.00.FE.3	LM01.K02.00.VI.2
	<b>BSOD 3/8"</b>	LM01.K03.00.EP.0	LM01.K03.00.FE.3	LM01.K03.00.VI.2
	<b>BSOD 1/2"</b>	LM01.K05.00.EP.0	LM01.K05.00.FE.3	LM01.K05.00.VI.2
	<b>BSOD 3/4"</b>	LM01.K07.00.EP.0	LM01.K07.00.FE.3	LM01.K07.00.VI.2
	<b>BSOD 1"</b>	LM01.K10.00.EP.0	LM01.K10.00.FE.3	LM01.K10.00.VI.2
	<b>BSOD 1 1/2"</b>	LM01.K15.00.EP.0	LM01.K15.00.FE.3	LM01.K15.00.VI.2
	<b>BSOD 2"</b>	LM01.K20.00.EP.0	LM01.K20.00.FE.3	LM01.K20.00.VI.2
	<b>BSOD 2 1/2"</b>	LM01.K25.00.EP.0	LM01.K25.00.FE.3	LM01.K25.00.VI.2
	<b>BSOD 3"</b>	LM01.K30.00.EP.0	LM01.K30.00.FE.3	LM01.K30.00.VI.2
	<b>BSOD 4"</b>	LM01.K40.00.EP.0	LM01.K40.00.FE.3	LM01.K40.00.VI.2
<b>SMS-Abmessung</b>	<b>SMS DN06</b>	LM01.D06.00.EP.0	LM01.D06.00.FE.3	LM01.D06.00.VI.2
	<b>SMS DN08</b>	LM01.D08.00.EP.0	LM01.D08.00.FE.3	LM01.D08.00.VI.2
	<b>SMS DN10</b>	LM01.D10.00.EP.0	LM01.D10.00.FE.3	LM01.D10.00.VI.2
	<b>SMS DN15</b>	LM01.K07.00.EP.0	LM01.K07.00.FE.3	LM01.K07.00.VI.2
	<b>SMS DN20</b>	LM01.D20.00.EP.0	LM01.D20.00.FE.3	LM01.D20.00.VI.2
	<b>SMS DN25</b>	LM01.K10.00.EP.0	LM01.K10.00.FE.3	LM01.K10.00.VI.2
	<b>SMS DN32</b>	LM01.N25.00.EP.0	LM01.N25.00.FE.3	LM01.N25.00.VI.2
	<b>SMS DN40</b>	LM01.K15.00.EP.0	LM01.K15.00.FE.3	LM01.K15.00.VI.2
	<b>SMS DN50</b>	LM01.K20.00.EP.0	LM01.K20.00.FE.3	LM01.K20.00.VI.2
	<b>SMS DN65</b>	LM01.K25.00.EP.0	LM01.K25.00.FE.3	LM01.K25.00.VI.2
	<b>SMS DN80</b>	LM01.K30.00.EP.0	LM01.K30.00.FE.3	LM01.K30.00.VI.2
	<b>SMS DN100</b>	LM01.E100.00.EP.0	LM01.E100.00.FE.3	LM01.E100.00.VI.2



## bio-plus® C Erweitertes Produktsortiment



Nutklemmstutzen  
Reduktion  
Typ LMI0



Nutklemmstutzen  
Erweiterung  
Typ LMM0



Bundklemmstutzen  
Reduktion  
Typ LMK0



Bundklemmstutzen  
Erweiterung  
Typ LML0



Nutklemm-  
Endstutzen  
Typ LMH0

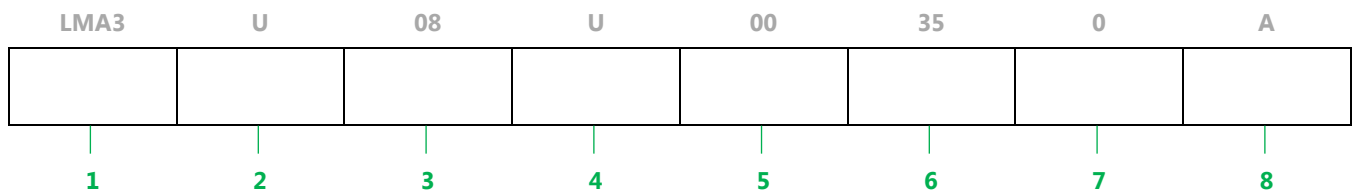


Bundklemm-  
Endstutzen  
Typ LME0



## bio-plus® C Bestellschlüssel

Bestellbeispiel: **LMA3 . U 08 . U 00 . 35 . 0 . A**



### 1. Artikel

<b>LMAA</b>	Klemmverbindung kompl.
<b>LMA3</b>	Bundklemmstutzen
<b>LMB3</b>	Nutklemmstutzen
<b>LMF0</b>	Bundblinddeckel
<b>LMG0</b>	Nutblinddeckel
<b>LM01</b>	O-Ring Materialspezifikation
<b>LMC7</b>	Klammer

**weitere Ausführungen**

<b>LMK0</b>	Bundklemmstutzen Reduktion
<b>LMIO</b>	Nutklemmstutzen Reduktion
<b>LML0</b>	Bundklemmstutzen Erweiterung
<b>LMM0</b>	Nutklemmstutzen Erweiterung
<b>LME0</b>	Bundklemm-Endstutzen
<b>LMH0</b>	Nutklemm-Endstutzen

### 2. Norm

<b>X</b>	DIN Abmessung
<b>U</b>	ISO Abmessung
<b>Q</b>	BSOD Abmessung
<b>L</b>	SMS Abmessung

### 3. Nennweite (siehe Tabelle 22/1)

<b>02</b>	Nennweite DN02
<b>03</b>	Nennweite DN03
<b>04</b>	Nennweite DN04
<b>06</b>	Nennweite DN06
<b>07</b>	Nennweite DN 07
<b>08</b>	Nennweite DN08
<b>10</b>	Nennweite DN10
<b>15</b>	Nennweite DN15
<b>20</b>	Nennweite DN20
<b>25</b>	Nennweite DN25
<b>30</b>	Nennweite DN30
<b>32</b>	Nennweite DN32
<b>40</b>	Nennweite DN40
<b>50</b>	Nennweite DN50
<b>65</b>	Nennweite DN65



<b>80</b>	Nennweite DN80
<b>100</b>	Nennweite DN100

## 4. Norm

<b>X</b>	DIN Abmessung
<b>U</b>	ISO Abmessung
<b>Q</b>	BSOD Abmessung
<b>L</b>	SMS Abmessung

## 5. Nennweite (siehe Tabelle 22/1)

<b>00</b>	Standard Schweissanschluss
<b>02</b>	Nennweite DN02
<b>03</b>	Nennweite DN03
<b>04</b>	Nennweite DN04
<b>05</b>	Nennweite DN05
<b>06</b>	Nennweite DN06
<b>07</b>	Nennweite DN07
<b>08</b>	Nennweite DN08
<b>10</b>	Nennweite DN10
<b>15</b>	Nennweite DN15
<b>20</b>	Nennweite DN20
<b>25</b>	Nennweite DN25
<b>30</b>	Nennweite DN30
<b>32</b>	Nennweite DN32
<b>40</b>	Nennweite DN40
<b>50</b>	Nennweite DN50
<b>65</b>	Nennweite DN65
<b>80</b>	Nennweite DN80
<b>100</b>	Nennweite DN100

## 6. Material

<b>16</b>	1.4404 (316L)
<b>35</b>	1.4435 BN2
<b>39</b>	1.4539
<b>22</b>	2.4602 (Hastelloy C22)
<b>05</b>	1.4305
<b>01</b>	1.4301

## 7. Dichtungsmaterial

<b>0</b>	EPDM
<b>1</b>	Silikon
<b>2</b>	FKM
<b>3</b>	FEP (Silikonkern)
<b>4</b>	PEEK
<b>5</b>	FFKM



## 8. Oberfläche

---

<b>A</b>	Innenoberfläche Ra 0.8; elektropliert
<b>B</b>	Innenoberfläche Ra 0.8; blank
<b>C</b>	Innenoberfläche Ra 0.6; elektropliert
<b>D</b>	Innenoberfläche Ra 0.6; blank
<b>E</b>	Innenoberfläche Ra 0.4; elektropliert
<b>F</b>	Innenoberfläche Ra 0.4; blank



## bio-plus® C Rohranschluss-Tabelle 22/1

Nennweite	DIN 11866			SMS Abmessung	Rohrgewinde Aussen konisch nach DIN 2999	Rohrgewinde Innen zylindrisch nach ISO 228-1
	Reihe A (ISO)	Reihe B (DIN)	Reihe C (BSOD)			
02			Ø6.35x0.89		R ¼"	G ¼"
03			Ø9.53x0.89		R 3/8"	G 3/8"
04		Ø6.00x1.00				
05			Ø12.70x1.65		R ½"	G ½"
06	Ø10.20x1.60	Ø8.00x1.00		Ø8.00x1.00		
07			Ø19.05x1.65		R ¾"	G ¾"
08	Ø13.50x1.60	Ø10.00x1.00		Ø10.00x1.00		
10	Ø17.20x1.60	Ø13.00x1.50	Ø25.40x1.65	Ø12.00x1.00	R 1"	G 1"
15	Ø21.30x1.60	Ø19.00x1.50	Ø38.10x1.65	Ø18.00x1.00	R 1 ½"	G 1 ½"
20	Ø26.90x1.60	Ø23.00x1.50	Ø50.80x1.65	Ø22.00x1.00	R 2"	G 2"
25	Ø33.70x1.60	Ø29.00x1.50		Ø25.00x1.20	R 2 ½"	G 2 ½"
30			Ø76.20x1.65		R 3"	G 3"
32	Ø42.40x2.00	Ø35.00x1.50		Ø32.00x1.20		
40	Ø48.30x2.00	Ø41.00x1.50	Ø101.60x2.11	Ø38.00x1.20		
50	Ø60.30x2.00	Ø53.00x1.50		Ø51.00x1.20		
65	Ø76.10x2.00	Ø70.00x2.00		Ø63.50x1.60		
80	Ø88.90x2.30	Ø85.00x2.00		Ø76.10x1.60		
100	Ø114.30x2.30	Ø104.00x2.00		Ø101.60x2.00		