

1.2.3 STERILE CLAMP CONNECTION BIOPLUS-C

TECHNICAL DATA

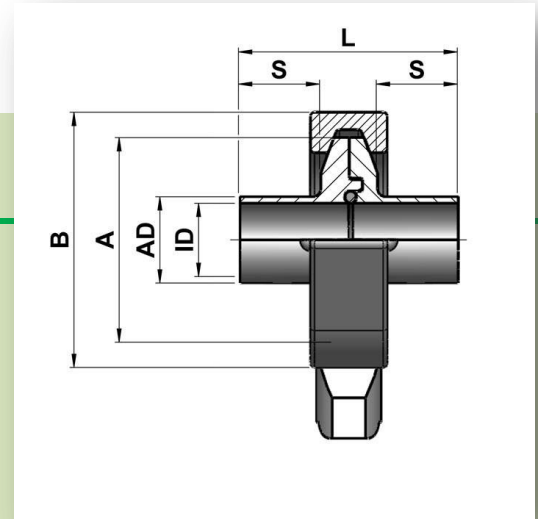
Standard sizes	<ul style="list-style-type: none"> • DIN DN04 - DIN DN40 • ISO DN06 - ISO DN40 • BSOD 1/2" - 2"
Material	<p>Medium contacted:</p> <ul style="list-style-type: none"> • Ws. 14435 BN2 (316L) • Special materials e.g. Hastelloy, Titan, 1.4539 etc. on request <p>Non medium contacted:</p> <ul style="list-style-type: none"> • 1.4305 or equivalent
Gasket	<p>Standard gaskets:</p> <ul style="list-style-type: none"> • EPDM • PTFE on order • Special materials on request
Surface quality	<p>Medium contacted:</p> <ul style="list-style-type: none"> • electro polished Ra < 0,6µm • other qualities on request <p>Non medium contacted:</p> <ul style="list-style-type: none"> • electro polished Ra > 1,6µm
Tracability	Product contacted material marked with material no. and heat no.
Media	Gases and liquids
Operating temperature	-10°C to +140°C See temperature resistance chart of gaskets
Operating pressure	16 bar at room temperature
Operating temperature gaskets	<ul style="list-style-type: none"> • EPDM: -40°C bis +90°C, short time up +140°C • PTFE: -60°C bis +160°C, short time up +205°C
Applicable standards	<p>Pipe dimensions:</p> <ul style="list-style-type: none"> • DIN (DIN11866 series A) • ISO (DIN11866 series B) • BSOD (DIN11866 series C)
Certification	<p>Medium contacted:</p> <ul style="list-style-type: none"> • EN 10204 / 3.1 <p>Gaskets:</p> <ul style="list-style-type: none"> • FDA-conform, USP-Class VI, TSE-free

1.2.3 STERILE CLAMP CONNECTION BIOPLUS-C

Note: Actual data to collect at www.LM-Biotech.ch. Specifications and design are subject to change without notice. Date of revision: 07/14



1.2.3 STERILE CLAMP CONNECTION BIOPLUS-C



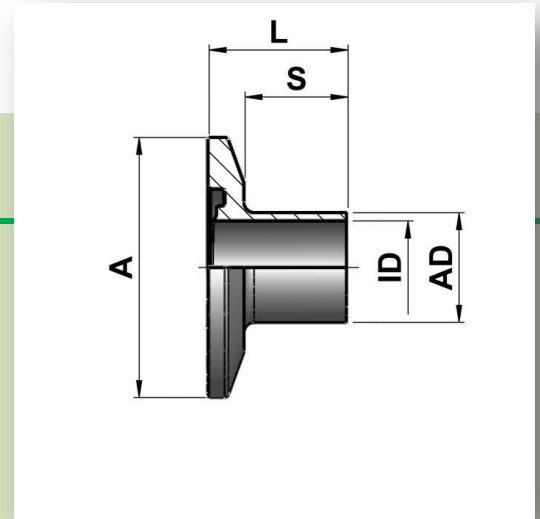
1.2.3.0 STERILE CLAMP CONNECTION COMPLETE

Size	Article no.	Pipe-AD [mm]	Pipe-ID [mm]	Length L [mm]	Length S [mm]	Diamet. A [mm]					
DIN DN04	0220 1004 0000 0301	6.00	4.00	54.00	18.00	25.00					
DIN DN06	0220 1006 0000 0301	8.00	6.00	54.00	18.00	25.00					
DIN DN08	0220 1008 0000 0301	10.00	8.00	54.00	18.00	25.00					
DIN DN10	0220 1010 0001 0301	13.00	10.00	54.00	18.00	25.00					
DIN DN15	0220 1015 0000 0301	19.00	16.00	54.00	18.00	50.50					
DIN DN20	0220 1020 0000 0301	23.00	20.00	54.00	18.00	50.50					
DIN DN25	0220 1025 0000 0301	29.00	26.00	54.00	18.00	50.50					
DIN DN32	0220 1032 0000 0301	35.00	32.00	60.00	20.00	64.00					
DIN DN40	0220 1040 0000 0301	41.00	38.00	60.00	20.00	64.00					
ISO DN06	0220 2006 0000 0301	10.20	7.00	54.00	18.00	25.00					
ISO DN08	0220 2008 0000 0301	13.50	10.30	54.00	18.00	25.00					
ISO DN10	0220 2010 0000 0301	17.20	14.00	54.00	18.00	50.50					
ISO DN15	0220 2015 0000 0301	21.30	18.10	54.00	18.00	50.50					
ISO DN20	0220 2020 0000 0301	26.90	23.90	54.00	18.00	50.50					
ISO DN25	0220 2025 0000 0301	33.70	29.70	54.00	18.00	50.50					
ISO DN32	0220 2032 0000 0301	44.30	38.40	60.00	20.00	64.00					
ISO DN40	0220 2040 0000 0301	48.30	44.30	60.00	20.00	64.00					
OD 1/4"	0220 3002 0000 0301	6.35	4.57	54.00	18.00	25.00					
OD 1/2"	0220 3005 0000 0301	12.70	9.40	54.00	18.00	25.00					
OD 3/4"	0220 3007 0000 0301	19.05	15.75	54.00	18.00	25.00					
OD 1"	0220 3010 0000 0301	25.40	22.10	54.00	18.00	50.50					
OD 1 1/2"	0220 3015 0000 0301	38.10	34.80	54.00	18.00	50.50					
OD 2"	0220 3020 0000 0301	50.80	47.50	60.00	20.00	64.00					

Note: Actual data to collect at www.LM-Biotech.ch. Specifications and design are subject to change without notice. Date of revision: 07/14



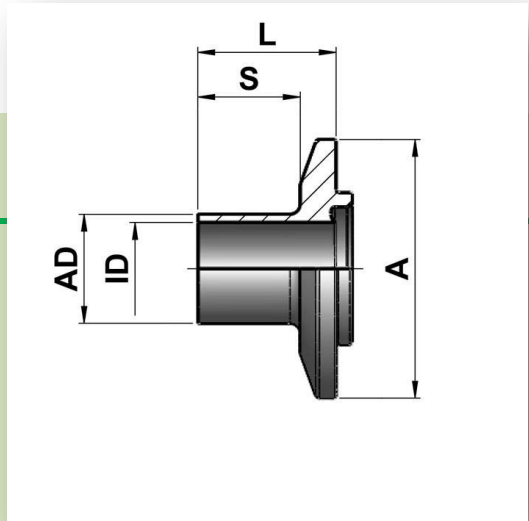
1.2.3 STERILE CLAMP CONNECTION BIOPLUS-C



1.2.3.1 STERILE CLAMP FERRULE FEMALE

Size	Article no.	Pipe-AD [mm]	Pipe-ID [mm]	Length L [mm]	Length S [mm]	Diamet. A [mm]	Weight [kg]				
DIN DN04	0221 1004 0000 0301	6.00	4.00	27.00	18.00	25.00	0.02				
DIN DN06	0221 1006 0000 0301	8.00	6.00	27.00	18.00	25.00	0.02				
DIN DN08	0221 1008 0000 0301	10.00	8.00	27.00	18.00	25.00	0.02				
DIN DN10	0221 1010 0001 0301	13.00	10.00	27.00	18.00	25.00	0.02				
DIN DN15	0221 1015 0000 0301	19.00	16.00	27.00	18.00	50.50	0.09				
DIN DN20	0221 1020 0000 0301	23.00	20.00	27.00	18.00	50.50	0.09				
DIN DN25	0221 1025 0000 0301	29.00	26.00	27.00	18.00	50.50	0.13				
DIN DN32	0221 1032 0000 0301	35.00	32.00	30.00	20.00	64.00	0.13				
DIN DN40	0221 1040 0000 0301	41.00	38.00	30.00	20.00	64.00	0.11				
ISO DN06	0221 2006 0000 0301	10.20	7.00	27.00	18.00	25.00	0.02				
ISO DN08	0221 2008 0000 0301	13.50	10.30	27.00	18.00	25.00	0.02				
ISO DN10	0221 2010 0000 0301	17.20	14.00	27.00	18.00	50.50	0.09				
ISO DN15	0221 2015 0000 0301	21.30	18.10	27.00	18.00	50.50	0.08				
ISO DN20	0221 2020 0000 0301	26.90	23.90	27.00	18.00	50.50	0.08				
ISO DN25	0221 2025 0000 0301	33.70	29.70	27.00	18.00	50.50	0.08				
ISO DN32	0221 2032 0000 0301	44.30	38.40	30.00	20.00	64.00	0.13				
ISO DN40	0221 2040 0000 0301	48.30	44.30	30.00	20.00	64.00	0.11				
OD 1/2"	0221 3005 0000 0301	12.70	9.40	27.00	18.00	25.00	0.02				
OD 3/4"	0221 3007 0000 0301	19.05	15.75	27.00	18.00	25.00	0.10				
OD 1"	0221 3010 0000 0301	25.40	22.10	27.00	18.00	50.50	0.09				
OD 1 1/2"	0221 3015 0000 0301	38.10	34.80	27.00	18.00	50.50	0.06				
OD 2"	0221 3020 0000 0301	50.80	47.50	30.00	20.00	64.00	0.08				

Note: Actual data to collect at www.LM-Biotech.ch. Specifications and design are subject to change without notice. Date of revision: 07/14



1.2.3 STERILE CLAMP CONNECTION BIOPLUS-C

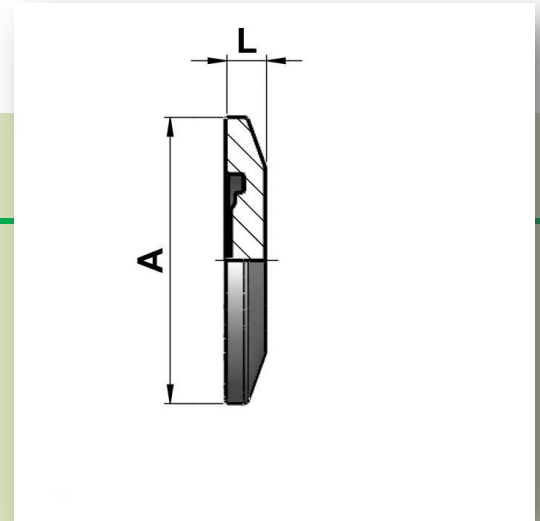
1.2.3.2 STERILE CLAMP FERRULE MALE

Size	Article no.	Pipe-AD [mm]	Pipe-ID [mm]	Length L [mm]	Length S [mm]	Diamet. A [mm]	Weight [kg]				
DIN DN04	0222 1004 0000 0301	6.00	4.00	27.00	18.00	25.00	0.02				
DIN DN06	0222 1006 0000 0301	8.00	6.00	27.00	18.00	25.00	0.03				
DIN DN08	0222 1008 0000 0301	10.00	8.00	27.00	18.00	25.00	0.03				
DIN DN10	0222 1010 0001 0301	13.00	10.00	27.00	18.00	25.00	0.03				
DIN DN15	0222 1015 0000 0301	19.00	16.00	27.00	18.00	50.50	0.10				
DIN DN20	0222 1020 0000 0301	23.00	20.00	27.00	18.00	50.50	0.10				
DIN DN25	0222 1025 0000 0301	29.00	26.00	27.00	18.00	50.50	0.09				
DIN DN32	0222 1032 0000 0301	35.00	32.00	30.00	20.00	64.00	0.14				
DIN DN40	0222 1040 0000 0301	41.00	38.00	30.00	20.00	64.00	0.13				
ISO DN06	0222 2006 0000 0301	10.20	7.00	27.00	18.00	25.00	0.02				
ISO DN08	0222 2008 0000 0301	13.50	10.30	27.00	18.00	25.00	0.03				
ISO DN10	0222 2010 0000 0301	17.20	14.00	27.00	18.00	50.50	0.10				
ISO DN15	0222 2015 0000 0301	21.30	18.10	27.00	18.00	50.50	0.10				
ISO DN20	0222 2020 0000 0301	26.90	23.90	27.00	18.00	50.50	0.10				
ISO DN25	0222 2025 0000 0301	33.70	29.70	27.00	18.00	50.50	0.10				
ISO DN32	0222 2032 0000 0301	44.30	38.40	30.00	20.00	64.00	0.15				
ISO DN40	0222 2040 0000 0301	48.30	44.30	30.00	20.00	64.00	0.14				
OD 1/2"	0222 3005 0000 0301	12.70	9.40	27.00	18.00	25.00	0.03				
OD 3/4"	0222 3007 0000 0301	19.05	15.75	27.00	18.00	25.00	0.11				
OD 1"	0222 3010 0000 0301	25.40	22.10	27.00	18.00	50.50	0.10				
OD 1 1/2"	0222 3015 0000 0301	38.10	34.80	27.00	18.00	50.50	0.08				
OD 2"	0222 3020 0000 0301	50.80	47.50	30.00	20.00	64.00	0.11				

Note: Actual data to collect at www.LM-Biotech.ch. Specifications and design are subject to change without notice. Date of revision: 07/14



1.2.3 STERILE CLAMP CONNECTION BIOPLUS-C



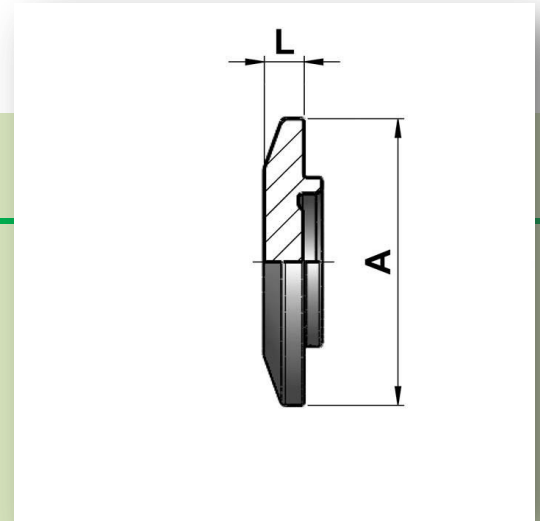
1.2.3.3 STERILE CLAMP FEMALE END CAP

Size	Article no.	Length L [mm]	Diamet. A [mm]								
DIN DN04	0223 1004 0000 0301	6.00	25.00								
DIN DN06	0223 1006 0000 0301	6.00	25.00								
DIN DN08	0223 1008 0000 0301	6.00	25.00								
DIN DN10	0223 1010 0000 0301	7.00	25.00								
DIN DN15	0223 1015 0000 0301	7.00	50.50								
DIN DN20	0223 1020 0000 0301	7.00	50.50								
DIN DN25	0223 1025 0000 0301	8.00	50.50								
DIN DN32	0223 1032 0000 0301	8.00	64.00								
DIN DN40	0223 1040 0000 0301	8.00	64.00								
ISO DN06	0223 2006 0000 0301	6.00	25.00								
ISO DN08	0223 2008 0000 0301	6.00	25.00								
ISO DN10	0223 2010 0000 0301	6.00	50.50								
ISO DN15	0223 2015 0000 0301	7.00	50.50								
ISO DN20	0223 2020 0000 0301	7.00	50.50								
ISO DN25	0223 2025 0000 0301	8.00	50.50								
ISO DN32	0223 2032 0000 0301	8.00	64.00								
ISO DN40	0223 2040 0000 0301	8.00	64.00								
OD 1/2"	0223 3005 0000 0301	6.00	25.00								
OD 3/4"	0223 3007 0000 0301	6.00	25.00								
OD 1"	0223 3010 0000 0301	8.00	50.50								
OD 1 1/2"	0223 3015 0000 0301	8.00	50.50								
OD 2"	0223 3020 0000 0301	8.00	64.00								

Note: Actual data to collect at www.LM-Biotech.ch. Specifications and design are subject to change without notice. Date of revision: 07/14



1.2.3 STERILE CLAMP CONNECTION BIOPLUS-C



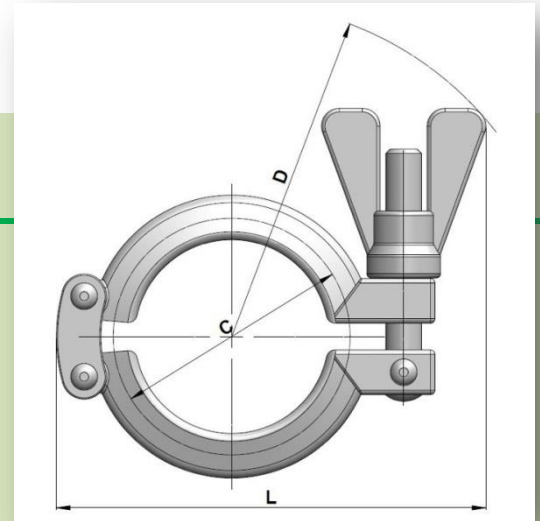
1.2.3.4 STERILE CLAMP MALE END CAP

Size	Article no.	Length L [mm]	Diamet. A [mm]								
DIN DN04	0224 1004 0000 0301	6.00	25.00								
DIN DN06	0224 1006 0000 0301	6.00	25.00								
DIN DN08	0224 1008 0000 0301	6.00	25.00								
DIN DN10	0224 1010 0000 0301	7.00	25.00								
DIN DN15	0224 1015 0000 0301	7.00	50.50								
DIN DN20	0224 1020 0000 0301	7.00	50.50								
DIN DN25	0224 1025 0000 0301	8.00	50.50								
DIN DN32	0224 1032 0000 0301	8.00	64.00								
DIN DN40	0224 1040 0000 0301	8.00	64.00								
ISO DN06	0224 2006 0000 0301	6.00	25.00								
ISO DN08	0224 2008 0000 0301	6.00	25.00								
ISO DN10	0224 2010 0000 0301	6.00	50.50								
ISO DN15	0224 2015 0000 0301	7.00	50.50								
ISO DN20	0224 2020 0000 0301	7.00	50.50								
ISO DN25	0224 2025 0000 0301	8.00	50.50								
ISO DN32	0224 2032 0000 0301	8.00	64.00								
ISO DN40	0224 2040 0000 0301	8.00	64.00								
OD 1/2"	0224 3005 0000 0301	6.00	25.00								
OD 3/4"	0224 3007 0000 0301	6.00	25.00								
OD 1"	0224 3010 0000 0301	8.00	50.50								
OD 1 1/2"	0224 3015 0000 0301	8.00	50.50								
OD 2"	0224 3020 0000 0301	8.00	64.00								

Note: Actual data to collect at www.LM-Biotech.ch. Specifications and design are subject to change without notice. Date of revision: 07/14



1.2.3 STERILE CLAMP CONNECTION BIOPLUS-C



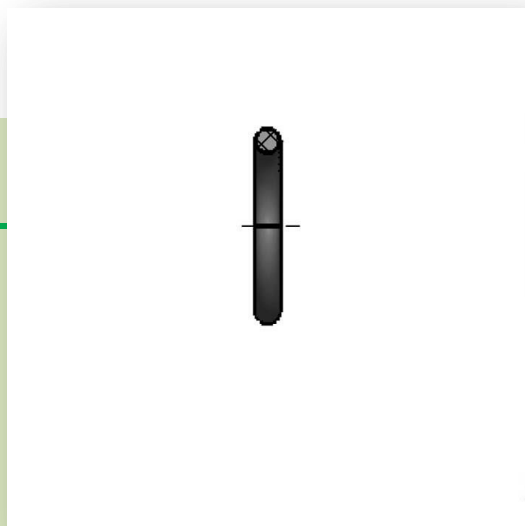
1.2.3.5 CLAMP

Size	Article no.	Length L [mm]	Diamet. C [mm]	Diamet. D [mm]							
DIN DN04	0191 1008 0000 0118	64.00	25.00	130.00							
DIN DN06	0191 1008 0000 0118	64.00	25.00	130.00							
DIN DN08	0191 1008 0000 0118	64.00	25.00	130.00							
DIN DN10	0191 1020 0000 0118	93.00	50.50	154.00							
DIN DN15	0191 1020 0000 0118	93.00	50.50	154.00							
DIN DN20	0191 1020 0000 0118	93.00	50.50	154.00							
DIN DN25	0191 1040 0000 0118	93.00	50.50	154.00							
DIN DN32	0191 1040 0000 0118	108.00	64.00	180.00							
DIN DN40	0191 1040 0000 0118	108.00	64.00	180.00							
ISO DN06	0191 1008 0000 0118	64.00	25.00	130.00							
ISO DN08	0191 1008 0000 0118	64.00	25.00	130.00							
ISO DN10	0191 1008 0000 0118	93.00	50.50	154.00							
ISO DN15	0191 1040 0000 0118	93.00	50.50	154.00							
ISO DN20	0191 1040 0000 0118	93.00	50.50	154.00							
ISO DN25	0191 1040 0000 0118	93.00	50.50	154.00							
ISO DN32	0191 1050 0000 0118	108.00	64.00	180.00							
ISO DN40	0191 1050 0000 0118	125.00	77.50	200.00							
OD 1/2"	0191 1008 0000 0118	64.00	25.00	130.00							
OD 3/4"	0191 1008 0000 0118	64.00	25.00	130.00							
OD 1"	0191 1040 0000 0118	93.00	50.50	154.00							
OD 1 1/2"	0191 1040 0000 0118	93.00	50.50	154.00							
OD 2"	0191 1050 0000 0118	125.00	77.50	200.00							

Note: Actual data to collect at www.LM-Biotech.ch. Specifications and design are subject to change without notice. Date of revision: 07/14



1.2.3 STERILE CLAMP CONNECTION BIOPLUS-C



1.2.3.6 O-RING

Size	Article no. EPDM (EL-Code)	Article no. EPDM (LM-Code)	Article no. PTFE (EL-Code)	Article no. PTFE (LM-Code)	Article no. Silicone (EL-Code)	Article no. Silicone (LM-Code)
DIN DN04	0291 1004 0000 1000	LM01.D04.00.EP.0	0291 1004 0000 1010	LM01.D04.00.FE.3	0291 1004 0000 1030	LM01.D04.00.SI.1
DIN DN06	0291 1006 0000 1000	LM01.D06.00.EP.0	0291 1006 0000 1010	LM01.D06.00.FE.3	0291 1006 0000 1030	LM01.D06.00.SI.1
DIN DN08	0291 1008 0000 1000	LM01.D08.00.EP.0	0291 1008 0000 1010	LM01.D08.00.FE.3	0291 1008 0000 1030	LM01.D08.00.SI.1
DIN DN10	0291 1010 0000 1000	LM01.D10.00.EP.0	0291 1010 0000 1010	LM01.D10.00.FE.3	0291 1010 0000 1030	LM01.D10.00.SI.1
DIN DN15	0291 1015 0000 1000	LM01.D15.00.EP.0	0291 1015 0000 1010	LM01.D15.00.FE.3	0291 1015 0000 1030	LM01.D15.00.SI.1
DIN DN20	0291 1020 0000 1000	LM01.D20.00.EP.0	0291 1020 0000 1010	LM01.D20.00.FE.3	0291 1020 0000 1030	LM01.D20.00.SI.1
DIN DN25	0291 1025 0000 1000	LM01.D25.00.EP.0	0291 1025 0000 1010	LM01.D25.00.FE.3	0291 1025 0000 1030	LM01.D25.00.SI.1
DIN DN32	0291 1032 0000 1000	LM01.D32.00.EP.0	0291 1032 0000 1010	LM01.D32.00.FE.3	0291 1032 0000 1030	LM01.D32.00.SI.1
DIN DN40	0291 1040 0000 1000	LM01.D40.00.EP.0	0291 1040 0000 1010	LM01.D40.00.FE.3	0291 1040 0000 1030	LM01.D40.00.SI.1
DIN DN50	0291 1050 0000 1000	LM01.D50.00.EP.0	0291 1050 0000 1010	LM01.D50.00.FE.3	0291 1050 0000 1030	LM01.D50.00.SI.1
DIN DN65	0291 1065 0000 1000	LM01.D65.00.EP.0	0291 1065 0000 1010	LM01.D65.00.FE.3	0291 1065 0000 1030	LM01.D65.00.SI.1
DIN DN80	0291 1080 0000 1000	LM01.D80.00.EP.0	0291 1080 0000 1010	LM01.D80.00.FE.3	0291 1080 0000 1030	LM01.D80.00.SI.1
DIN DN100	0291 1100 0000 1000	LM01.D100.00.EP.0	0291 1100 0000 1010	LM01.D100.00.FE.3	0291 1100 0000 1030	LM01.D100.00.SI.1
ISO DN06	0291 2006 0000 1000	LM01.N06.00.EP.0	0291 2006 0000 1010	LM01.N06.00.FE.3	0291 2006 0000 1030	LM01.N06.00.SI.1
ISO DN08	0291 2008 0000 1000	LM01.N08.00.EP.0	0291 2008 0000 1010	LM01.N08.00.FE.3	0291 2008 0000 1030	LM01.N08.00.SI.1
ISO DN10	0291 2010 0000 1000	LM01.N10.00.EP.0	0291 2010 0000 1010	LM01.N10.00.FE.3	0291 2010 0000 1030	LM01.N10.00.SI.1
ISO DN15	0291 2015 0000 1000	LM01.N15.00.EP.0	0291 2015 0000 1010	LM01.N15.00.FE.3	0291 2015 0000 1030	LM01.N15.00.SI.1
ISO DN20	0291 2020 0000 1000	LM01.N20.00.EP.0	0291 2020 0000 1010	LM01.N20.00.FE.3	0291 2020 0000 1030	LM01.N20.00.SI.1
ISO DN25	0291 2025 0000 1000	LM01.N25.00.EP.0	0291 2025 0000 1010	LM01.N25.00.FE.3	0291 2025 0000 1030	LM01.N25.00.SI.1
ISO DN32	0291 2032 0000 1000	LM01.N32.00.EP.0	0291 2032 0000 1010	LM01.N32.00.FE.3	0291 2032 0000 1030	LM01.N32.00.SI.1
ISO DN40	0291 2040 0000 1000	LM01.N40.00.EP.0	0291 2040 0000 1010	LM01.N40.00.FE.3	0291 2040 0000 1030	LM01.N40.00.SI.1
ISO DN50	0291 2050 0000 1000	LM01.N50.00.EP.0	0291 2050 0000 1010	LM01.N50.00.FE.3	0291 2050 0000 1030	LM01.N50.00.SI.1
ISO DN65	0291 2065 0000 1000	LM01.N65.00.EP.0	0291 2065 0000 1010	LM01.N65.00.FE.3	0291 2065 0000 1030	LM01.N65.00.SI.1
ISO DN80	0291 2080 0000 1000	LM01.N80.00.EP.0	0291 2080 0000 1010	LM01.N80.00.FE.3	0291 2080 0000 1030	LM01.N80.00.SI.1
ISO DN100	0291 2100 0000 1000	LM01.N100.00.EP.0	0291 2100 0000 1010	LM01.N100.00.FE.3	0291 2100 0000 1030	LM01.N100.00.SI.1
OD 1/2"	0291 3005 0000 1000	LM01.K05.00.EP.0	0291 3005 0000 1010	LM01.K05.00.FE.3	0291 3005 0000 1030	LM01.K05.00.SI.1
OD 3/4"	0291 3007 0000 1000	LM01.K07.00.EP.0	0291 3007 0000 1010	LM01.K07.00.FE.3	0291 3007 0000 1030	LM01.K07.00.SI.1
OD 1"	0291 3010 0000 1000	LM01.K10.00.EP.0	0291 3010 0000 1010	LM01.K10.00.FE.3	0291 3010 0000 1030	LM01.K10.00.SI.1
OD 1 1/2"	0291 3015 0000 1000	LM01.K15.00.EP.0	0291 3015 0000 1010	LM01.K15.00.FE.3	0291 3015 0000 1030	LM01.K15.00.SI.1
OD 2"	0291 3020 0000 1000	LM01.K20.00.EP.0	0291 3020 0000 1010	LM01.K20.00.FE.3	0291 3020 0000 1030	LM01.K20.00.SI.1
OD 3"	0291 3030 0000 1000	LM01.K30.00.EP.0	0291 3030 0000 1010	LM01.K30.00.FE.3	0291 3030 0000 1030	LM01.K30.00.SI.1
OD 4"	0291 3040 0000 1000	LM01.K40.00.EP.0	0291 3040 0000 1010	LM01.K40.00.FE.3	0291 3040 0000 1030	LM01.K40.00.SI.1

Note: Actual data to collect at www.LM-Biotech.ch. Specifications and design are subject to change without notice. Date of revision: 07/14